

FELLER GMBH

A-2525 GUENSELSDORF, AUSTRIA - TEL.: .. 43(2256) 62 32 50 - FAX: .. 43 (2256) 62 32 57
e-mail: sales@feller-at.com <http://www.feller-at.com>

Description: VIIG-H05VVF3G100-C13W/2,50M GR7001

Rating of cord set: 10A/250V AC

Cord-Set Approval: Korea, Russia

1. PLUG: Type VIIG

Molded plug according to : IEC60884, CEE (7) VII, KSC8305
Rated current and voltage : 16A, 250 V AC
Plugbase : thermoplastic Polyester (PBTP) GFR
Construction : double insulated
Pins : brass, nickel-plated, crimped
Pins outer diameter : 4,8 mm
Outer mold : PVC compound, hardness Shore A75-77
Approvals : VDE, ÖVE, CEBEC, KEMA, S-INTERTEK, D, N, FI, NF, IMQ, EAC, KTL

2. CORD: Type H05VVF3G1,00mm² GREY RAL7001

Flexible cord according to : ÖVE K41a; EN50525; AS 3191, IEC 60227
Marked : *JF*<ÖVE><HAR>H05VVF3G1,0mm2*N1095*CE*CCC 60227
IEC 53(RVV) 300/500V 3X1,0*KTL SW01001-2001A
Number of cores : 3
Conductor construction : 31x0,20 mm O.D. 1,25mm
Conductor insulation : Extruded PVC O.D. 2,40mm
Jacket : Extruded PVC O.D. 6,80mm +/- 0,20mm
Temperature rating : -20°C up to +70°C
Resistance of conductors : max. 19,5 Ω/km
Dielectric strength : 2kVac, 1min.
Insulation resistance : >0,010MΩ/km
Color of conductors : yellow/green, brown, blue
Approvals : HARMONIZED, ÖVE, KTL

3. CONNECTOR: Type C13W

Molded connector according to : EN/IEC60320/C13
Rated current and voltage : 10 A, 250 V AC
Construction : double insulation, contacts crimped
Contacts of the connection : self-adjusting phosphor bronze CuSn6
Inner insulation : PPO GFR
Outer mold : PVC compound, hardness Shore A 75-77
Approvals : CE, ENEC, KTL, EAC

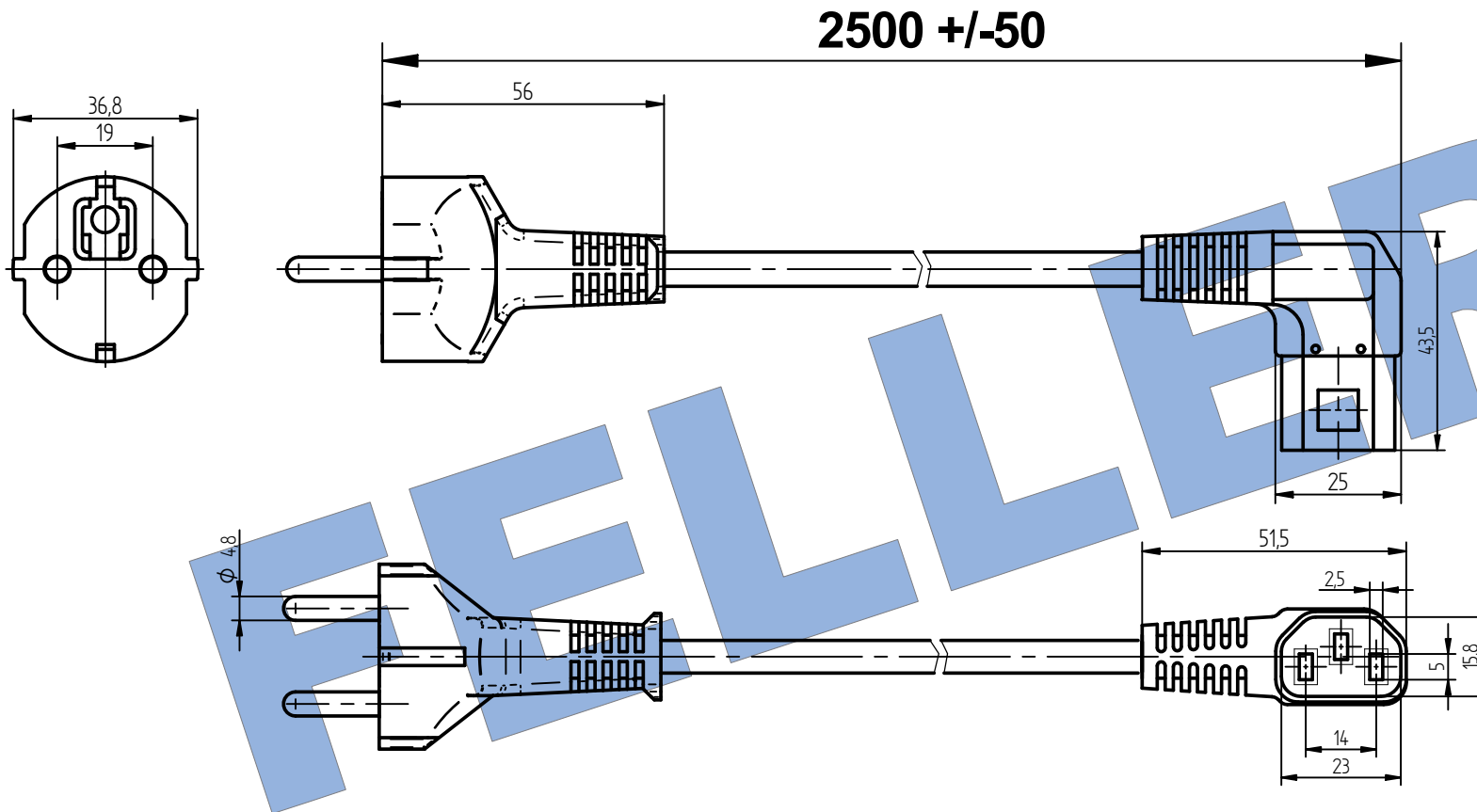
Environmental conformity : EU-Directive 2012/19/EU (WEEE)
EU-Directive 2011/65/EU
EU-Directive 1907/2006 EG (REACH -compliant)

TESTING

Electrical testing : 100%
Visual inspection : 100%
High pot test wire to wire : 3kVac for 2 sec.
Continuity test : 25Aac to grounding / 20Aac to line and neutral
Polarity test : yes
Skin high pot test : 6kVac line to skin

design subject to change without prior notice

Date of issue:	February, 2018		
Rev: 0	0	Orig:	lg



1.
VIIG

2.
H05VVF3G1,00

3.
C13W

Feller Type: VIIG-H05VVF3G100-C13W/2,50M GR7001

"RoHS compliant"

20.02.2018 | lgSG

All dimensions in mm

FELLER 

A-2525 Günselsdorf, Austria

Telefon 0043-2256-62325-0

Fax: 0043-2256-62325-7

email: sales@feller-at.com

http://www.feller-at.com