

GN 723.4 | Knurled control knobs

Aluminium



- 1
- 2
- 3
- 4
- 5
- 6
- 7
- 8
- 9
- 10
- 11
- 12
- 13
- 14
- 15
- 16
- 17
- 18

MATERIAL

Knurled anodised aluminium in natural colour.

STANDARD EXECUTIONS

H8 reamed hole. Assembly by means of a supplied stainless steel transversal grub screw with hexagon socket.

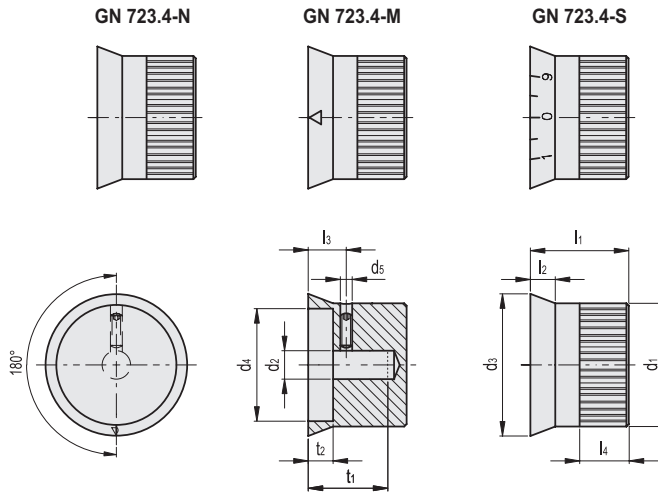
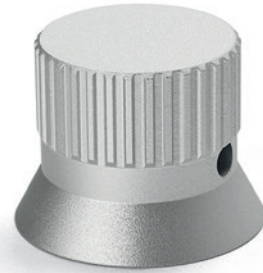
- **GN 723.4-N**: plain knob.
 - **GN 723.4-M**: knob with triangular index.
 - **GN 723.4-S**: knob with standard graduation, 20 marks, numbering from 0 to 9 increases as the knob is turned clockwise.
- Laser-engraved precision graduations.

ACCESSORIES

Flanges are available to optimise use of GN 723.4 knurled knobs GN 723.3 (see page 601).

SPECIAL EXECUTIONS ON REQUEST

Different Graduations (see page 611).



GN 723.4-N

Code	Description	d1	d2 H8	d5	d3-0.2	d4	l1	l2	l3	l4	t1	t2	⚖️
GN.38472	GN 723.4-27-B6-N	27	6	M4	33.5	23.5	25.5	7.5	10.5	12.5	23.5	7.5	40
GN.38482	GN 723.4-34-B6-N	34	6	M5	41	29.5	29.5	9.5	13.5	13	26.5	9.5	60
GN.38487	GN 723.4-34-B8-N	34	8	M5	41	29.5	29.5	9.5	13.5	13	26.5	9.5	53
GN.38492	GN 723.4-42-B8-N	42	8	M5	49.5	37.5	33.5	10.5	15.5	15	30.5	11.5	100
GN.38497	GN 723.4-42-B10-N	42	10	M5	49.5	37.5	33.5	10.5	15.5	15	30.5	11.5	80

GN 723.4-M

Code	Description	d1	d2 H8	d5	d3-0.2	d4	l1	l2	l3	l4	t1	t2	⚖️
GN.38471	GN 723.4-27-B6-M	27	6	M4	33.5	23.5	25.5	7.5	10.5	12.5	23.5	7.5	40
GN.38481	GN 723.4-34-B6-M	34	6	M5	41	29.5	29.5	9.5	13.5	13	26.5	9.5	60
GN.38486	GN 723.4-34-B8-M	34	8	M5	41	29.5	29.5	9.5	13.5	13	26.5	9.5	53
GN.38491	GN 723.4-42-B8-M	42	8	M5	49.5	37.5	33.5	10.5	15.5	15	30.5	11.5	100
GN.38496	GN 723.4-42-B10-M	42	10	M5	49.5	37.5	33.5	10.5	15.5	15	30.5	11.5	80

GN 723.4-S

Code	Description	d1	d2 H8	d5	d3-0.2	d4	l1	l2	l3	l4	t1	t2	⚖️
GN.38473	GN 723.4-27-B6-S	27	6	M4	33.5	23.5	25.5	7.5	10.5	12.5	23.5	7.5	40
GN.38483	GN 723.4-34-B6-S	34	6	M5	41	29.5	29.5	9.5	13.5	13	26.5	9.5	53
GN.38488	GN 723.4-34-B8-S	34	8	M5	41	29.5	29.5	9.5	13.5	13	26.5	9.5	66
GN.38493	GN 723.4-42-B8-S	42	8	M5	49.5	37.5	33.5	10.5	15.5	15	30.5	11.5	100
GN.38498	GN 723.4-42-B10-S	42	10	M5	49.5	37.5	33.5	10.5	15.5	15	30.5	11.5	80

Control elements