

19mm IP65 Vandal Resistant Push Button Switch Flat Momentary Nickel-Plated Brass



DESCRIPTION

This nickel-plated brass bodied anti-vandal switch is designed to be resistant to accidental damage and vandalism.

DISTINCTIVE FEATURES

- IP65 Rated
- Max. switching current 2A DC
- Switching voltage 36V DC
- Momentary Off/(On) operation
- SPST Contacts
- Mounting diameter 19mm

APPLICATIONS

Ideal for use in potentially hostile settings such as public areas, industrial environments and building management applications. Suitable for installation in kiosks, lifts, pedestrian crossings and ticket machines.

2A
DC

36V
DC

Ø
19mm

Flat
Button

Nickel-
plated
Brass

Tamper
Proof



ELECTRICAL SPECIFICATION

Switching DC Current Rating	2A
Switching DC Voltage Rating	36V
Contact Resistance	≤ 50mΩ
Insulation Resistance	≥ 1000MΩ
Dielectric Strength	2000V AC



GENERAL SPECIFICATION

Size	Ø 19mm
Type	Vandal resistant push button switch
Button Style	Flat
Operation	Momentary Off/(On)
Contacts	SPST
Operating force (max)	4N
Mechanical Life	1,000,000 Cycles
Electrical Life (@ Rated Load)	200,000 Cycles
Panel Thickness	1 to 6mm
Panel Cutout	19mm
Torque	0.8Nm



MATERIALS

Housing	Nickel-plated brass
Button	Stainless Steel
Base	PBT
Contact	Silver Alloy



ENVIRONMENTAL/OPERATING SPECIFICATION

Operating Temperature	-20°C to +70°C
Operating Humidity	45 to 85% RH(Non condensing)
IP Rating	IP65 *
Soldering	320°C (or 30W soldering iron) no more than 2s
Vibration Resistance	50Hz, amplitude about 1.2mm
Shock Resistance	>10g

* IP65 is for enclosure only



TERMINALS

Type	Screw Terminals
------	-----------------



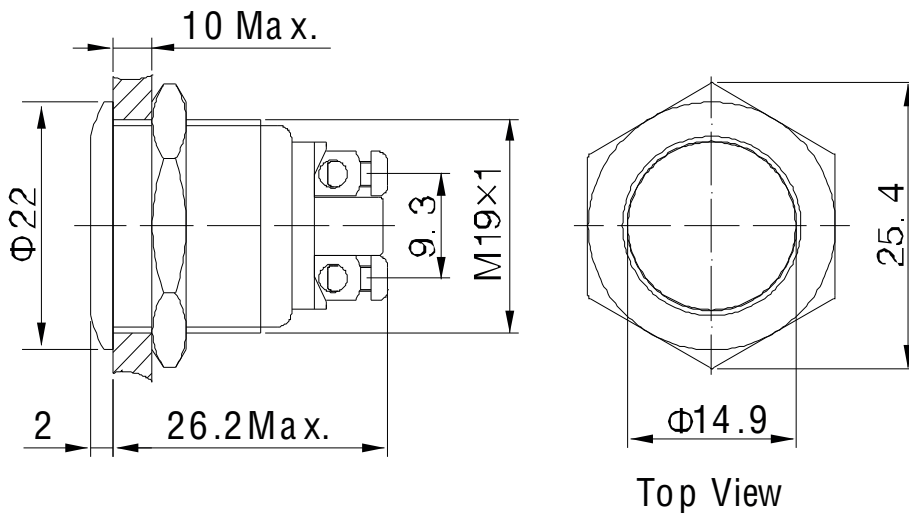
OPTIONS

Shape	e.g. Round, square
Terminals	e.g. Pin or screw
Button Colour	e.g. red, green, yellow, orange, blue, white, black
Body Material	Nickel-plated brass, stainless steel, zinc-alloy
Protection	e.g. IP65, IP67



DIMENSIONS/DRAWINGS

Dimensions	mm
Panel Thickness	1 to 6mm



PART NUMBER TABLE

Part Number	EAN	UNSPSC	Country of origin
52-4582	5053556005949	39122244	China

R-TECH

Tried & trusted technology

Important Notice: This data sheet and its contents (the "Information") belong to Rapid Electronics Limited or are licensed to it. No licence is granted for the use of it other than for information purposes in connection with the products to which it relates. No licence of any intellectual property rights is granted. The Information is subject to change without notice and replaces all data sheets previously supplied. The Information supplied is believed to be accurate but Rapid Electronics Limited assumes no responsibility for its accuracy or completeness, any error in or omission from it or for any use made of it. Users of this data sheet should check for themselves the Information and the suitability of the products for their purpose and not make any assumptions based on information included or omitted. Liability for loss or damage resulting from any reliance on the Information or use of it (including liability resulting from negligence or where Rapid Electronics Limited were aware of the possibility of such loss or damage arising) is excluded. This will not operate to limit or restrict Rapid Electronics Limited's liability for death or personal injury resulting from its negligence.