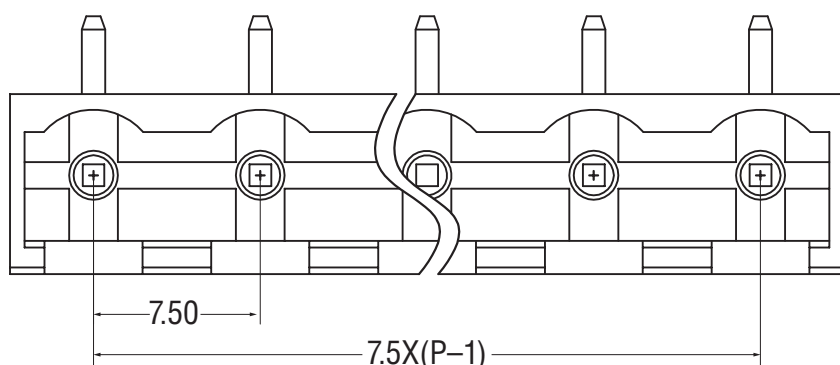
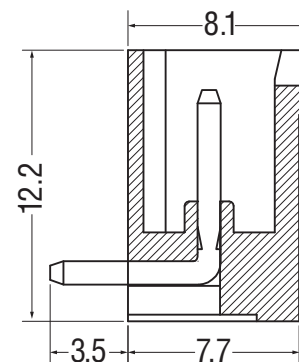
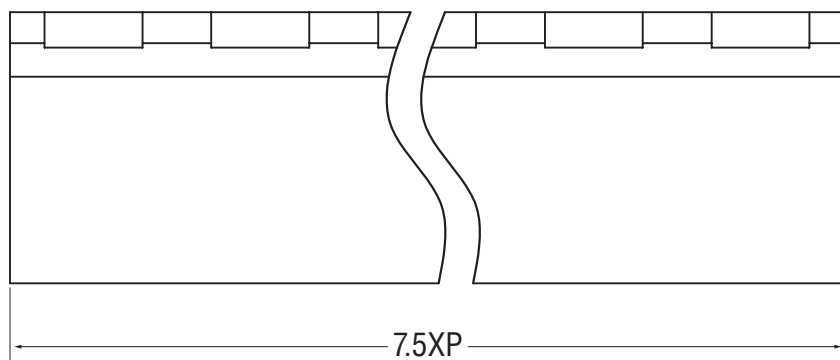
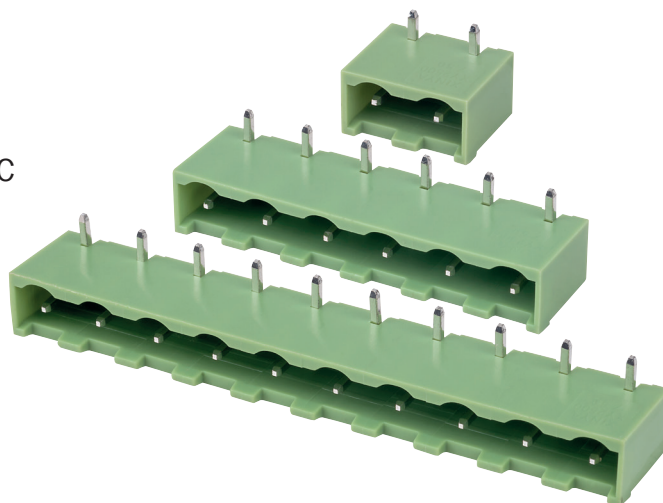


7.5mm Header Right Angle Closed 15A Terminal Blocks

Pitch: 7.5mm
 Rated voltage/current: 300V/15A
 Operation temperatures: -40°C to +105°C
 Withstand voltage: 2500V AC for 60s
 Insulation resistance: 500MΩ at 500V DC

Housing colour: Green
 Pin header: Tin plated brass
 Wave soldering: 260°C for 5s
 Hand soldering: 350°C for 10s



Order code	Poles
21-5400	2
21-5401	3
21-5402	4
21-5403	5
21-5404	6
21-5405	8
21-5406	10
21-5407	12