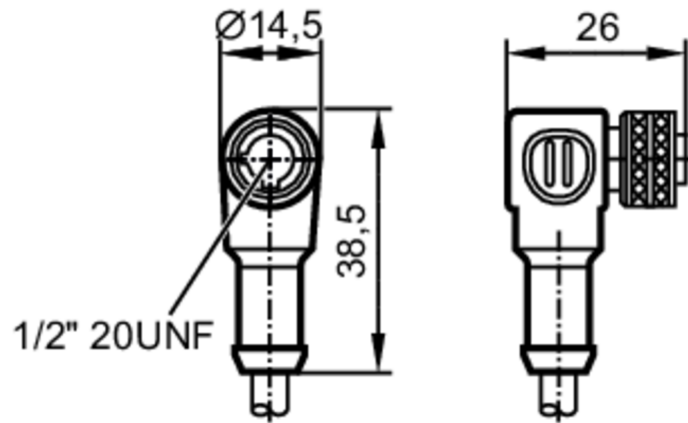


# E12286



## Connecting cable with socket

ADOAA030MSS0010H03



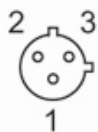
Application		
Special feature	Halogen-free; Drag chain suitability	
Electrical data		
Operating voltage [V]	< 250 AC / < 300 DC	
Operating conditions		
Ambient temperature [°C]	-25...90	
Protection	IP 67	
Mechanical data		
Weight [g]	385.5	
Dimensions [mm]	26 x 14.5 x 38.5	
Materials	TPU black	
Material nut	brass, nickel-plated	
Drag chain suitability	yes	
Drag chain suitability	bending radius for flexible use	min. 10 x cable diameter
	travel speed	max. 3.3 m/s for a horizontal travel length of 5 m and max. acceleration of 5 m/s <sup>2</sup>
	bending cycles	> 2 Mio.
	torsional strain	± 180 °/m
Remarks		
Pack quantity	1 pcs.	
Electrical connection		
Cable: 10 m, PUR, Halogen-free, black, Ø 5.2 mm; 3 x 0.5 mm <sup>2</sup> (64 x Ø 0.1 mm )		
Electrical connection - socket		
Connector: 1 x 1/2", angled; Moulded body: TPU; Locking: brass, nickel-plated		

# E12286

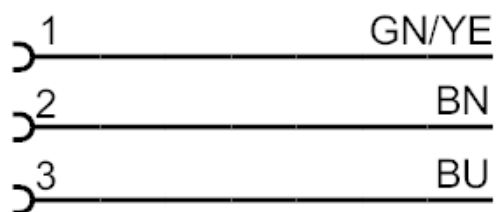


## Connecting cable with socket

AD0AA030MSS0010H03



### Connection



Core colours :

BN = brown

BU = blue

GN/YE = green/yellow