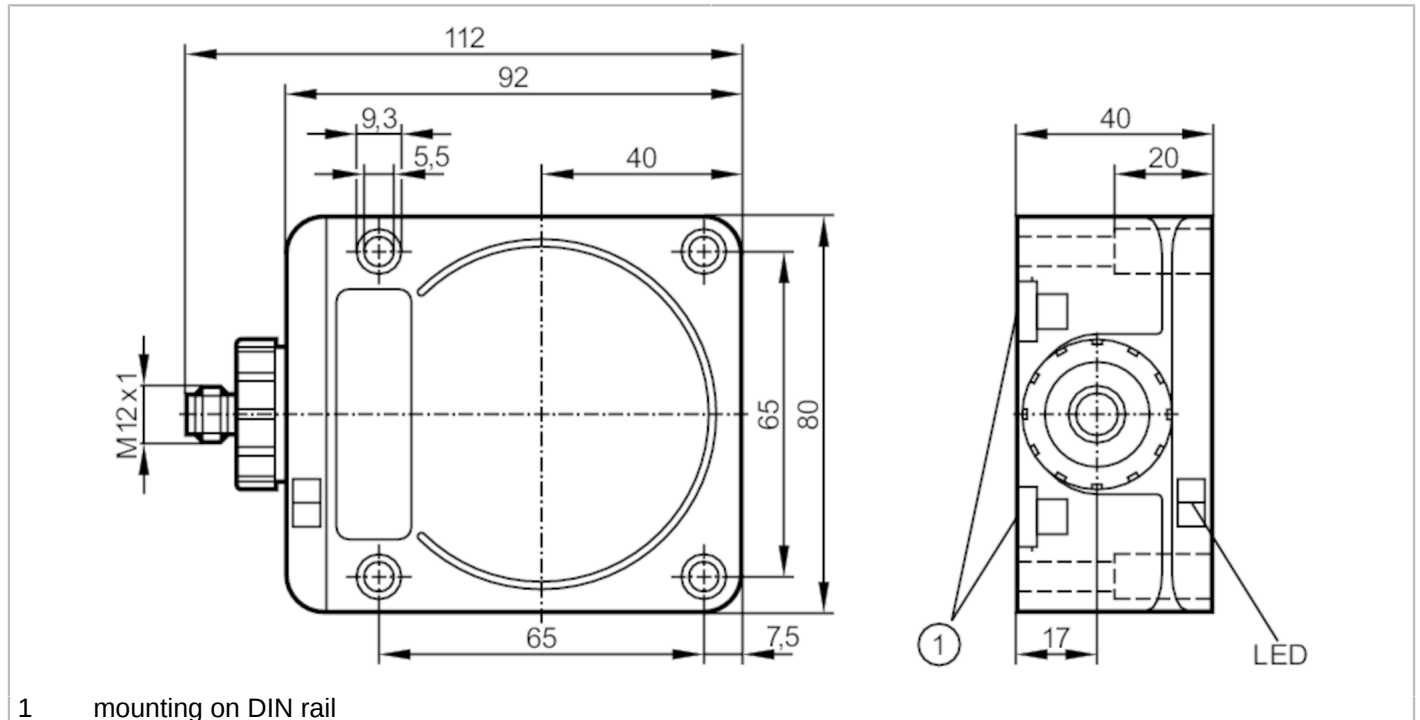


ID9922



Inductive sensor

IDC2050BARKG/UP/US-100 RT



Product characteristics

Electrical design		PNP/NPN
Output function		normally open
Sensing range	[mm]	50
Housing		rectangular
Dimensions	[mm]	92 x 80 x 40

Electrical data

Operating voltage	[V]	10...55 DC
Protection class		II
Reverse polarity protection		yes

Outputs

Electrical design		PNP/NPN
Output function		normally open
Max. voltage drop switching output DC	[V]	4.6
Minimum load current	[mA]	4
Max. leakage current	[mA]	0.6
Permanent current rating of switching output DC	[mA]	400
Switching frequency DC	[Hz]	90
Short-circuit protection		yes
Type of short-circuit protection		pulsed
Overload protection		yes

ID9922

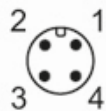


Inductive sensor

IDC2050BARKG/UP/US-100 RT

Detection zone		
Sensing range	[mm]	50
Operating distance	[mm]	0...40.5; (mounted flush with mild steel (ST37))
Accuracy / deviations		
Correction factor		steel: 1 / stainless steel: 0.7 / brass: 0.4 / aluminium: 0.3 / copper: 0.2
Hysteresis	[% of Sr]	3...20
Switch point drift	[% of Sr]	-15...15
Operating conditions		
Ambient temperature	[°C]	-25...70
Protection		IP 67
Tests / approvals		
EMC		EN 60947-5-2
		EN 55011 class B
MTTF	[years]	1631
Mechanical data		
Weight	[g]	399
Housing		rectangular
Mounting		flush mountable
Type of mounting		rail; (TH35 (EN 60715))
Dimensions	[mm]	92 x 80 x 40
Materials		brass nickel-plated; PPE
Displays / operating elements		
Display	switching status	1 x LED, red
Accessories		
Accessories (supplied)		sealing plug: 1
Remarks		
Pack quantity		1 pcs.
Electrical connection - plug		

Connector: 1 x M12



ID9922



Inductive sensor

IDC2050BARKG/UP/US-100 RT

Connection

