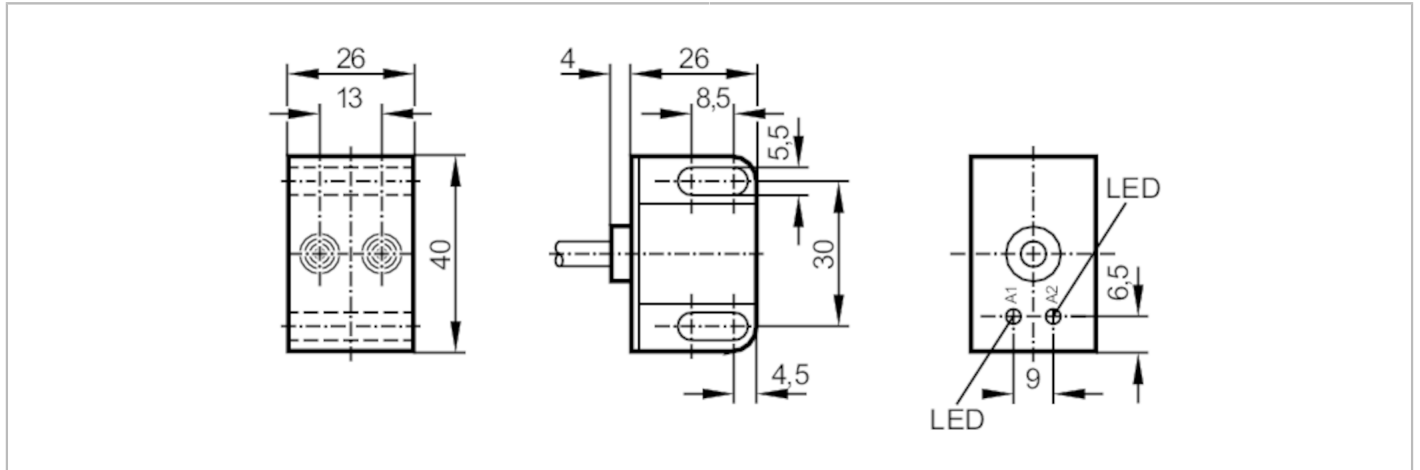


IN5424



Inductive dual sensor for valve actuators

IND3004UBPKG/2M/US-100-DPV



Product characteristics

Electrical design		PNP
Output function		2 x normally open
Sensing range	[mm]	4
Housing		rectangular
Dimensions	[mm]	40 x 26 x 26

Application

Special feature		Magnetic-field immune
Magnetic-field immune		yes

Electrical data

Operating voltage	[V]	10...36 DC
Current consumption	[mA]	< 15
Protection class		II
Reverse polarity protection		yes

Outputs

Electrical design		PNP
Output function		2 x normally open
Max. voltage drop switching output DC	[V]	2.5
Permanent current rating of switching output DC	[mA]	250
Switching frequency DC	[Hz]	1400
Short-circuit protection		yes
Type of short-circuit protection		pulsed
Overload protection		yes

Detection zone

Sensing range	[mm]	4
Real sensing range S_r	[mm]	$4 \pm 10\%$
Operating distance	[mm]	0...3.25

IN5424



Inductive dual sensor for valve actuators

IND3004UBPKG/2M/US-100-DPV

Accuracy / deviations

Correction factor		steel: 1 / stainless steel: 0.7 / brass: 0.5 / aluminium: 0.4 / copper: 0.3
Hysteresis	[% of Sr]	1...15
Switch point drift	[% of Sr]	-10...10

Operating conditions

Ambient temperature	[°C]	-25...80
Protection		IP 67

Tests / approvals

EMC		EN 60947-5-2
MTTF	[years]	1070

Mechanical data

Weight	[g]	145
Housing		rectangular
Mounting		non-flush mountable
Dimensions	[mm]	40 x 26 x 26
Materials		PC

Displays / operating elements

Display	switching status	2 x LED, yellow
---------	------------------	-----------------

Remarks

Pack quantity		1 pcs.
---------------	--	--------

Electrical connection - plug

Cable: 2 m, PVC; 4 x 0.34 mm²

Connector: 1 x M12



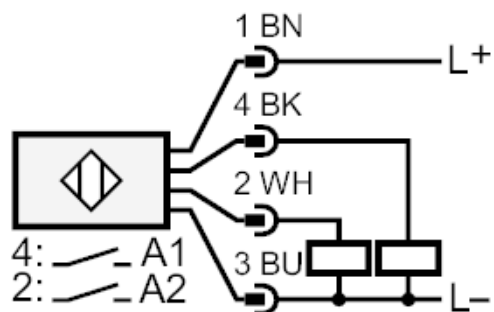
IN5424



Inductive dual sensor for valve actuators

IND3004UBPKG/2M/US-100-DPV

Connection



Core colours :

BN =	brown
BU =	blue
BK =	black
WH =	white