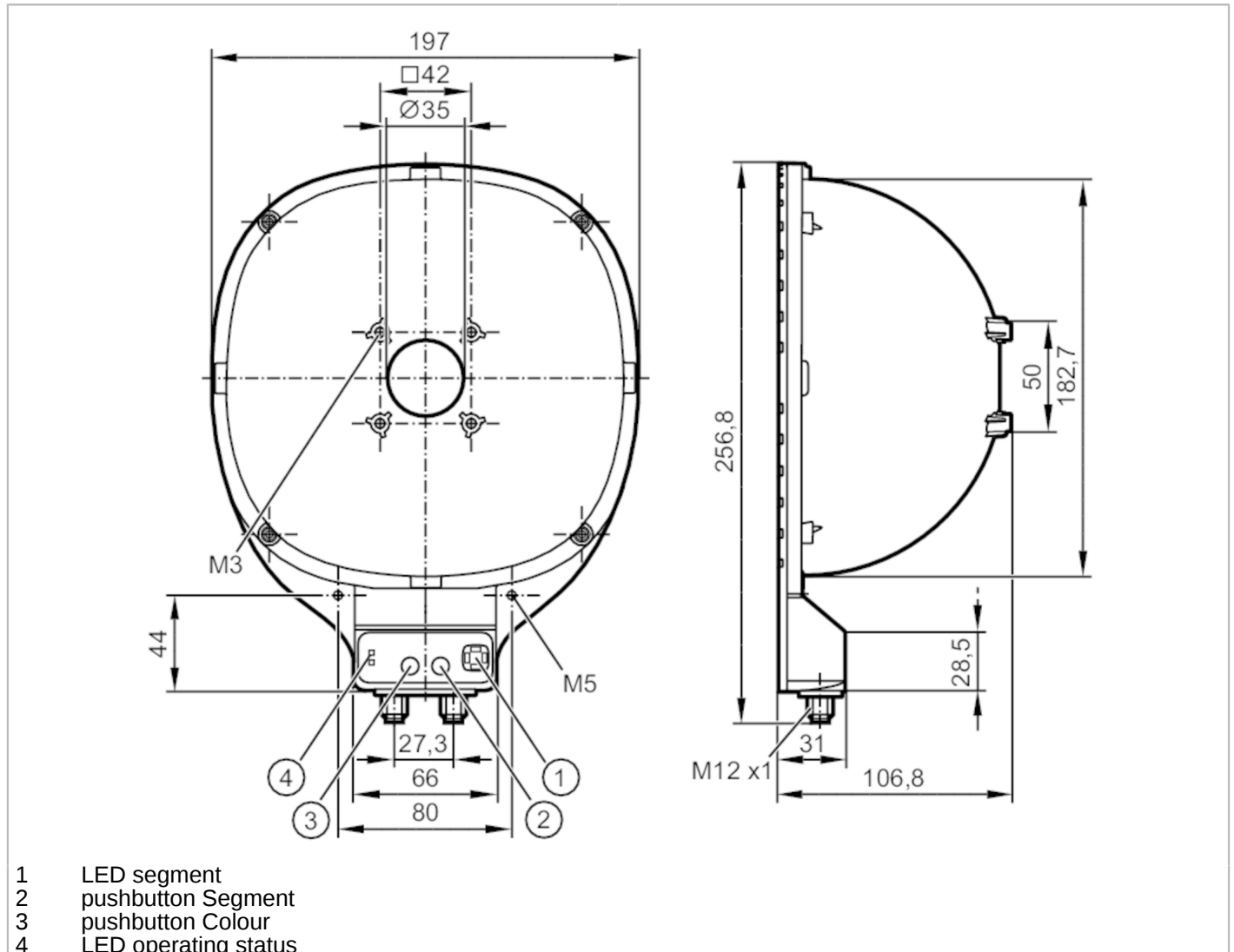


O2D933



External illumination

Dome Light 130 CY RD/ US



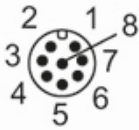
Product characteristics	
Type of light	red light; cyan light
Dimensions [mm]	256.8 x 197 x 106.7
Application	
Illuminated field [mm]	130 x 130
Design	Dome
Type of operation	normal light intensity (permanent operation possible); High light intensity (pulsed)
Electrical data	
Operating voltage [V]	24 DC
Current consumption [mA]	operating mode "permanent operation": 460; operating mode "high light intensity": 3420
Protection class	III; (PELV)
Type of light	red light; cyan light
Inputs / outputs	
Number of inputs and outputs	Number of digital inputs: 1

O2D933



External illumination

Dome Light 130 CY RD/ US

Inputs		
Number of digital inputs	1	
Trigger	24 V PNP/NPN; external	
Operating conditions		
Ambient temperature [°C]	-10...40	
Storage temperature [°C]	-20...60	
Protection	IP 65	
Tests / approvals		
Photobiological safety	risk group 1; (DIN EN 62471)	
Mechanical data		
Weight [g]	771	
Dimensions [mm]	256.8 x 197 x 106.7	
Materials	Housing: aluminium black anodised; Cover: ABS	
Tightening torque [Nm]	0.5...1.5	
Displays / operating elements		
Display	operation	1 x LED, green
	operating mode "high light intensity"	1 x LED, red
	LED segment	1 x LED, white
Remarks		
Pack quantity	1 pcs.	
Electrical connection - parameter setting		
1:	operating mode "high light intensity"	
2:	colour 2	
3:	GND	
4:	LED segment 1	
5:	LED segment 2	
6:	LED segment 3	
7:	LED segment 4	
8:	deactivate buttons	
Connector: M12		
		



External illumination

Dome Light 130 CY RD/ US

Electrical connection - voltage supply

- 1: U+
- 2: trigger input NPN
- 3: GND
- 4: trigger input PNP
- 5: dimmer

Connector: M12

