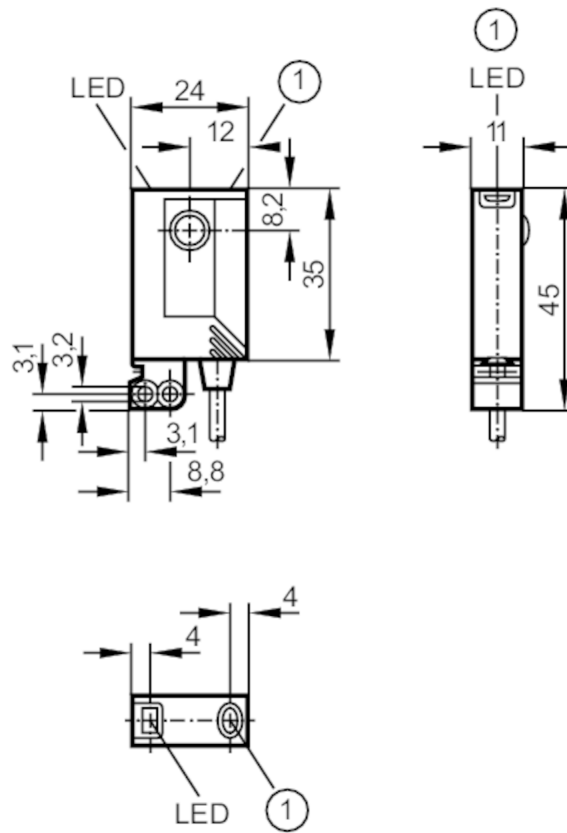




Through-beam sensor transmitter

OJS-OOKG/FO/0,15M/US



1 pushbutton without function



Product characteristics

Type of light	red light
Housing	rectangular
Dimensions [mm]	35 x 24 x 11

Application

Special feature	Gold-plated contacts
Function principle	Through-beam sensor

Electrical data

Operating voltage [V]	10...30 DC
Current consumption [mA]	< 19
Protection class	III
Reverse polarity protection	yes
Type of light	red light
Wave length [nm]	660

Outputs


Overload protection	yes
---------------------	-----

OJ5065



Through-beam sensor transmitter

OJS-00KG/FO/0,15M/US

Detection zone	
Transmitter / receiver	transmitter
Range [m]	< 10
Max. light spot diameter [mm]	1000
Light spot dimensions refer to	at maximum range
Operating conditions	
Ambient temperature [°C]	-25...60
Protection	IP 67
Tests / approvals	
EMC	EN 60947-5-2
MTTF [years]	1773
Mechanical data	
Weight [g]	52.8
Housing	rectangular
Dimensions [mm]	35 x 24 x 11
Materials	housing: ABS; fixture: diecast zinc; LED window: SEPS; pushbutton: SEPS; connector body: Hytrel 8068; connector thread: stainless steel (1.4404 / 316L)
Lens material	glass
Lens alignment	front lens
Material nut	stainless steel (1.4404 / 316L)
Displays / operating elements	
Display	operation 1 x LED, green
Accessories	
Accessories (supplied)	Basic clip: 1 x, E20964 screws: 2 x x M3 x 16 spring washers: 2 x Nuts: 2 x
Remarks	
Remarks	operating voltage "supply class 2" according to cULus
Pack quantity	1 pcs.
Electrical connection	
Cable: 0.15 m, PVC	
Connector: 1 x M12; Locking: stainless steel (1.4404 / 316L); Contacts: gold-plated	
	

OJ5065



Through-beam sensor transmitter

OJS-00KG/FO/0,15M/US

Connection

