



Part no.: 50032395
TFI 05 1101.120
Transponder



Figure can vary

Contents

- Technical data
- Dimensioned drawings
- Notes
- Accessories

Part no.: 50032395 – TFI 05 1101.120 – Transponder

Technical data

Basic data	
Series	TFI
Suitable for	RFI
Chip	EM4102
Working frequency	0.125 MHz

Electrical data	
Performance data	
Memory access	Read only
Memory size	8 B
Memory block	1 Piece(s)
Memory block size	1 B
Storage time	100 ms

Certifications	
Standards applied	ISO 15693

Mechanical data	
Design	Disc
Thickness	2.1 mm
Outer diameter	50 mm
Inner diameter	4.2 mm
Housing material	Plastic
Net weight	4 g
Type of fastening	Through-hole mounting

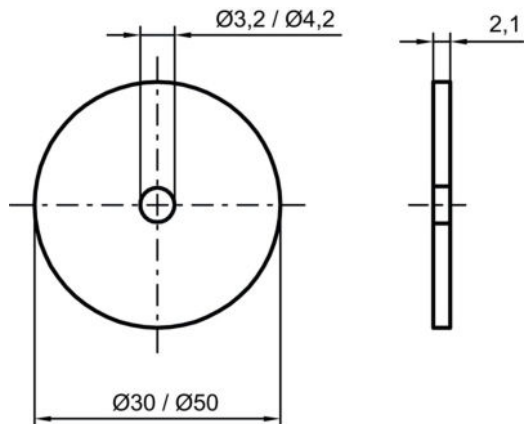
Environmental data	
Ambient temperature, operation	-20 ... 70 °C
Ambient temperature, storage	-40 ... 90 °C

Certifications	
Degree of protection	IP 65

Classification	
Customs tariff number	85235200
eCl@ss 8.0	27289290
eCl@ss 9.0	27280402
ETIM 5.0	EC002996
ETIM 6.0	EC002996

Dimensioned drawings

All dimensions in millimeters



Notes


Observe intended use!

- This product is not a safety sensor and is not intended as personnel protection.
- The product may only be put into operation by competent persons.
- Only use the product in accordance with its intended use.

- Under certain circumstances, metal in the reading field reduces the operating range considerably.

Accessories

Mounting technology - Other

	Part no.	Designation	Article	Description
	50107103	Spacer 50 HT	Spacer	Design, housing: Hollow cylinder Inner diameter: 5 mm Housing material: Plastic, PA 66

Note

A list with all available accessories can be found on the Leuze electronic website in the Download tab of the article detailed page.