

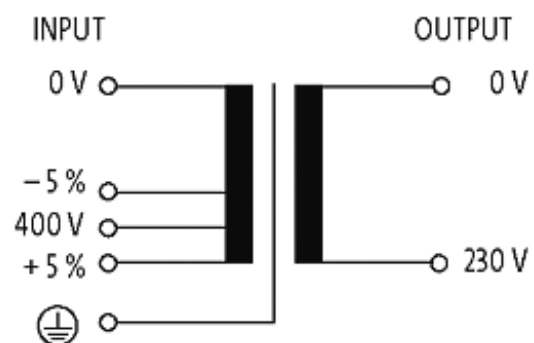
MET 1-PHASE CONTROL AND ISOLATION TRANSFORMER

P: 1000VA IN: 400VAC+/- 5% OUT: 230VAC

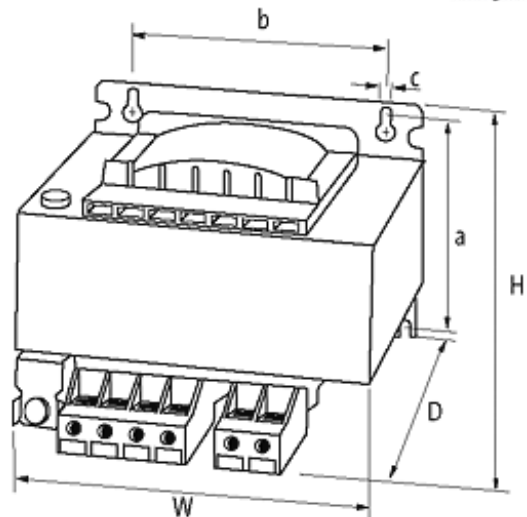
Single-phase - Control and Isolation Transformers
 1000 VA
 Spring clamp terminals
 Isolation class T 60/B

[Link to Product](#)

Illustration



stay connected



Product may differ from Image

Approvals



Input

| | |
|-----------------------|--------------------|
| Input voltage | 400 V AC $\pm 5\%$ |
| Frequency | 50...60 Hz |
| Input current | 2.68 A (400 V AC) |
| Short-circuit current | 122.5 A (400 V AC) |
| Inrush current | 37.36 A (400 V AC) |

General data

| | |
|--------------------------|---|
| Standards | (EN 61558-1), (EN 61558-2-4), (EN 62041 category 0) |
| Test isolation voltage | 4 kV (prim./sec.) |
| Dimensions H x W x D | 138x174x160 mm |
| Fixing centers a x b x c | 111.5x135x7 mm |
| Drill hole \varnothing | 7x11 mm |
| Mounting method | Key-hole mounting |
| Temperature range | -20...+60 °C, no condensation |

Output

| | |
|----------------|----------|
| Output voltage | 230 V AC |
|----------------|----------|

Commercial data

| | |
|------------------------|----------|
| country of origin | CZ |
| customs tariff number | 85043180 |
| minimum order quantity | 1 |