



ACCESSORY FOR 3KD FRAME SIZE 2 N/PE
 TERMINAL WITH PERMANENT JUMPER FLAT
 TERMINAL

Model		
product brand name		SENTRON
Product designation		Accessories for switch disconnectors
Design of the product		Neutral conductor/grounding terminal

Suitability		
Suitability for use		For 3KD size 2

Product details		
Product description		With fixed jumper
Height	mm	130
Depth	mm	60.5

General Product Approval



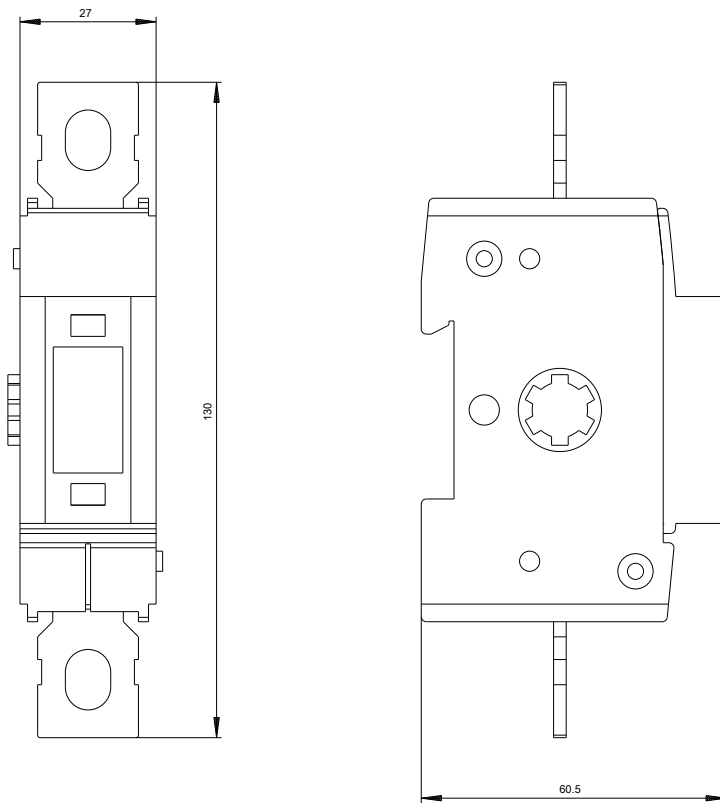
Further information

Information- and Downloadcenter (Catalogs, Brochures,...)
<http://www.siemens.com/lowvoltage/catalogs>

Industry Mall (Online ordering system)
<https://eb.automation.siemens.com/mall/en/WW/Catalog/Product/3KD92067>

Service&Support (Manuals, Certificates, Characteristics, FAQs,...)
<http://support.automation.siemens.com/WW/view/en/3KD92067/all>

Image database (product images, 2D dimension drawings, 3D models, device circuit diagrams, ...)
http://www.automation.siemens.com/bilddb/cax_en.aspx?mlfb=3KD92067



last modified:

11.03.2015