

ACCESSORY FOR VT1000, VT1600 FRONT
 CONNECTION FOR WITHDRAWABLE VERSION
 COMPRISES 3 TERMINALS 1 SET = 3 UNITS



Figure similar

Model	
product brand name	SENTRON
Design of the product	Connection system

Accessories				
accessories		Accessories for VT1000, VT1600		
General Product Approval	Declaration of Conformity	Test Certificates		other



[Type Test Certificates/Test Report](#)

[Special Test Certificate](#)

[Declaration of Conformity](#)

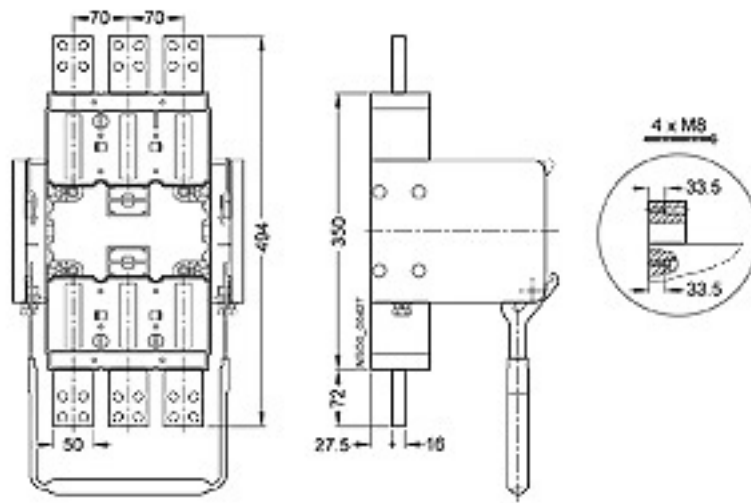
other	
Environmental Confirmations	other

Further information
Information- and Downloadcenter (Catalogs, Brochures,...) http://www.siemens.com/lowvoltage/catalogs
Industry Mall (Online ordering system) https://eb.automation.siemens.com/mall/en/WW/Catalog/Product/3VT95004EF30
Service&Support (Manuals, Certificates, Characteristics, FAQs,...) http://support.automation.siemens.com/WW/view/en/3VT95004EF30/all

Image database (product images, 2D dimension drawings, 3D models, device circuit diagrams, ...)
http://www.automation.siemens.com/bilddb/cax_en.aspx?mlfb=3VT95004EF30

CAx-Online-Generator
<http://www.siemens.com/cax>

Tender specifications
<http://ausschreibungstexte.siemens.com/tiplv>



last modified:

11.03.2015