

## Replacement Parts: Pad Unit (With lock ring/Without lock ring)

### How to Order Pad Unit

**ZP 10 U N X19**

• Pad dia. (mm)

02	ø2
04	ø4
06	ø6
08	ø8
10	ø10
13	ø13
16	ø16
20	ø20
25	ø25
32	ø32
40	ø40
50	ø50

• Lock ring

Nil	With lock ring
-X19	Without lock ring (ø10 or larger)

• Material

N	NBR
S	Silicon rubber
U	Urethane rubber
F	Fluoro rubber
GN*	Conductive NBR (ø2 to ø16)
GS*	Conductive silicon rubber (ø2 to ø16)

\* ø20 or large are manufactured upon receipt of order.

• Pad type

U	Flat
C	Flat with ribs
D	Deep
B	Bellows

### How to Order Lock Ring Unit

**ZPL 1**

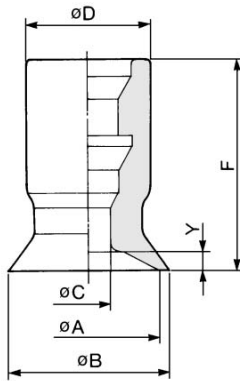
• Applicable pad dia. (mm)

1	ø10 to ø16
2	ø20 to ø32
3	ø40, ø50

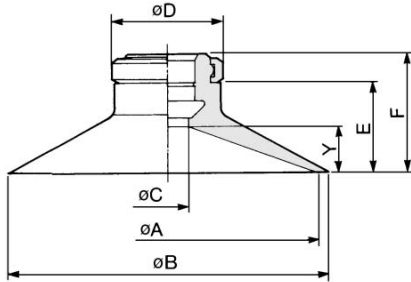
ZX  
ZR  
ZM  
ZH  
ZU  
ZL  
ZY  
ZQ  
ZF  
ZP  
ZCU  
AMJ  
Misc.

#### Flat (U)

ZP02U□ to 08U□



ZP10U□ to 50U□

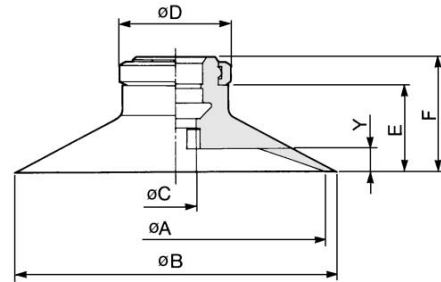


Model	Size	øA	øB	øC	øD	E	F	Y
ZP02U□	U02	2	2.6	1.2	7	—	12	0.8
ZP04U□	U04	4	4.8	1.6	7	—	12	0.8
ZP06U□	U06	6	7	2.5	7	—	12	0.8
ZP08U□	U08	8	9	2.5	7	—	12	1
ZP10U□	U10	10	12	4	13	7.7	12	3
ZP13U□	U13	13	15	4	13	7.7	12	3
ZP16U□	U16	16	18	4	13	8.2	12.5	3.5
ZP20U□	U20	20	23	4	15	9.5	14	4
ZP25U□	U25	25	28	4	15	9.5	14	4
ZP32U□	U32	32	35	4	15	10	14.5	4.5
ZP40U□	U40	40	43	7	18	13.7	18.5	6.5
ZP50U□	U50	50	53	7	18	14.7	19.5	7.5

\* Put in the symbol for material at the end of model no.

#### Flat with ribs (C)

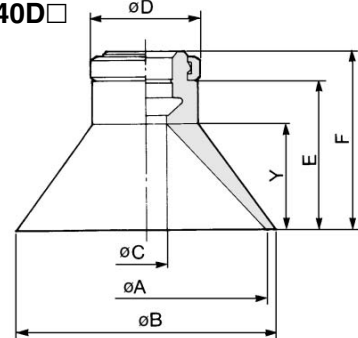
ZP10C□ to 50C□



Model	Size	øA	øB	øC	øD	E	F	Y
ZP10C□	C10	10	12	4	13	7.7	12	1.7
ZP13C□	C13	13	15	4	13	7.7	12	1.8
ZP16C□	C16	16	18	4	13	8.2	12.5	1.2
ZP20C□	C20	20	23	4	15	9.5	14	1.7
ZP25C□	C25	25	28	4	15	9.5	14	1.8
ZP32C□	C32	32	35	4	15	10	14.5	2.3
ZP40C□	C40	40	43	7	18	13.7	18.5	3.3
ZP50C□	C50	50	53	7	18	14.7	19.5	3.8

#### Deep (D)

ZP10D□ to 40D□



Model	Size	øA	øB	øC	øD	E	F	Y
ZP10D□	D10	10	12	4	13	10.7	15	6
ZP16D□	D16	16	18	4	13	11.7	16	7
ZP25D□	D25	25	28	4	15	15.5	20	10
ZP40D□	D40	40	43	7	18	24.2	29	17