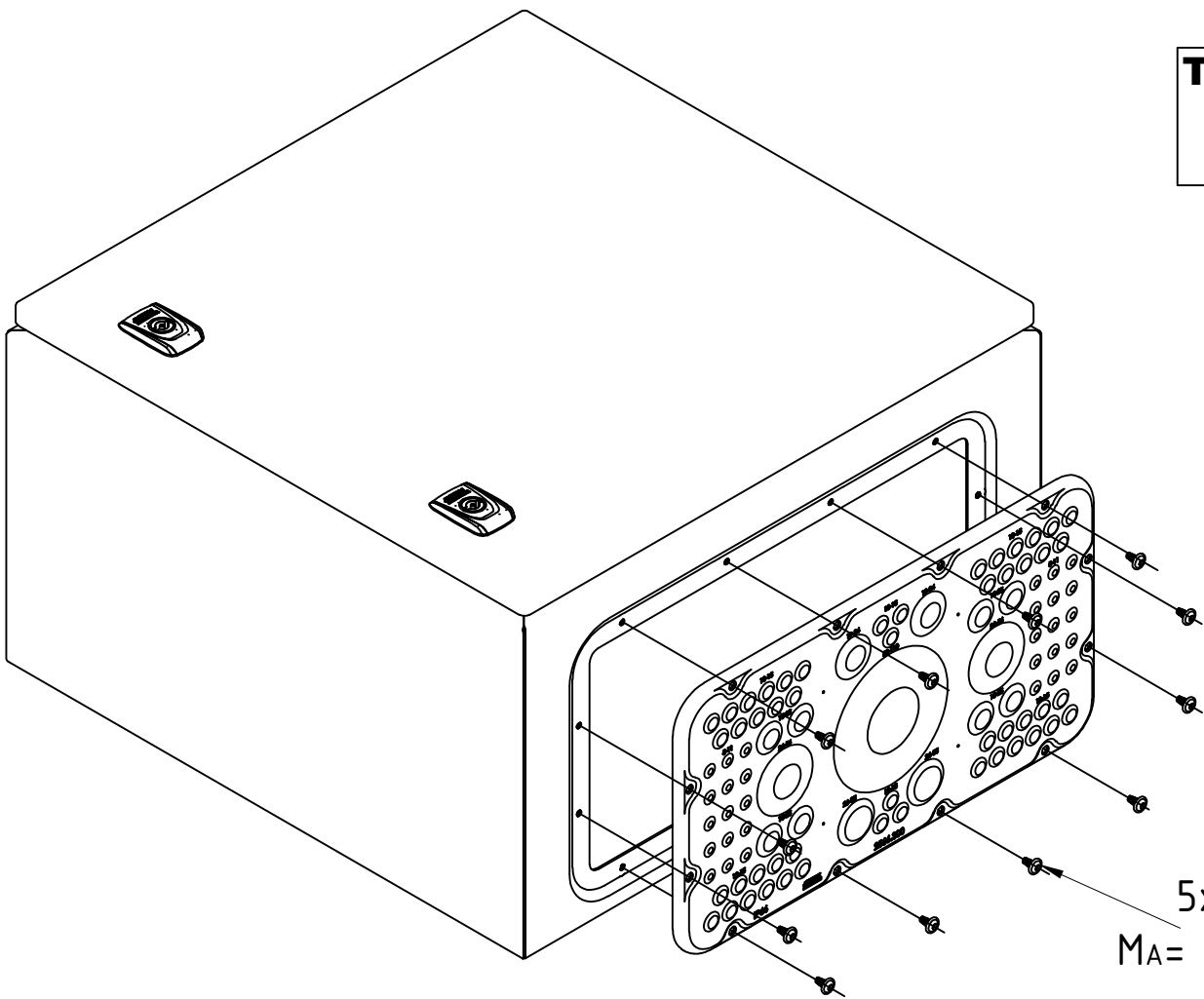


TX25



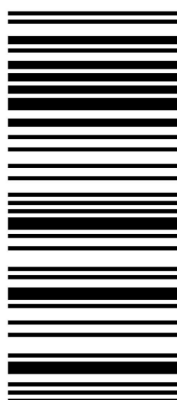
5x16
MA= 1,5+0,5 Nm



Raum für Verpackungsdatum
Area for date of packing
(MMJJTT/MMYYDD)



www.rittal.com



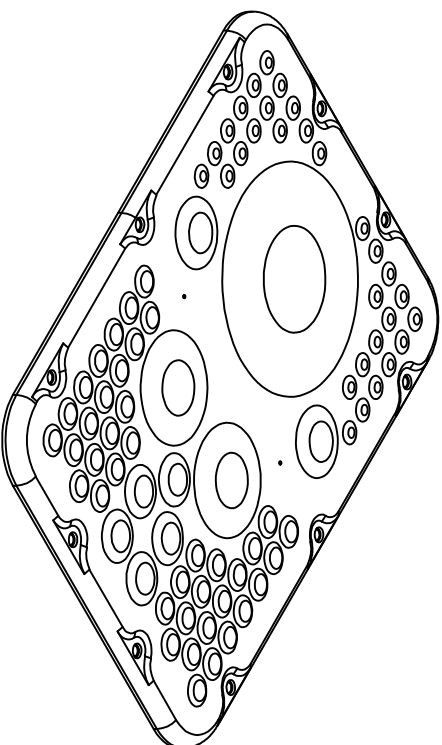
4028177935730

AX plastic gland plate
Only for use with Rittal
AX series products

25665.300

SZ

1x



10x



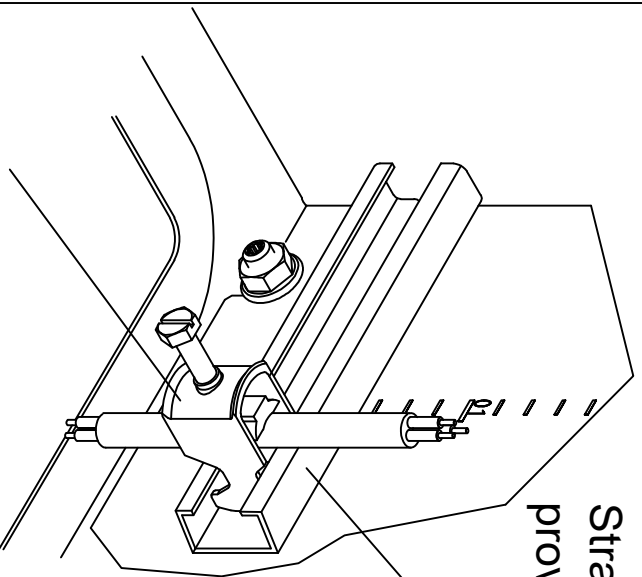
5x16

This gland plate can be used to replace the gland plate and gasket supplied with the AX series.

Zehng.-Nr. / No. of dwg. : A08807201SZ
Versandbeutel-Nr. / No. of accessory bag : -

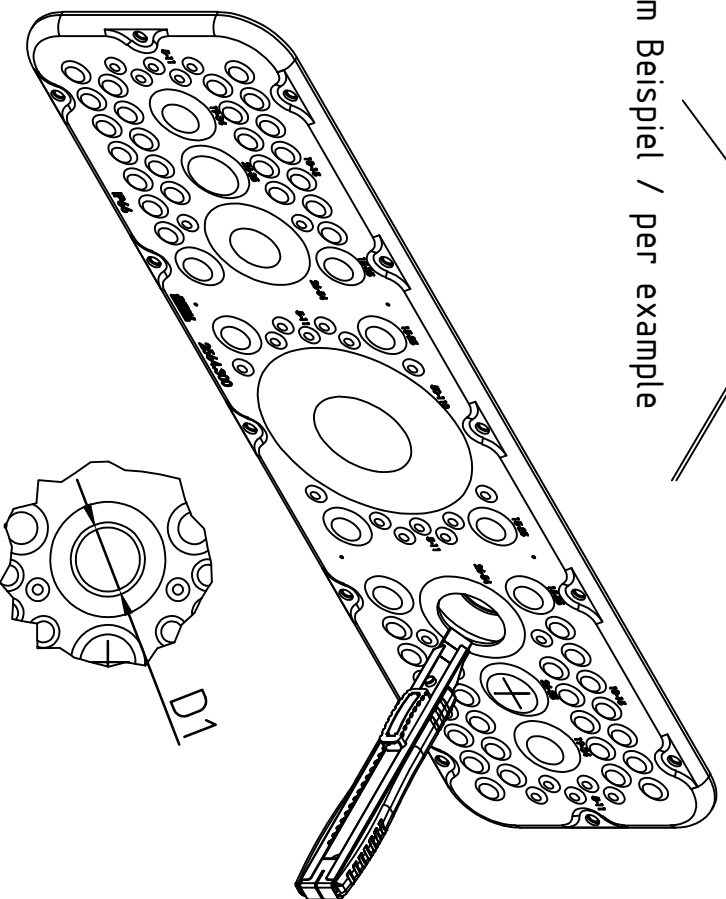
Made in xxx
Lieferanten-Nr. / No. of supplier :

Strain relief must additionally be provided in the end application.



zum Beispiel / per example

zum Beispiel / per example



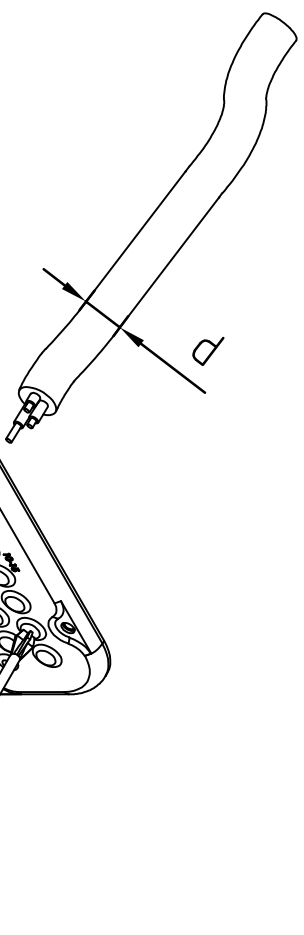
Kreisrund - Schneiden / round cutting

D1= d-15 mm

für/for d= 36-60 mm

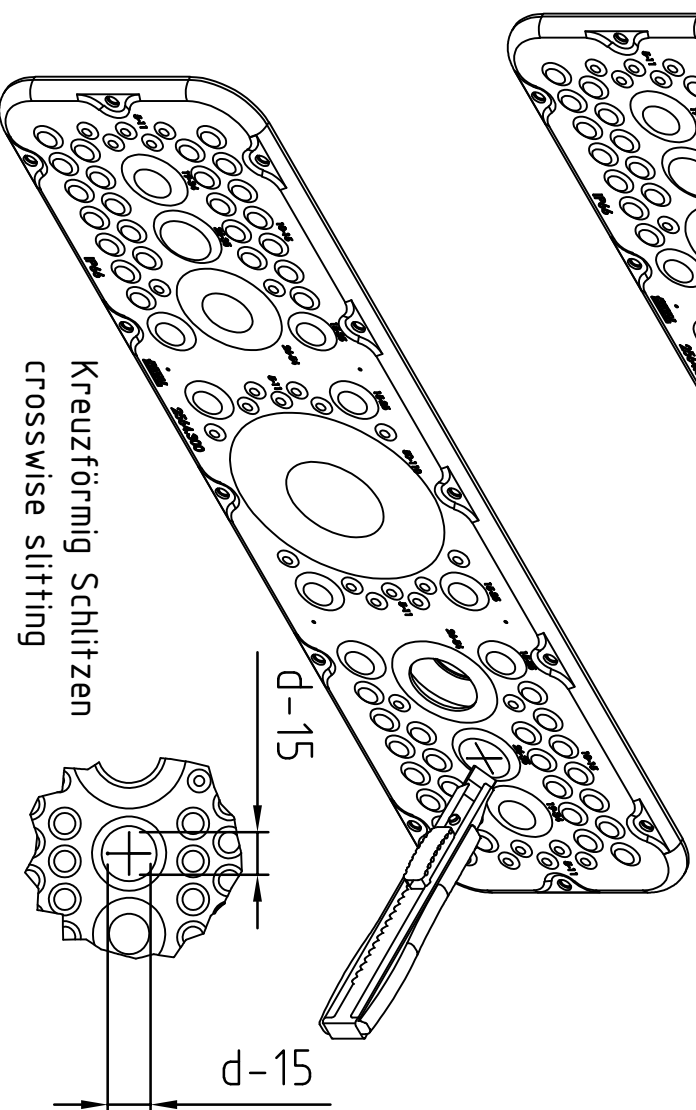
D1= d-20 mm

für/for d= 60-110 mm



Durchstechen / piercing

für/for d= 0-15 mm



Kreuzförmig Schlitten
crosswise slitting

für/for d= 16-35 mm

d-15

D