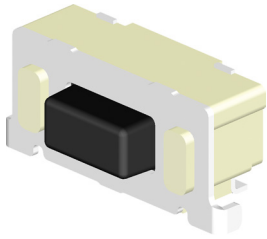


Tactile Switches

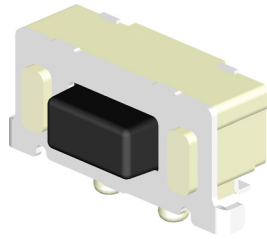
3.5mm × 7mm, SMT

multicomp PRO

**RoHS
Compliant**



1188



1188E

Features

- Side Actuated
- Support / Ground Pins Options
- High Solder Strength

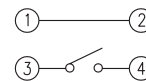
Application

- Audio, OA Equipment
- Instrumentation
- Remote Control

Specification

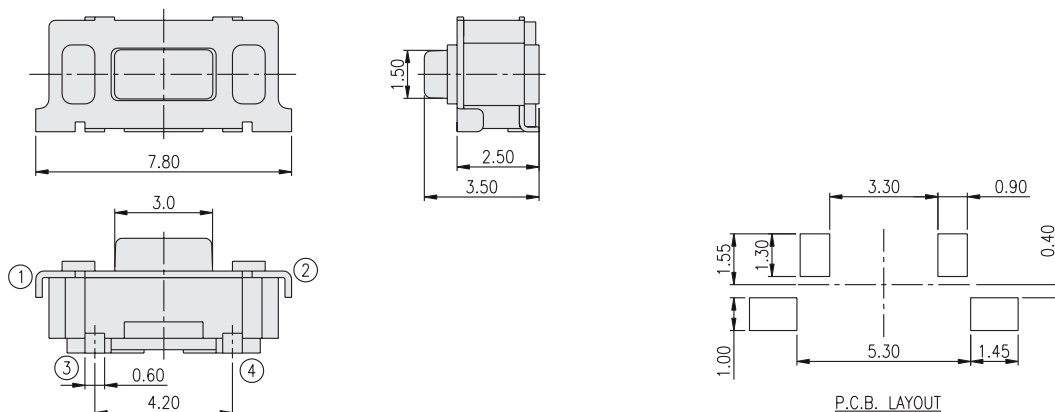
Contact Rating	: 50mA, 12V DC
Contact Resistance	: 100mΩ max.
Insulation Resistance	: 100MΩ min. 500V DC
Dielectric Strength.	: 250V AC / 1 minute
Operating Force	: 160 ±50gf / 260 ±50gf
Travel	: 0.25mm
Operating Life	: 30,000 cycles (260gf) 50,000 cycles (160gf)
Operating Temp.	: -25°C to +70°C
Storage Temp.	: -40°C to +80°C

Circuit



Diagram

1188



Dimensions : Millimetres

Newark.com/multicomp-pro
Farnell.com/multicomp-pro
sg.element14.com/b/multicomp-pro

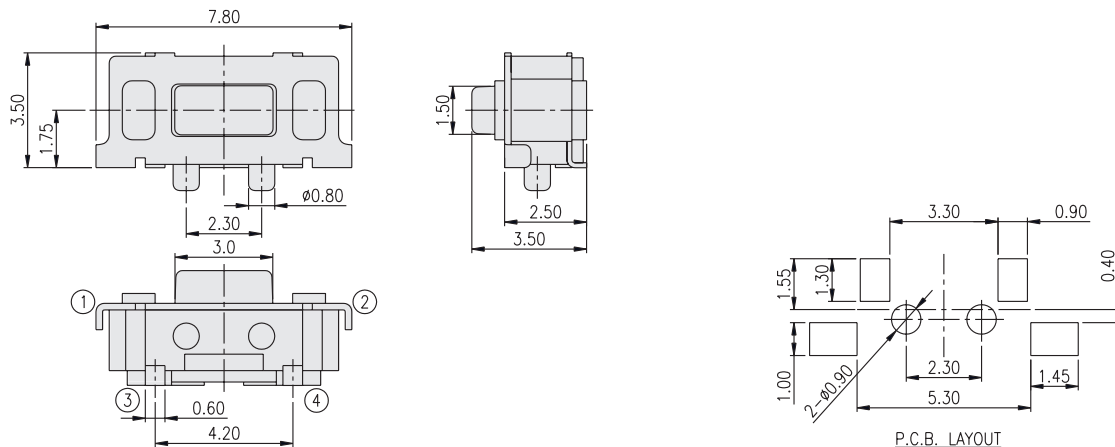
multicomp PRO

Tactile Switches

3.5mm × 7mm, SMT

multicomp PRO

1188E



Dimensions : Millimetres

Part Number Table

Description	Part Number
Tactile Switch, SMT, Black, 160gf	MP188-1K2-V
Tactile Switch, SMT, Black, 260gf	MP188-1K3-V
Tactile Switch, Base with Post, SMT, Black, 260gf	MP188E-1K2-V
Tactile Switch, Base with Post, SMT, Black, 260gf	MP188E-1K3-V

Important Notice : This data sheet and its contents (the "Information") belong to the members of the AVNET group of companies (the "Group") or are licensed to it. No licence is granted for the use of it other than for information purposes in connection with the products to which it relates. No licence of any intellectual property rights is granted. The Information is subject to change without notice and replaces all data sheets previously supplied. The Information supplied is believed to be accurate but the Group assumes no responsibility for its accuracy or completeness, any error in or omission from it or for any use made of it. Users of this data sheet should check for themselves the Information and the suitability of the products for their purpose and not make any assumptions based on information included or omitted. Liability for loss or damage resulting from any reliance on the Information or use of it (including liability resulting from negligence or where the Group was aware of the possibility of such loss or damage arising) is excluded. This will not operate to limit or restrict the Group's liability for death or personal injury resulting from its negligence. Multicomp Pro is the registered trademark of Premier Farnell Limited 2019.

Newark.com/multicomp-pro
 Farnell.com/multicomp-pro
 sg.element14.com/b/multicomp-pro

multicomp PRO