

Seating Pins • ribbed or pointed

22680.0184



Product Description

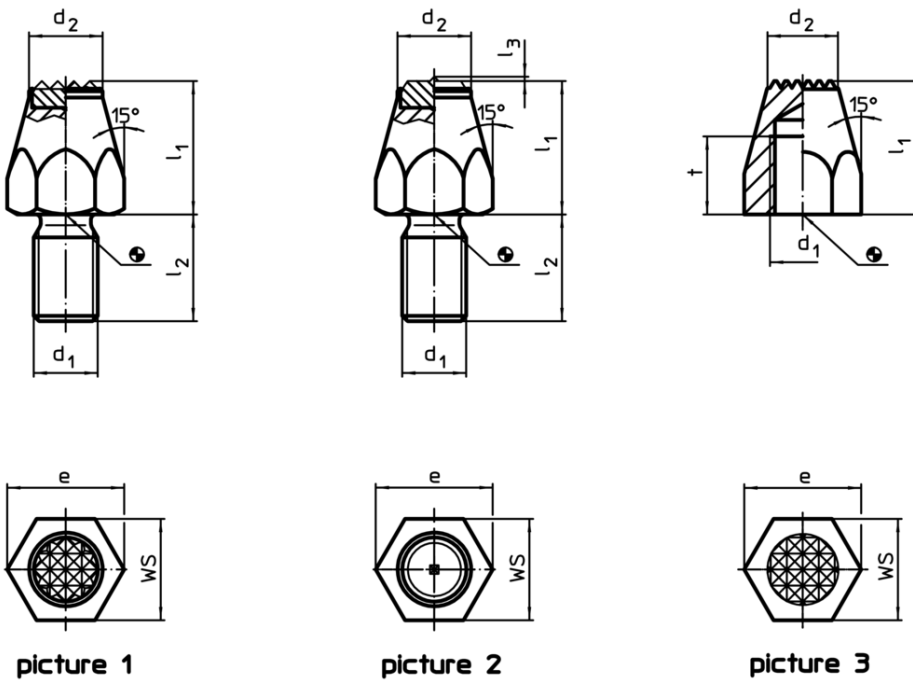
For workpieces showing a rough surface. Pointed type especially suitable for cast parts.

Material


Body

- Free cutting steel, case-hardened, blackened

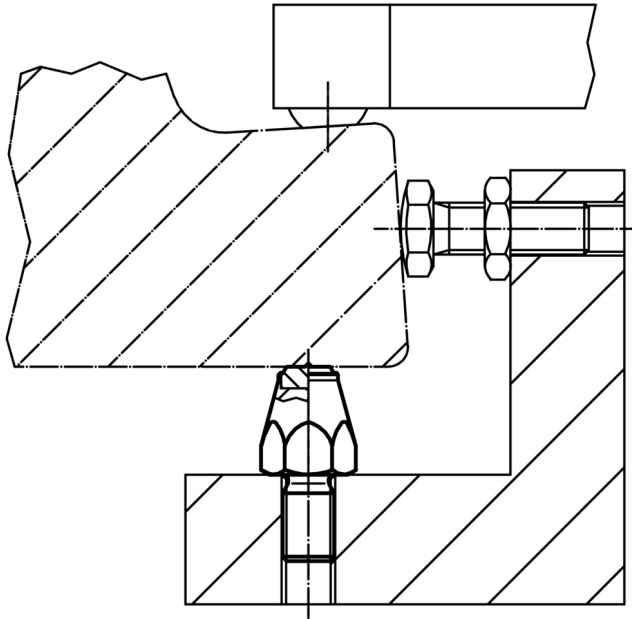
Drawing



Order information

l_1	d_1	Dimensions		d_2	e	WS	Tightening torque max.		Art. No.
		[mm]				[mm]	[Nm]	[g]	
case-hardened, ribbed, with female thread – picture 3									
25	M12	15		13	21.9	19	60	33	22680.0184

Application example



Compliance

RoHS compliant

Contains lead - compliant according to exceptions 6a / 6b / 6c

Contains SVHC substances >0,1% w/w

Contains lead - SVHC list [REACH] as of 10.06.2022

Contains Proposition 65 substances



Lead can cause cancer and reproductive harm from exposure
<https://www.P65Warnings.ca.gov/>

Free from Conflict Minerals

This product does not contain any substances designated as "conflict minerals" such as tantalum, tin, gold or tungsten from the Democratic Republic of Congo or adjacent countries.