

Dot laser, green, 532 nm, 30 mW

DD532-30-3(20x80)
Order Number: 70101423

Main Parameters (*)	min	typ	max	Unit
Wavelength		532		nm
Optical Output Power		30		mW
Operating Voltage	2.7	3	3.3	V DC
Operating Current	150	400	500	mA
Operating Temperature	15		30	°C
Storage Temperature	-40		80	°C

Main Data

Warranty 1 years

Technical Parameters

Lifetime > 5,000 h
RoHS yes

Optical Parameters

Beam Shape	Dot
Laser Class	3B
Divergence	D - 0.5 mrad
Size of Laserdot	<3..5mm@10m
Operating Distance	500 m
Optics	glass lens AR coated
Beam Mode	TEM00
Laser technology	YVO4+KTP
Stability	+/- 20% @ 15-30°C
Focus	collimated
Warm up time	< 15 min

Electrical Parameters

Potential of Housing isolated

Mechanical Parameters

Size	Ø20x80 mm
Material	aluminium
Cable length	100 mm
Output Aperture	5 mm
Weight	55 g

(*) Over the complete operating temperature range

Features



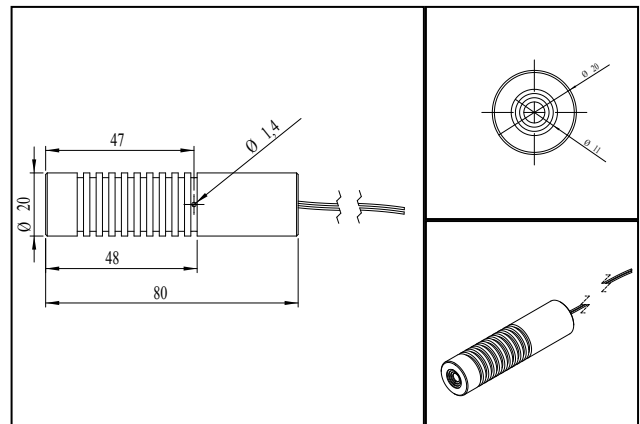
Picture



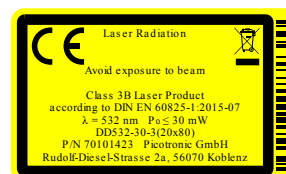
Cable color

Ground		blue	GND
positive		red	2.7 - 3.3, typ 3 V DC

Drawing



Safety Label



Valid Revision

3 | 17-DEC-2018