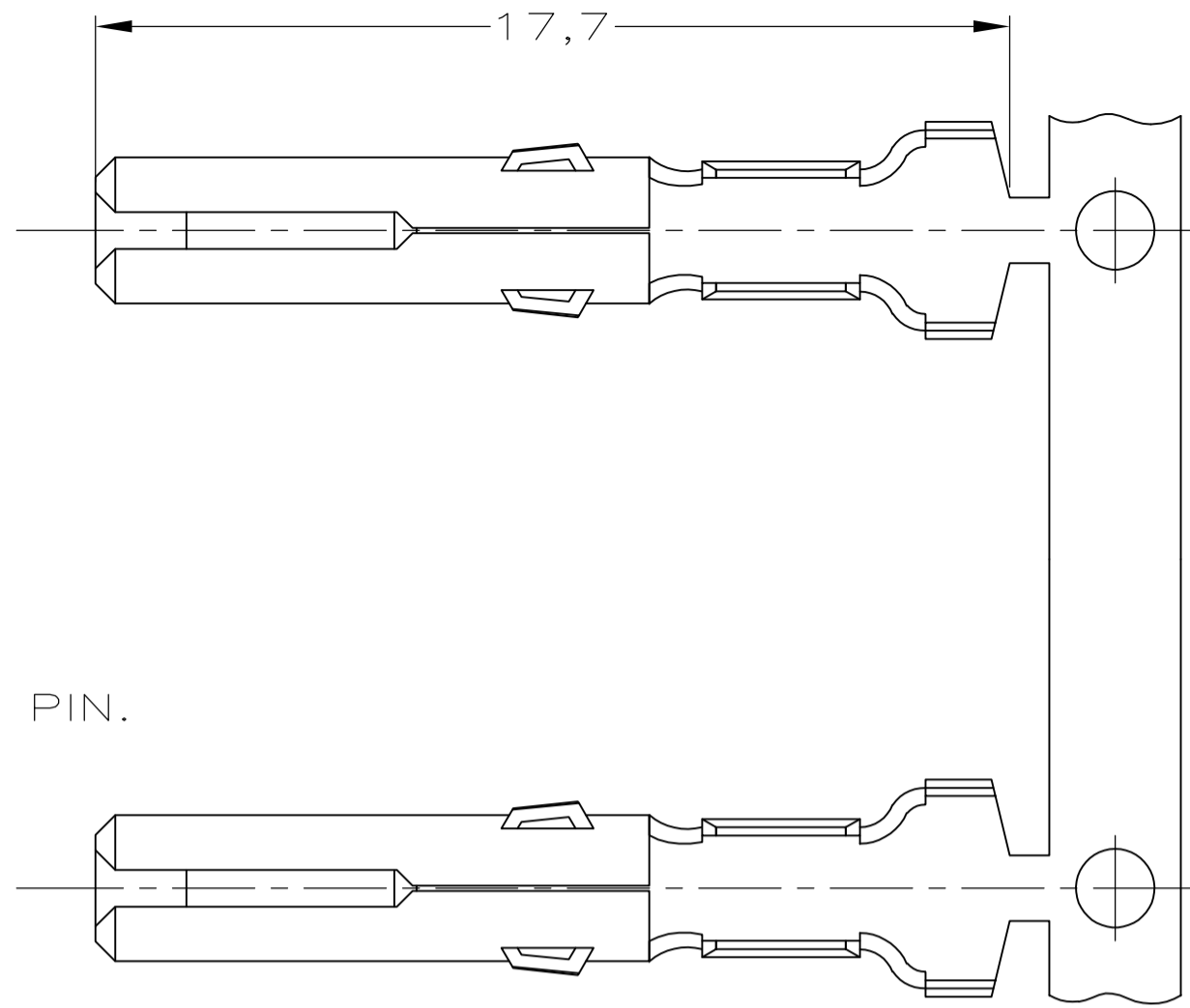
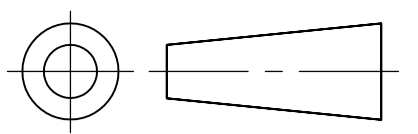


DO NOT SCALE

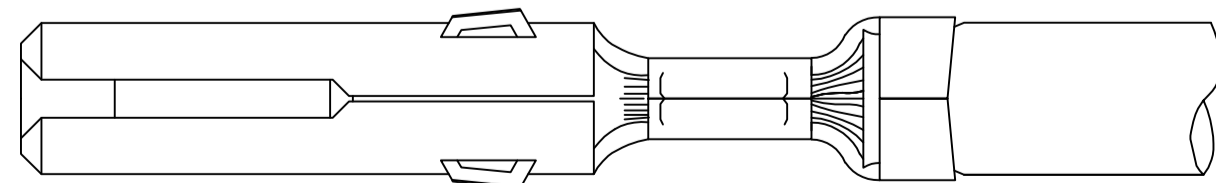
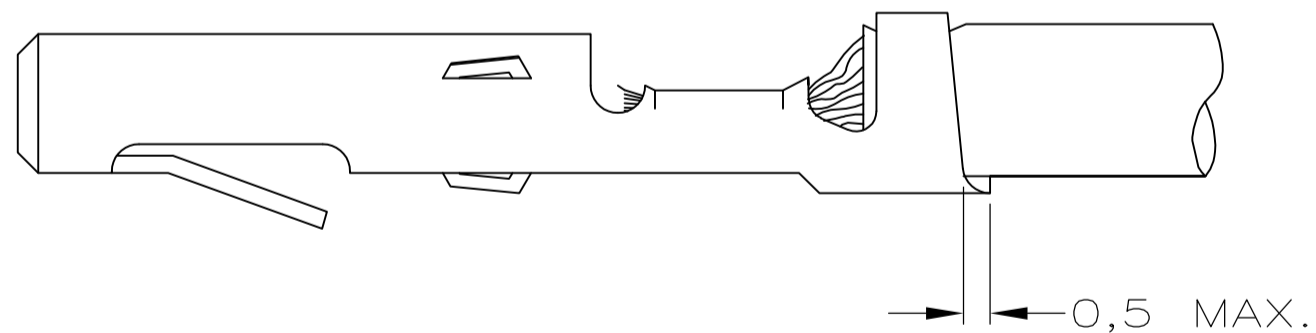
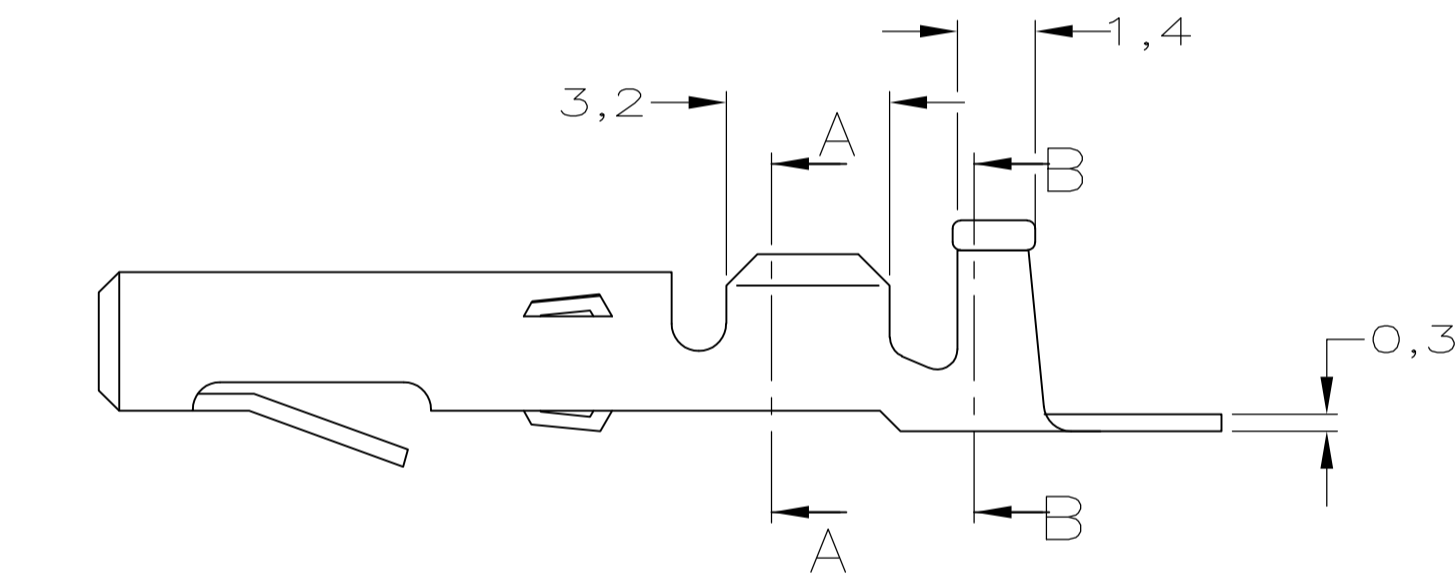
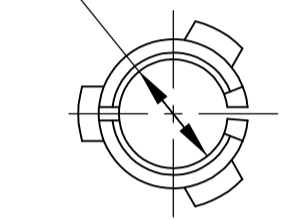
DIMENSIONS IN mm

METRIC

THIRD ANGLE  
PROJECTION

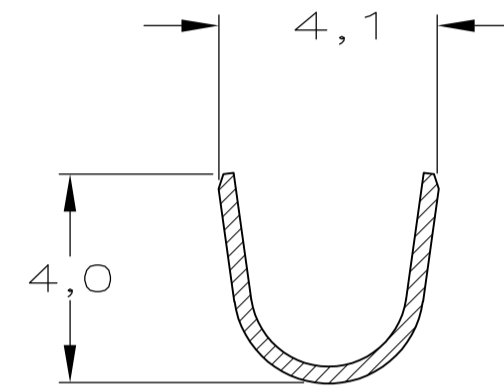


FOR 2,1 DIA. PIN.

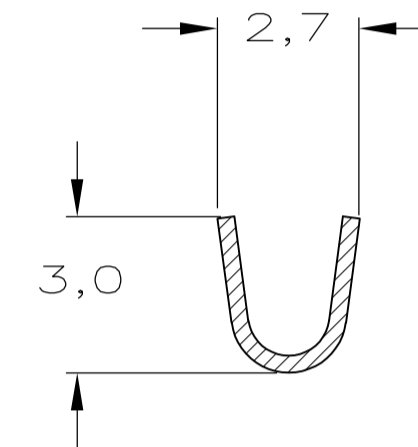


NOTES:

- △1 FOR USE ON STANDARD APPLICATORS.(RIGHT-LEFT FEED)
- △2 FOR USE ON MINIATURE APPLICATORS.(LEFT-RIGHT FEED)
- △3 FOR USE ON MINIATURE APPLICATORS,  
AMP O-MATOR APPLICATION.(LEFT-RIGHT FEED)
- △4 OBSOLETE PARTS: OBSOLETE CIS STREAMLINING PER D.RENAUD/D.SINISI



SECTION B-B



SECTION A-A

WIRE RANGE :	0,5-1,0mm <sup>2</sup> AWG
INSULATION RANGE :	1,8-3,3mm DIA.

△4 OBSOLETE	△2	SEL. GOLD	BRASS	-8=163300=1
OBSOLETE	△3	PRE-TINPLATED	BRASS	1=163300=5
	△2	PRE-TINPLATED	PHOSPHOR BR.	163300=8
	△2	UNPLATED	PHOSPHOR BR.	163300=7
	△2	PRE-TINPLATED	BRASS	163300=6
	△2	UNPLATED	BRASS	163300=5
△4 OBSOLETE	△1	PRE-TINPLATED	PHOSPHOR BR.	163300=4
	△1	UNPLATED	PHOSPHOR BR.	163300=3
	△1	PRE-TINPLATED	BRASS	163300=2
	△1	UNPLATED	BRASS	163300=1
		PLATING	MATERIAL	PARTNUMBER

—	—	—	—	—	<b>CUSTOMER DRAWING</b> FOR REFERENCE ONLY WILL NOT BE UPDATED © COPYRIGHT — BY ALL INTERNATIONAL RIGHTS RESERVED. THIS DRAWING IS UNPUBLISHED RELEASED FOR PUBLICATION —,19—
—	—	—	—	—	
—	—	—	—	—	
—	—	—	—	—	
—	—	—	—	—	
J2	REVISED PER ECO-11-005294	RK	HMR	13APR11	
LTR.	REVISION RECORD	DR.	CHK.	DATE	
DR.: J.V.D.HEIJDEN.	CHK.: A.BIJNEN.	APP.: L.V.SOEST.	DWG.No.	REV.LTR.	SHEET
DATE: 10-04-92	DATE: -	DATE: -	163300	J2	1 OF 1