

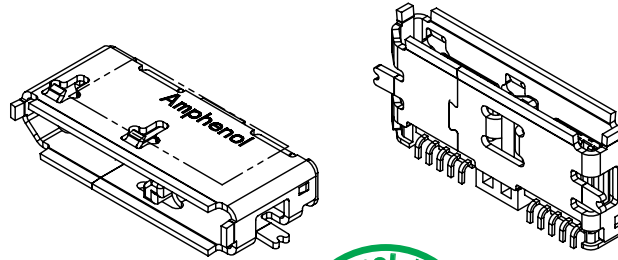
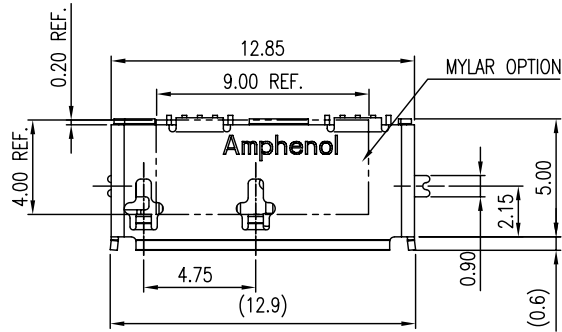
This document is the property of Amphenol Corporation and is delivered on the express condition that is not to be disclosed, reproduced or used, in whole or in part, for manufacture or sale by anyone other than Amphenol Corporation without its prior consent, and that no right is granted to disclose or to use any information in this document.

The marking on this product doesn't contain environmental hazardous material and must follow one or more specifications per Material Specification SS-00259 for Sony GP compliant or per directive 2002/95/EC for RoHS compliant or per IEC 61249-2-21 for Halogen Free compliant.



ORIGINAL

REVISIONS				
SYM	ECN No.	DESCRIPTION	DATE	BY
A		RELEASE TO PRODUCTION	12/02/2008	Sondra Sang
B	NE-10079	MODIFIED SHELL	06/04/2010	Sondra Sang
C	NE-10123	MODIFIED PNS	08/06/2010	Sondra Sang

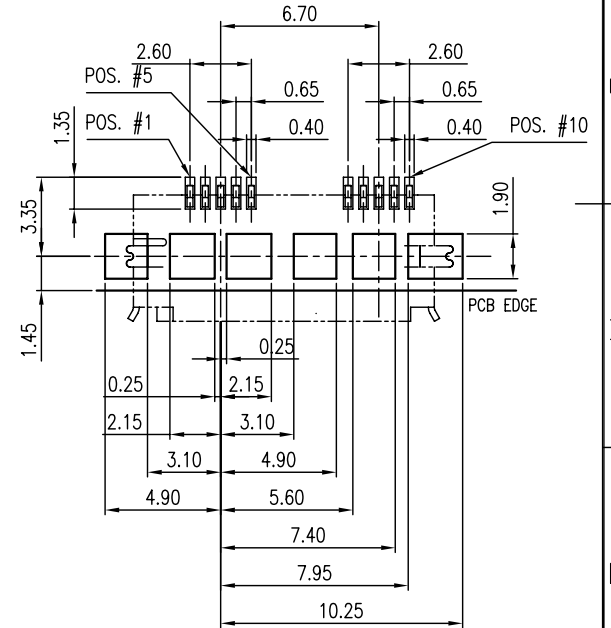
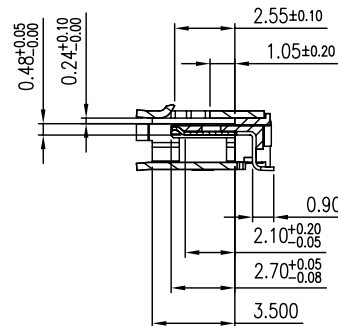
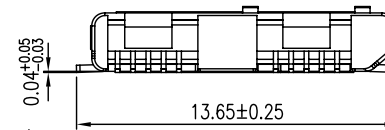
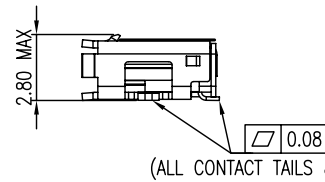
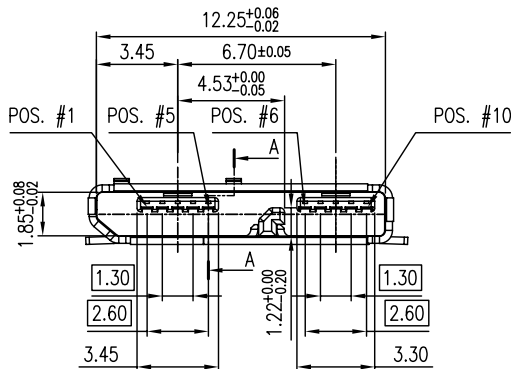


PART NUMBER:
GSB3 431 X 3 X HR

CONTACT FINISH
3: 30μ" GOLD
4: 2μ" GOLD+30μ" Ni-Pd

VARIATION CODE
BLANK: STANDARD T&R PACKING
A: W/ MYLAR, T&R PACKING

INSULATOR AND COLOR
3: LCP, Black



NOTES:

- HOUSING: HIGH TEMP. THERMOPLASTIC, UL 94V-0, COLOR- BLACK
- CONTACT: COPPER ALLOY, 0.15mm THICKNESS, 30μ" MIN. GOLD or 2μ" MIN. GOLD +30μ" MIN. Ni-Pd PLATED ON CONTACT AREA, GOLD FLASH PLATED ON SOLDERING TAIL, 80μ" MIN. NICKEL UNDER-PLATED OVERALL
- METAL SHELL: STAINLESS, 0.3mm THICKNESS, GOLD FLASH PLATED ON THE SOLDERING TABS
- MYLAR: 4.0 x 9.0 mm
- THIS PRODUCT DOESN'T CONTAIN ENVIRONMENTAL HAZARDOUS MATERIALS PER DIRECTIVE 2002/95/EC FOR RoHS AND PER IEC 61249-2-21 FOR HALOGEN FREE COMPLIANT.

TOLERANCE	APPROVALS	DATE	TITLE	UNIT	SIZE	PART No.
X. ±0.30	DRAWN Sondra Sang	08/06/10	USB 3.0 CONNECTOR MICRO_B, RECEPTACLE R/A SMT TYPE	mm	A3	GSB3 431 X3X HR
X.X ±0.20	CHECKED Chenny Yeh	08/06/10				
X.XXX ±0.10	APPROVED Hank Hsu	08/06/10				
ANGULAR ±1°	DWG TYPE CUST DWG	PROJECT CODE T503	UNIT mm	SCALE NA	SHEET 1 OF 1	DWG No. GSB343133HR
UNLESS OTHERWISE SPECIFIED						REV. C

Amphenol®

Amphenol Corporation
Amphenol Taiwan Corporation