

CUSTOMER MCM FILE NO. 52-130

THIS DRAWING AND SPECIFICATIONS, HEREIN ARE THE CONFIDENTIAL PROPERTY OF SAMAR AND SHALL NOT BE REPRODUCED OR COPIED OR DISCLOSED IN WHOLE OR IN PART WITHOUT WRITTEN PERMISSION.

REV.	DESCRIPTION	DRAWN / DATE	APPROVED / DATE
0	INITIAL RELEASE	YANG 05/02/2007	LIN 05/02/2007
1	Change input power value	YANG 07/04/2008	

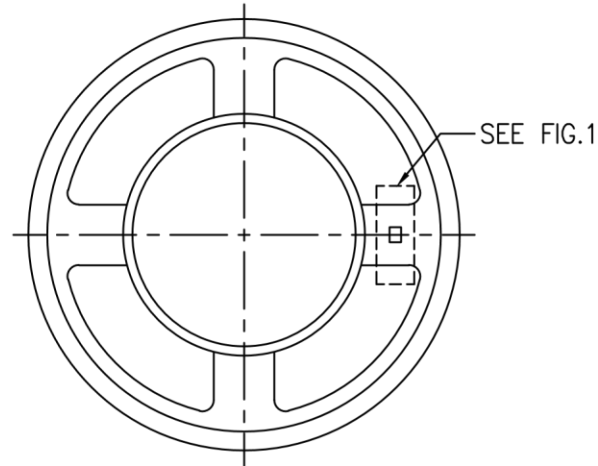
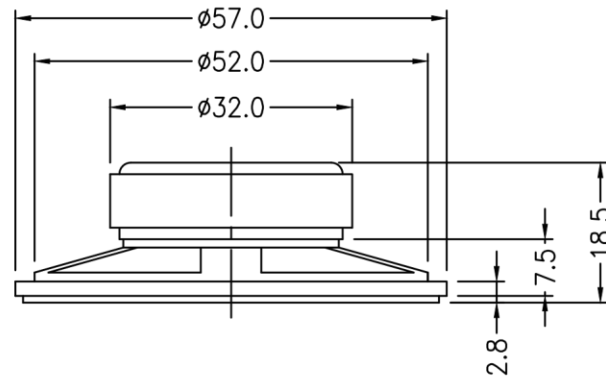


FIG. 1
SCALE=N.T.S.



SPECIFICATION:

1. NOMINAL SIZE: 57mm
2. IMPEDANCE: 8 ohm ± 15%
3. INPUT POWER: 0.5W
4. MAGNET: 32*18*6 mm FERRITE, 0.58oz



DIMENSIONS ARE IN mm [INCH]	TOLERANCES ARE FRACTIONS DECIMALS ANGLES	MATERIAL	MCM Electronics	ROUND MINI 2-1/4" FERRITE SPEAKER	P/N 52-130	DRAWN YANG	DATE 05/02/2007
MOLD NO.	<10 ±0.5 [0.020] 10~30 ±0.8 [0.031] 30< ±1.0 [0.040]	FINISH			PROJECT NO.		
52-130		COLOR			SCALE 1:1	SIZE A4	SHEET 1 OF 1
							MI004