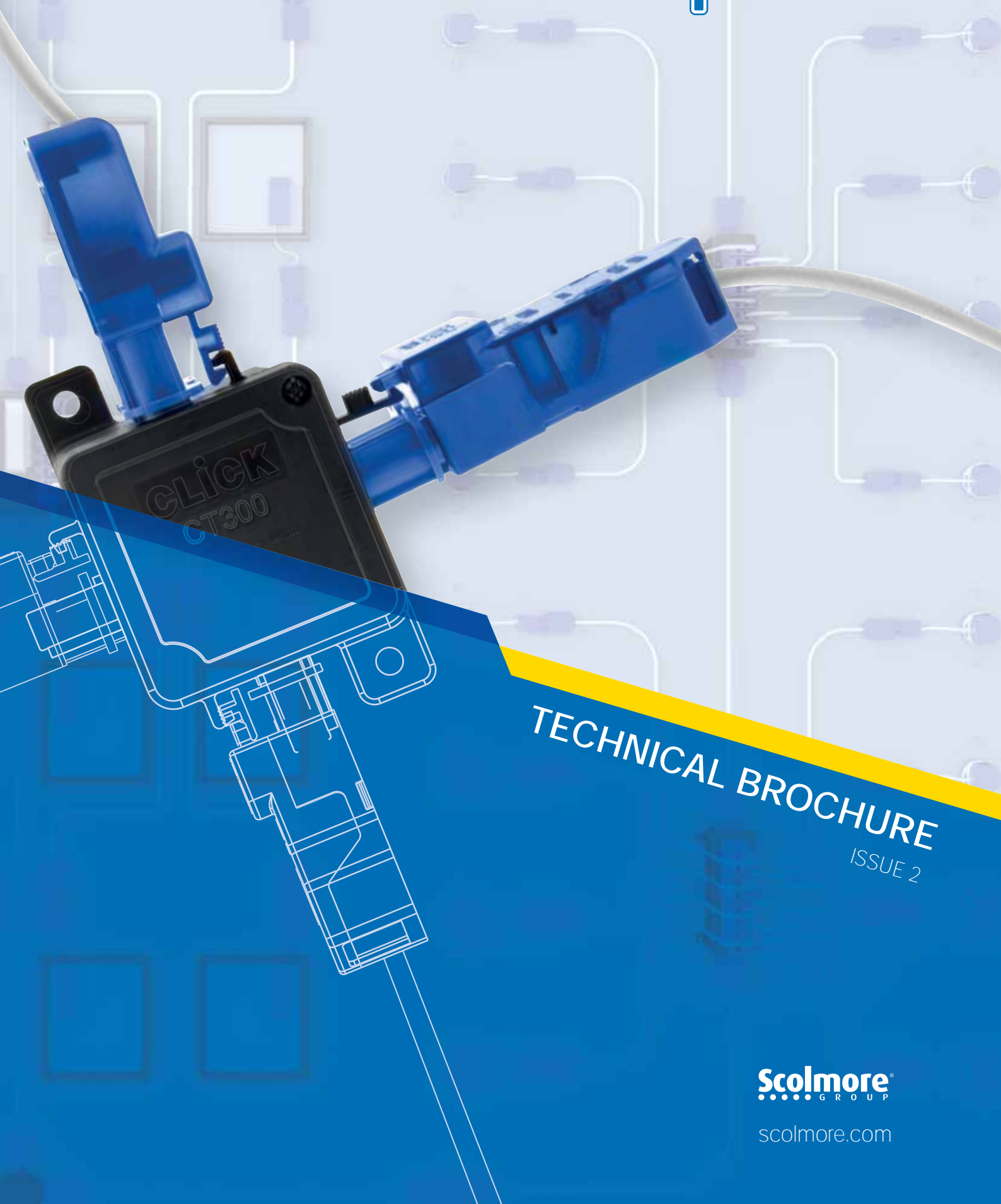


The logo for 'flow' is written in a stylized, lowercase, blue font with a white outline. The letters are rounded and connected, giving it a modern, fluid appearance. A trademark symbol (TM) is located at the top right of the 'w'.

flow™



TECHNICAL BROCHURE
ISSUE 2

Scolmore
GROUP

scolmore.com



Simple connectivity and control

With the emphasis now on flexibility & ease of installation many building design projects are now focusing on products & services that can adapt to changing legislation, energy efficiency & the ever changing needs of the client.

The Lighting Management System is a new range of additional products to the existing Flow™ range & has been designed specifically to help contractors create more complex lighting installations quickly, easily & safely. It features a number of new products that allow the quick connection, configuration & re-configuration of circuits, primarily intended for lighting.

Flexibility is important as requirements can change & the ability to adapt to these changes quickly & economically is seen as an advantage. The development of this range has evolved as a result of the increasing demand from our customers.



85mm

21mm

Flow™ is perfect for all types of installations...



inceptor

Inceptor® Compatible

The Flow™ range works perfectly with the Inceptor® lighting range, making wiring a lighting circuit easy! All products within the Inceptor® lighting range* come pre-wired to the Flow™ male connector with the female connector supplied, creating a range of lighting which is quick & easy to install as well as to remove & replace for the purpose of circuit testing.

*Excluding the Pico & Pico FG.

BIM

Building Information Modelling

BIM is changing how buildings, infrastructure & utilities are planned, designed & built. At Scolmore® we are committed to support you on & off the job by providing you direct access to our BIM library, which is available on our website, scolmore.com.



Dimmable



Complete Control

The Click® Smart system makes it easy to adapt & upgrade your installation, offering a smart solution that has at its core, accessibility & simplicity for the end user. Flow™ products can incorporate wireless switching & dimming scenarios using Click® Smart products.



A Prefabricated Wiring Solution!

Prefabricated wiring systems are typically used in prefabricated houses, installation cavities (such as suspended floors & ceilings), cable tray systems, cable ladder systems, cable ducting systems, cable trunking systems, commercial showrooms, partition walls & in similar applications.

The use & the initial verification of a prefabricated wiring system is carried out according to the national wiring regulations.



A guide to use

Prefabricated wiring systems can be used in applications where the quick & easy connection of different parts of the installation is required.

Prefabricated wiring systems are designed to provide a rapid connection, whilst guaranteeing the correct connection.

The use of prefabricated wiring systems can help when planning a wiring system, it can help facilitate installation & disconnecting while enabling changes & repairs to be made easily after installation. Prefabricated wiring systems might employ rigid or flexible cables which are intended to be connected & disconnected without a current flowing.

Applications

In housebuilding, prefabricated wiring systems can have a role when houses are assembled from prefabricated elements. In buildings or structures prefabricated wiring systems are used in suspended floors & ceilings. In this kind of system, the flexibility of the installation is achieved by using a prefabricated wiring system because fitments & furnishing of the rooms are easily changeable.

Prefabricated wiring systems make the installation work quicker than using more traditional methods.

Installation couplers can be a part or a component of equipment & not just a method of connecting cables. Separate luminaires are a typical group of electrical equipment & can be easily linked to a comprehensive lighting system by using a prefabricated wiring system. Machinery commonly consists of different units all connected to each other by a prefabricated wiring system. Typical examples are air conditioners & heat recovery units, which have separate motors, control units & pumps.

Flow™ Wiring System

Ample fixing points to suit any method of installation.

1 in 3 out Hub
See page 17



16 Way Lighting Management Box
See page 12

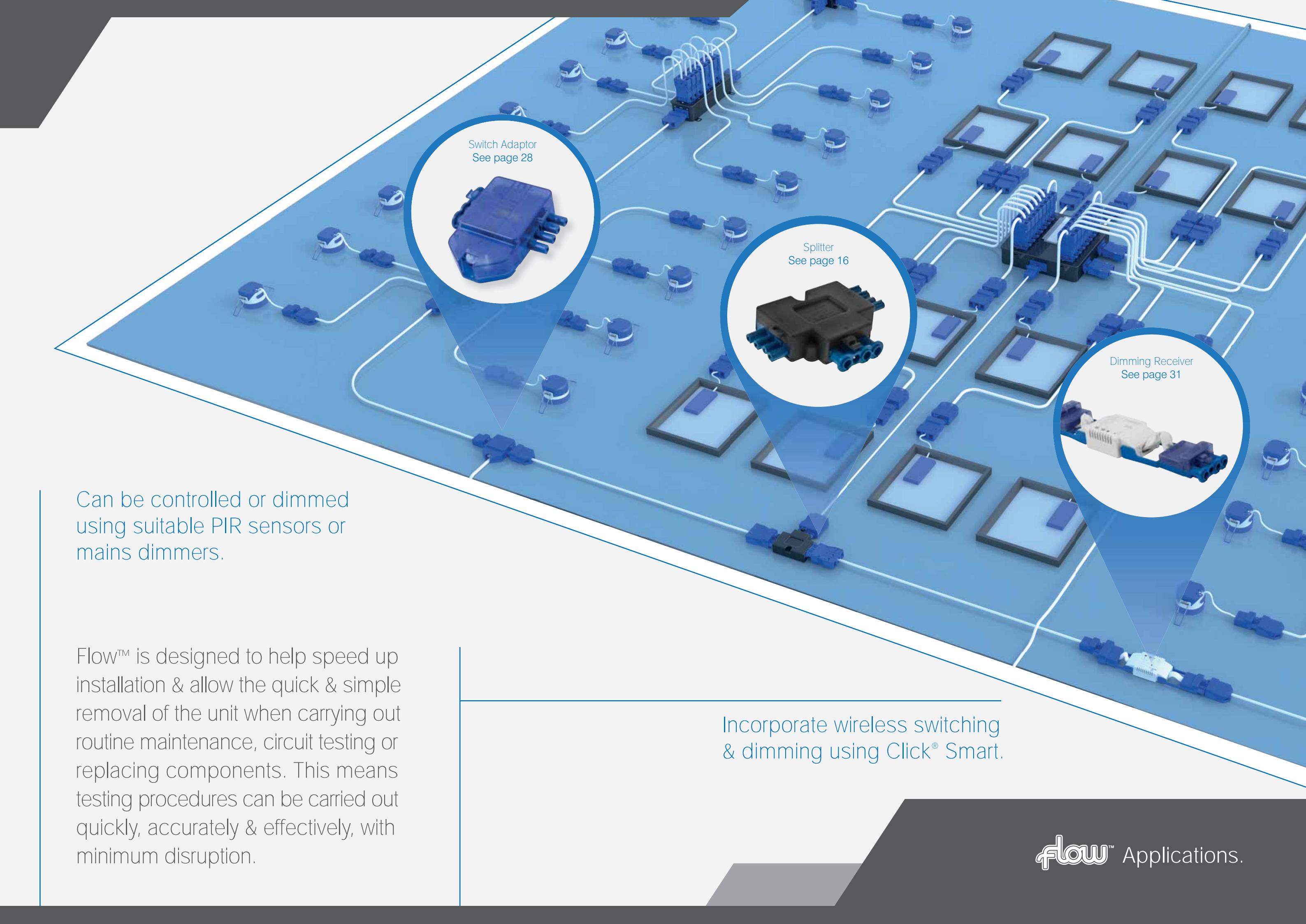


8 Gang Distribution Hub
See page 14



Using a combination of connectors, hubs & management boxes wiring a lighting circuit is easy, & with suitability of loads up to 20A you aren't just limited to lighting.

A durable & heavy duty finish to help withstand all installation requirements.



Switch Adaptor
See page 28



Splitter
See page 16



Dimming Receiver
See page 31



Can be controlled or dimmed using suitable PIR sensors or mains dimmers.

Flow™ is designed to help speed up installation & allow the quick & simple removal of the unit when carrying out routine maintenance, circuit testing or replacing components. This means testing procedures can be carried out quickly, accurately & effectively, with minimum disruption.

Incorporate wireless switching & dimming using Click® Smart.

16 Way Lighting Management Box

Designed to help contractors create more complex lighting installations quickly, easily & safely. Built-in selectable switching configurations save time in the planning & fitting stages of a project. Take control of up to 16 lights (24 using the CT350), with three different switching configurations, & easily add a switched live into a Flow™ circuit.

Dimmable

IP20

10 YEAR WARRANTY

Standards: BS 8488, BS 5733, BS EN 61535



Additional output allows interlinking or provides additional way.

CT1016

Suitable for Loads up to 20A

Can be used for more than just lighting.

Ample Fixing Points

Suitable for any method of installation.

Changeable Switch Modes

Built-in selectable switching configurations save time in the planning & fitting stages of a project & if an installation's requirement should change, it can be easily altered to suit.

Controlled & Dimmed

Management boxes can be controlled or dimmed using suitable PIR sensors or mains dimmers.

Durable Heavy Duty Finish

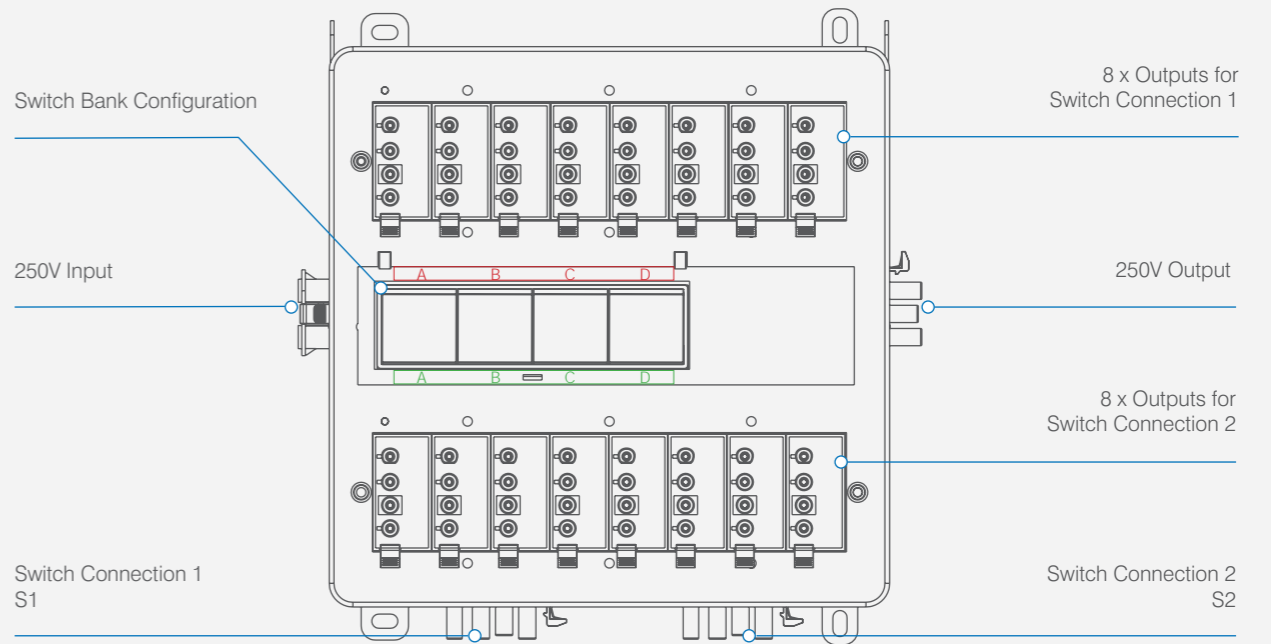
Can withstand all installation requirements.

Connectors are supplied

Supplied with 3 pole input connector & 2 x 4 pole switch input.

Additional 8 Ways

Using the CT350 splitter.



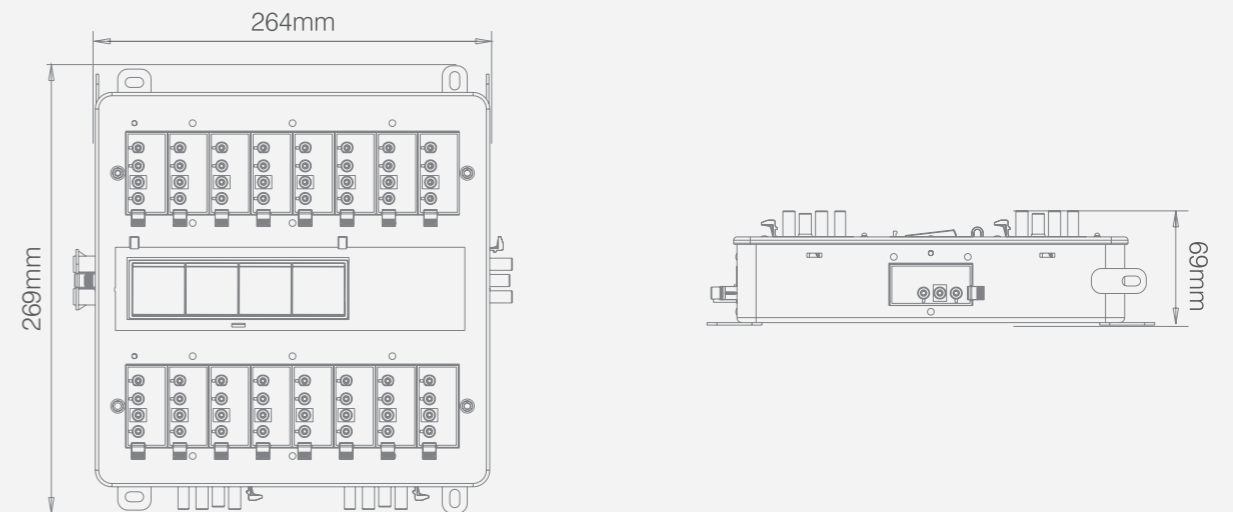
Switch Configuration

Switch Configuration	A	B	C	D	S1	S2
2 Way 16 Gang	●	●	●	●	●	●
2 X 8 Gang	●	●	●	●	●	●
1 X 16 Gang	●	●	●	●	●	●

1 x 16 way (1 way switching) 1 x 16 way (2 way switching) 2 x 8 way (1 way switching)

Dimensions

Dimensions: 269mm x 264mm x 69mm



8 Gang Distribution Hub

The 8 Gang Flow™ Distribution Hub has been designed to help contractors create more complex lighting installations quickly, easily & safely. Connect up to 8 lights (16 using the CT350), or you can connect another CT1008 to the output at the end.

Standards: BS 8488, BS 5733, BS EN 61535

Dimmable
IP20
10 YEAR WARRANTY



CT1008

1 x 8 Way Configuration

Utilises male & female Flow™ connector options & wired in conjunction with splitters & adaptors.

Ample Fixing Points

Suitable for any method of installation.

Suitable for Loads up to 20A

Can be used for more than just lighting.

Durable Heavy Duty Finish

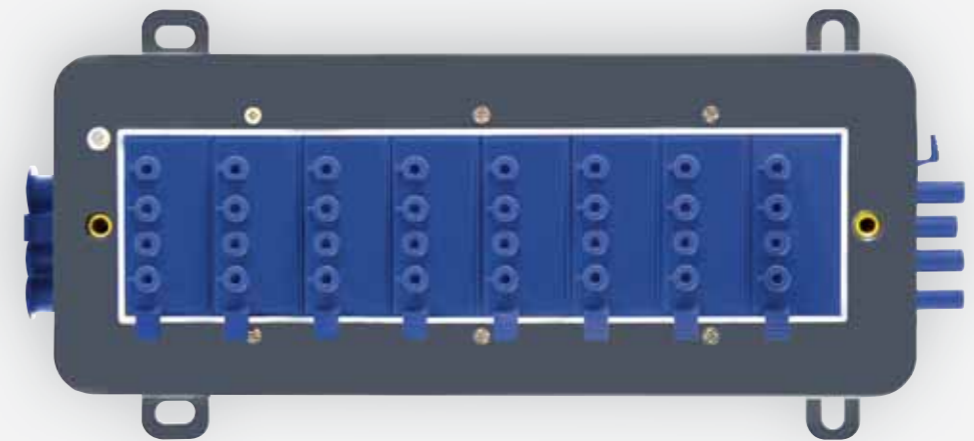
Can withstand all installation requirements.

Controlled & Dimmed

Management boxes can be controlled or dimmed using suitable PIR sensors or mains dimmers.

Additional 8 Ways

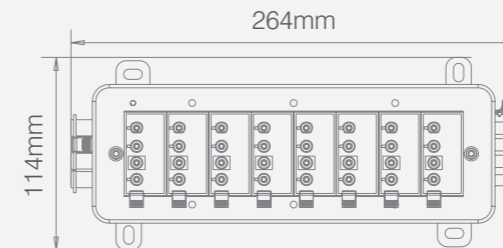
Using the CT350 splitter.



Additional output allows interlinking or provides additional way.

Dimensions

Dimensions: 264mm x 114mm x 70mm



Splitter & Hub

Dimmable

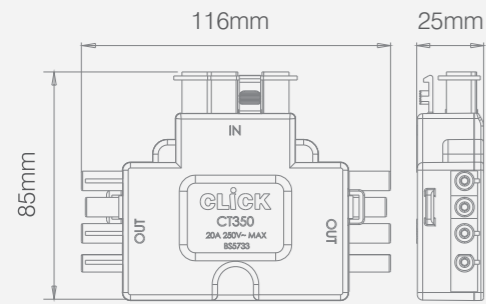
IP20

10 YEAR WARRANTY

Our Flow™ Splitter & Hub provides flexibility, which is important as requirements can change, the ability to add further outputs quickly without tools is a huge professional advantage, (can be linked up to 20A).

4 Pole Splitter - 1 In 2 Out

Standards: BS 8488, BS 5733, BS EN 61535



Dimensions: 85mm x 116mm x 25mm

CT350

Slimline

Specifically designed to be slimline so that it can be used with the lighting management boxes or split any circuit.

Versatile, Easy-Connection System

Allows up to double the amount of ways & has an easy lock & release mechanism.

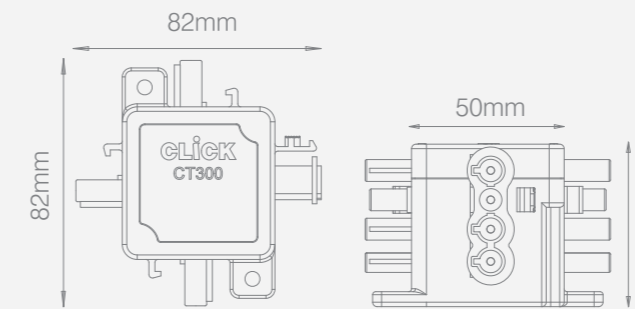
Use with CT1016

CT1016 will allow up to 8 units to be directly installed.



4 Pole Hub - 1 In 3 Out

Standards: BS 8488, BS 5733, BS EN 61535



Dimensions: 82mm x 82mm x 55mm

CT300

Quick & Easy

Provides installers with the perfect solution when adding lighting or appliances to an existing circuit.

Direct Connection

The Hub can be connected directly to another Hub or via the link cables.

Cut install time in half

The new Fast Fit Flow™ Connectors have push in lever terminals & are compatible with the current range of Flow™ Connectors. Time is a key factor during any installation process, therefore our new range of Push Fit Connectors with low maintenance terminals not only enhances the existing range but offers installers a time saving benefit because no screws are required!



Locking peg

The connector cover unlocks by simply turning the locking peg.



Strip length marker

Ensuring the installer correctly prepares the cable to the optimal length.



Time saving levers

Simply push lever down, offer stripped conductor into the terminal & then release the lever, ensuring the cable cannot easily be pulled out.



Built in cable clamps

In built on all entry points offering versatility on a range of cable types & sizes saving time for the installer as no screws are required.

Additions to the **flow**™ range.

250V 20A 3 Pole Fast Fit Connectors

The following are 3 Pole Fast Fit Plug-in Connectors offering loop-in & out facility with large terminals each accepting up to 2.5mm² Max. They have cable grips for where the installation limits the fixing of the connector.

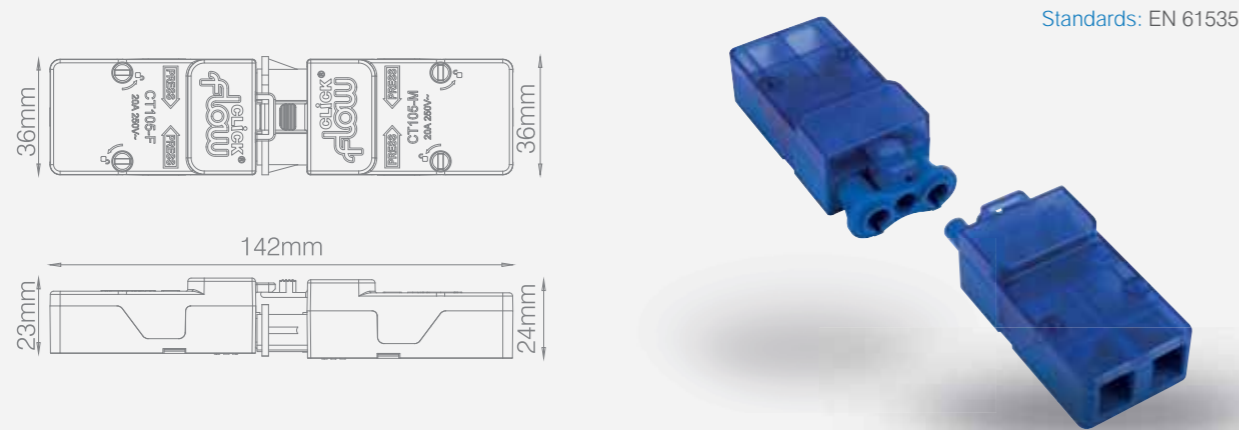
Dimmable

IP20

10 YEAR WARRANTY

Wiring Information:
 1 Max per terminal aperture,
 2 Max per terminal LNE,
 3 Max per loop terminal. (Applies to CT115F only)

3 Pole Complete - Push Fit Connector



Standards: EN 61535

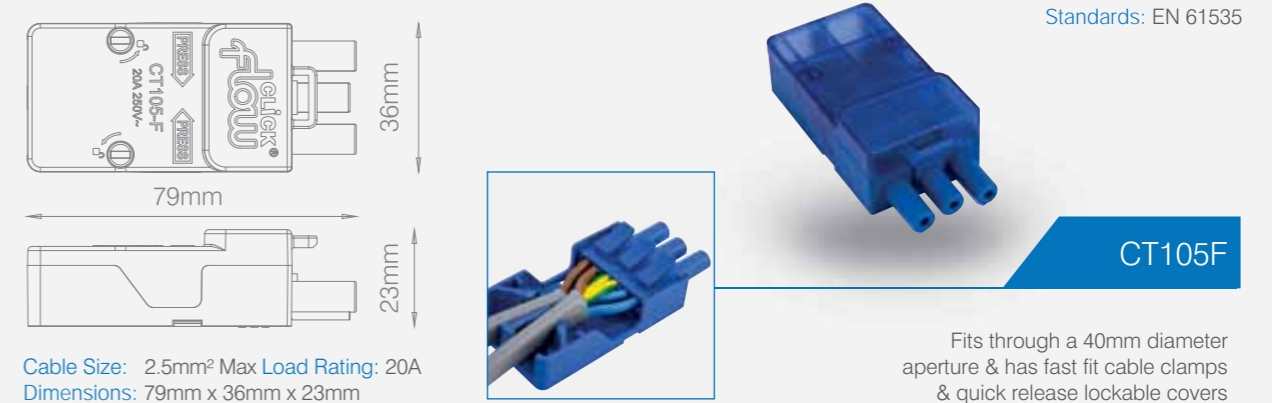
Cable Size: 2.5mm² Max
 Load Rating: 20A
 Dimensions: 142mm x 36mm x 24mm



CT105C

Fits through a 40mm diameter aperture & has fast fit cable clamps & quick release lockable covers

3 Pole Female - Push Fit Connector



Standards: EN 61535

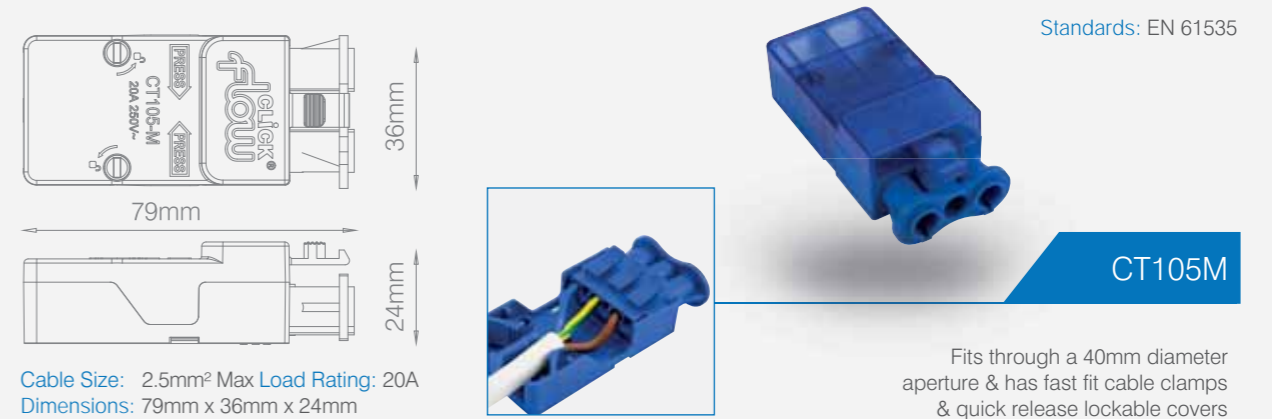
Cable Size: 2.5mm² Max Load Rating: 20A
 Dimensions: 79mm x 36mm x 23mm



CT105F

Fits through a 40mm diameter aperture & has fast fit cable clamps & quick release lockable covers

3 Pole Male - Push Fit Connector



Standards: EN 61535

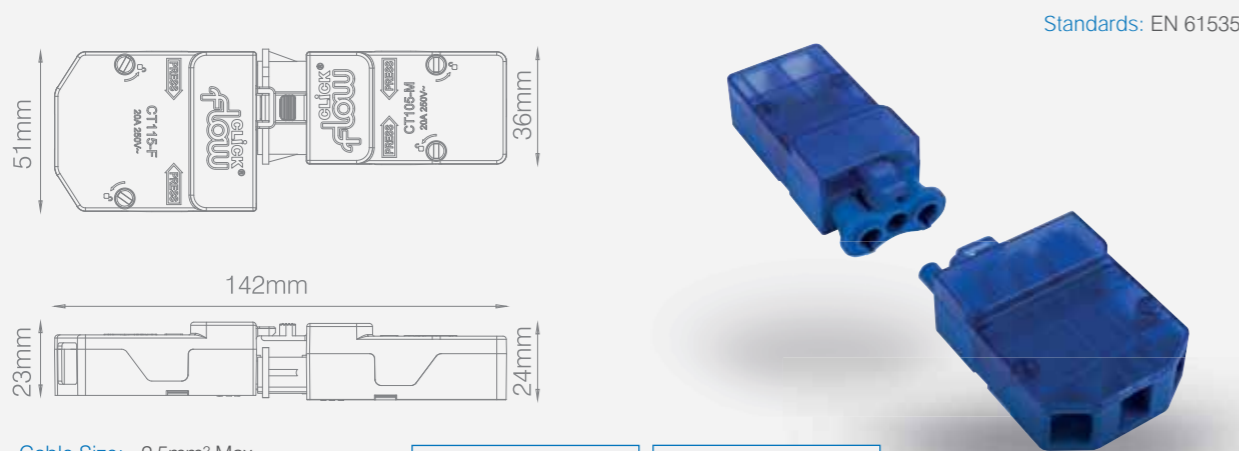
Cable Size: 2.5mm² Max Load Rating: 20A
 Dimensions: 79mm x 36mm x 24mm



CT105M

Fits through a 40mm diameter aperture & has fast fit cable clamps & quick release lockable covers

3 Pole Complete - Push Fit Connector with Loop



Standards: EN 61535

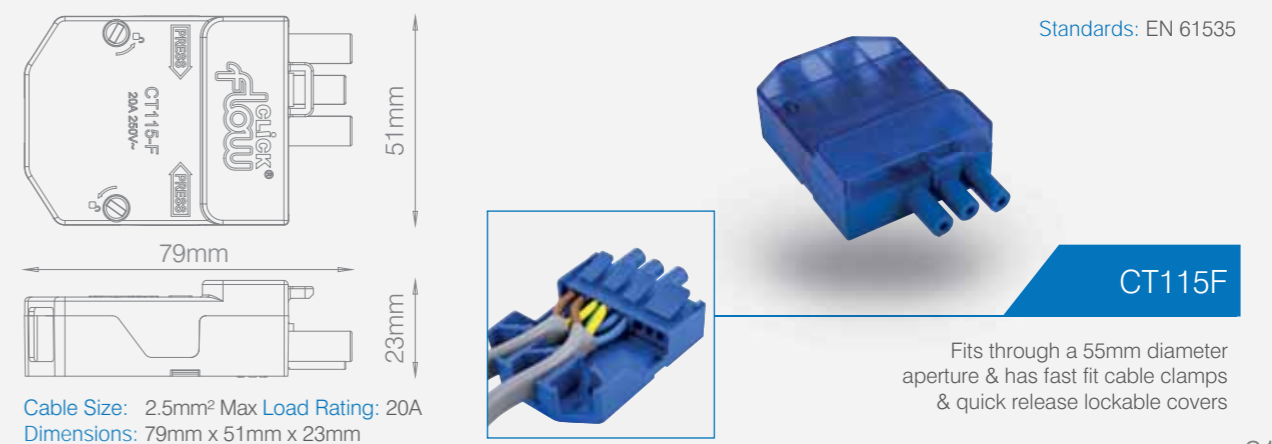
Cable Size: 2.5mm² Max
 Load Rating: 20A
 Dimensions: 142mm x 51mm x 24mm



CT115C

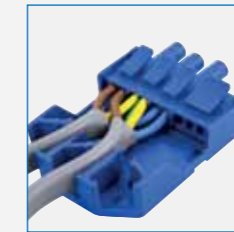
Fits through a 55mm diameter aperture & has fast fit cable clamps & quick release lockable covers

3 Pole Female - Push Fit Connector with Loop



Standards: EN 61535

Cable Size: 2.5mm² Max Load Rating: 20A
 Dimensions: 79mm x 51mm x 23mm



CT115F

Fits through a 55mm diameter aperture & has fast fit cable clamps & quick release lockable covers

250V 20A 4 Pole Fast Fit Connectors

Dimmable 

IP20

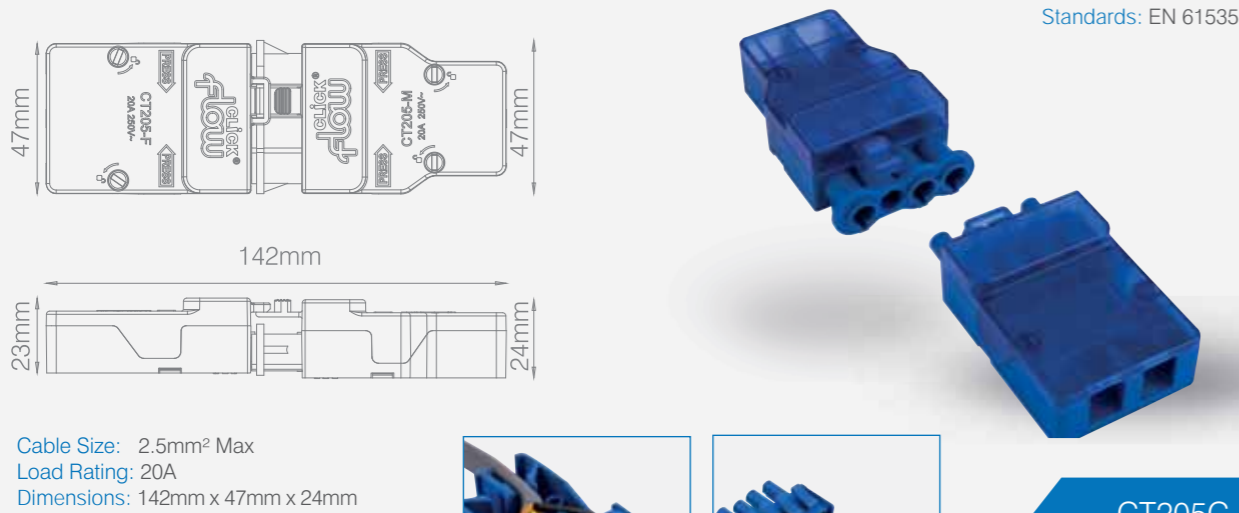
10 YEAR WARRANTY

The Flow™ Connectors on this page are 4 pole Fast Fit Plug-in Connectors with Auxiliary terminals & loop. Auxiliary provides the opportunity for a second switched live or permanent feed for use typically with emergency lighting applications.

Wiring Information:
 1 Max per terminal aperture,
 2 Max per terminal LNE,
 3 Max per loop terminal. (Applies to CT215F only)

4 Pole Complete - Push Fit Connector

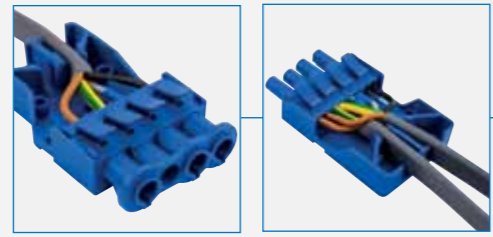
Standards: EN 61535



Cable Size: 2.5mm² Max
 Load Rating: 20A
 Dimensions: 142mm x 47mm x 24mm

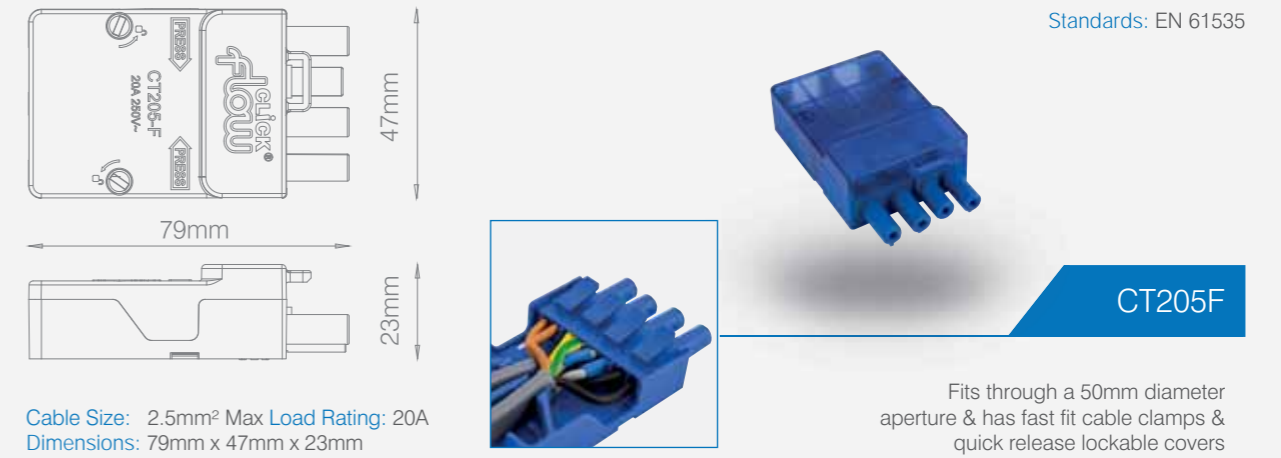
CT205C

Fits through a 50mm diameter aperture & has fast fit cable clamps & quick release lockable covers



4 Pole Female - Push Fit Connector

Standards: EN 61535



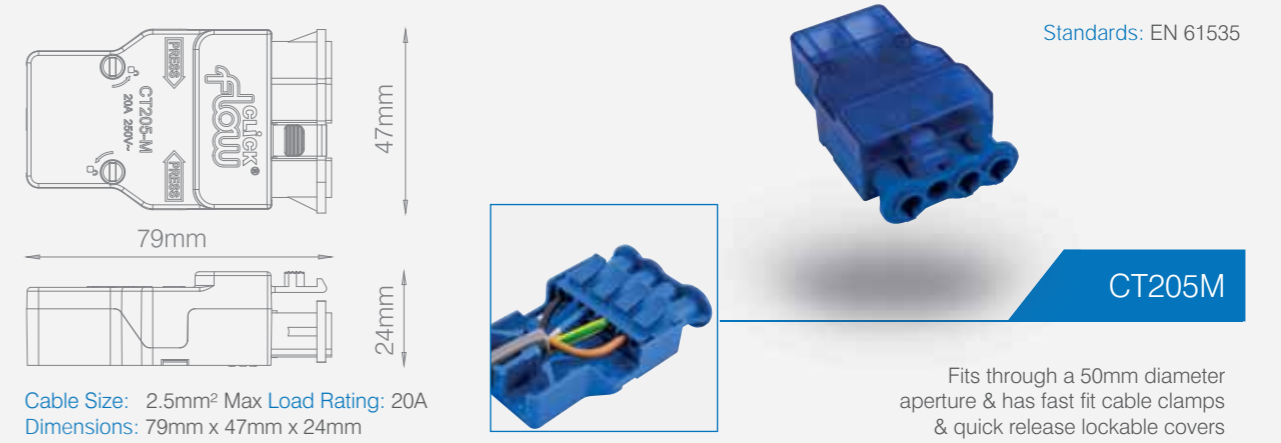
Cable Size: 2.5mm² Max Load Rating: 20A
 Dimensions: 79mm x 47mm x 23mm

CT205F

Fits through a 50mm diameter aperture & has fast fit cable clamps & quick release lockable covers

4 Pole Male - Push Fit Connector

Standards: EN 61535



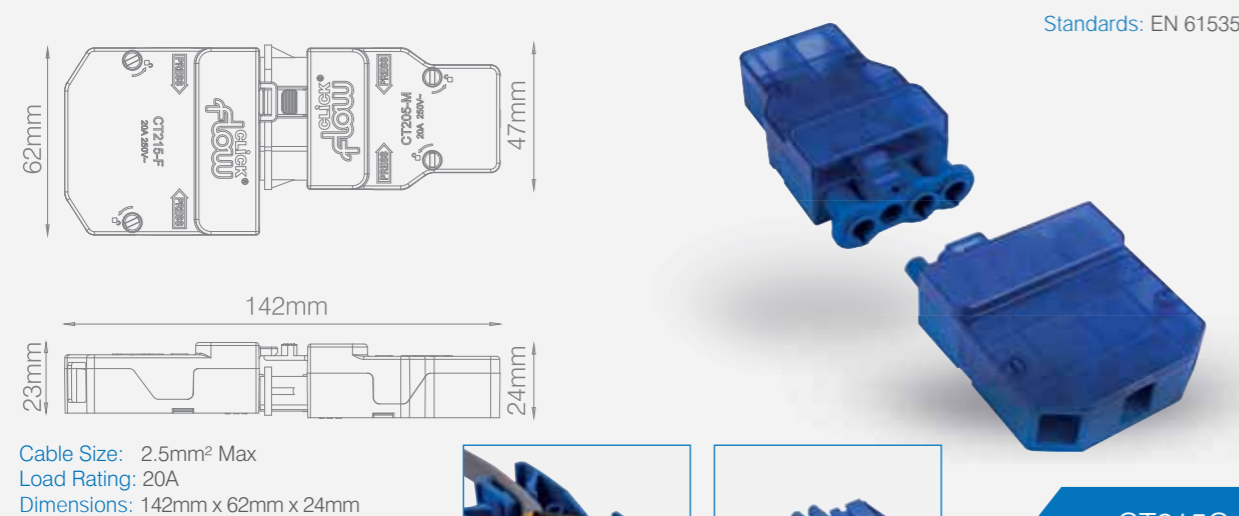
Cable Size: 2.5mm² Max Load Rating: 20A
 Dimensions: 79mm x 47mm x 24mm

CT205M

Fits through a 50mm diameter aperture & has fast fit cable clamps & quick release lockable covers

4 Pole Complete - Push Fit Connector with Loop

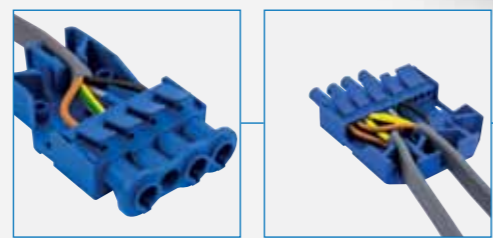
Standards: EN 61535



Cable Size: 2.5mm² Max
 Load Rating: 20A
 Dimensions: 142mm x 62mm x 24mm

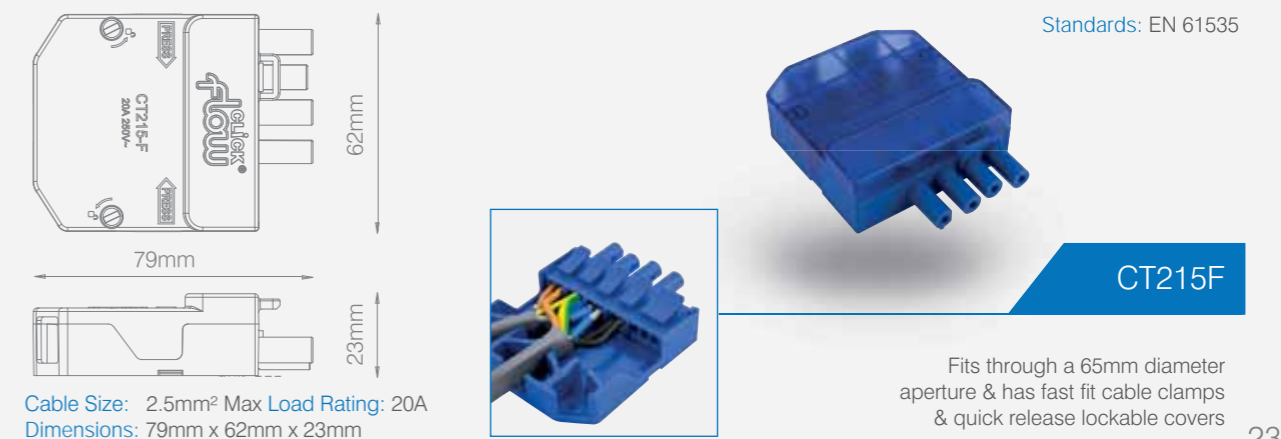
CT215C

Fits through a 65mm diameter aperture & has fast fit cable clamps & quick release lockable covers



4 Pole Female - Push Fit Connector with Loop

Standards: EN 61535



Cable Size: 2.5mm² Max Load Rating: 20A
 Dimensions: 79mm x 62mm x 23mm

CT215F

Fits through a 65mm diameter aperture & has fast fit cable clamps & quick release lockable covers

250V 20A 3 Pole Connectors

Dimmable

IP20

10 YEAR WARRANTY

Flow™ Connectors allow quick connection, configuration & re-configuration of circuits, primarily intended for lighting. The following are 3 Pole Plug-in Connectors offering loop-in & out facility with large terminals accepting up to 3 x 2.5mm². They have cable grips for where the installation limits the fixing of the connector.

3 Pole - Fast-Fit Cord Grip

Standards: BS 5733

CT101C

Fits through a 48mm diameter aperture. Cord restraint is fitted within the male connector.

Cable Size: 4 x 1mm² Flex / 3 x 2.5mm²
Load Rating: 20A
Dimensions: 105mm x 40mm x 23mm

3 Pole - Fast-Fit Cord Grip

Standards: BS EN 61535

CT103C

Fits through a 53mm diameter hole with fast fit cable clamps & quick release lockable covers.

Cable Size: 4 x 1mm² Flex / 3 x 2.5mm²
Load Rating: 20A
Dimensions: 135mm x 50mm x 25mm

3 Pole - Screw Down Cord Grip

Standards: BS EN 61535

CT102C

Fits through a 51mm diameter aperture. Screw cord restraints & covers fitted on both male & female connectors.

Cable Size: 4 x 1mm² Flex / 3 x 2.5mm²
Load Rating: 20A
Dimensions: 105mm x 50mm x 23mm

Male 3 Pole - Fast-Fit Cord Grip

Standards: BS EN 61535

CT103M

A single male connector which fits through a 55mm diameter hole, with fast fit cable clamps & quick release lockable covers.

Cable Size: 4 x 1mm² Flex / 3 x 2.5mm²
Load Rating: 20A
Dimensions: 73mm x 50mm x 25mm

250V 20A 3 & 4 Pole Connectors

The Flow™ Connectors on this page are 4 pole Plug-in Connectors with Auxiliary terminals & loop. Auxiliary provides the opportunity for a second switched live or permanent feed for use typically with emergency lighting applications.

Dimmable

IP20

10 YEAR WARRANTY

4 Pole - Screw Down Cord Grip

Standards: BS EN 61535

Dimensions: 105mm x 50mm x 23mm
Cable Size: 4 x 1mm² Flex / 3 x 2.5mm²
Load Rating: 20A

CT202C

Fits through a 54mm diameter aperture. Screw cord restraints & covers fitted on both male & female connectors.

Male 4 Pole - Fast-Fit Cord Grip

Standards: BS EN 61535

Dimensions: 75mm x 50mm x 25mm
Cable Size: 4 x 1mm² Flex / 3 x 2.5mm²
Load Rating: 20A

CT203M

A single male connector which fits through a 55mm diameter hole & has fast fit cable clamps & quick release lockable covers.

4 Pole - Fast-Fit Cord Grip

Standards: BS EN 61535

Dimensions: 135mm x 49mm x 23mm
Cable Size: 4 x 1mm² Flex / 3 x 2.5mm²
Load Rating: 20A

CT203C

Fits through a 55mm diameter hole with fast fit cable clamps & quick release lockable covers.

Ceiling Rose Connector & Cover

Standards: BS 5733, BS 8488, BS EN 61535

Cable Size: 4 x 1mm² Flex / 3 x 2.5mm²
Load Rating: 20A
Dimensions: 83mm diameter x 35mm (suitable for conduit mounting)

CT1400

Recommended connectors:
3 Pole CT101C & 4 Pole CT202C.
Not suitable for use with CT103 & CT203.

Dimensions: 83mm diameter x 65mm

4 Pole Switch Adaptor

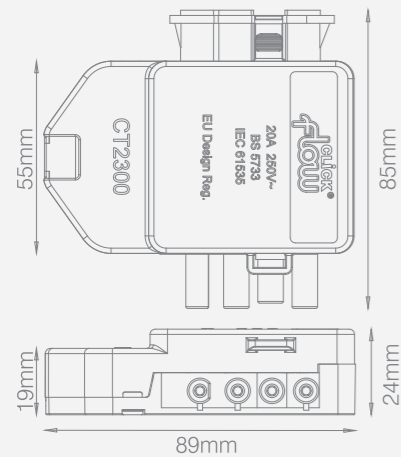
Dimmable

IP20

10 YEAR WARRANTY

We recognise that your time is money, with easy access large terminals & fast connection, pre-wired with Earth, Neutral & Auxiliary links, our plug-in switch adaptor easily adds a switched live into a Flow™ circuit where access to an auxiliary output & input is required.

250V 20A 4 Pole



Cable Size: 4 x 1mm², 3 x 2.5mm²
 Load Rating: 20A
 Dimensions: 89x85mm x 24mm

Standards: BS EN 61535, BS 8488, BS 5733



Integrate with PIR's & Emergency Lighting whilst maintaining the integrity of the permanent live.



CT2300

Quick & Easy

Pre-wired 1.5mm² with Earth Neutral & Auxiliary links & a loop facility. Large terminals with easy access & terminal screws supplied raised.

Versatile, Easy-Connection System

Easy lock & release mechanism on the covers. In built cable grips for additional security on a range of cable types & sizes.

CT1300

A 250V 20A 3 Pole Switch Adaptor is also available as an alternative to this product.

Simple Installation

Use with the link cables for easier installation.

Pre-Wired Link Cables

Standards: BS 5733, BS EN 61535, EN 50525-2-11, EN 50525-3

The addition of a Pre-Wired Link Cable provides a quick & easy solution when adding additional lighting or appliances to an existing Flow™ circuit.



Low Smoke Zero Halogen

Cable Size: 4 x 0.75mm²
 Dimensions: Fits through a 55mm hole

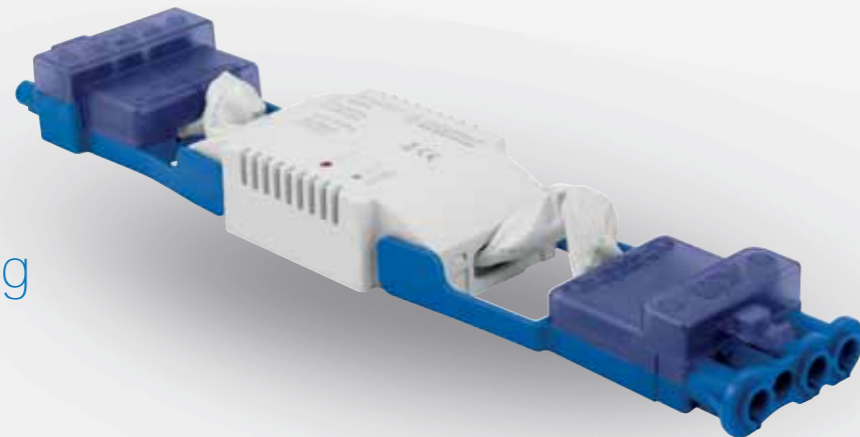
6A 4 Pole

Pre-wired with CT202C.

Receivers with Pre-Wired Flow™ Enclosures

Security, energy saving, comfort & control for your home or business. Our Click® Smart Receivers with Pre-Wired Flow™ Housing are compatible with all Flow™ connectors & distribution boxes within the range & they can be controlled by up to 32 transmitting devices.

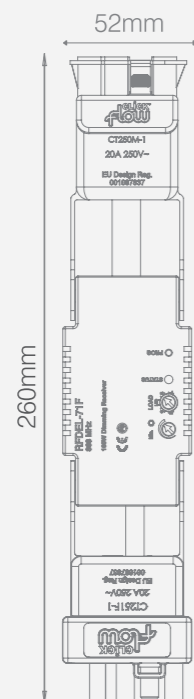
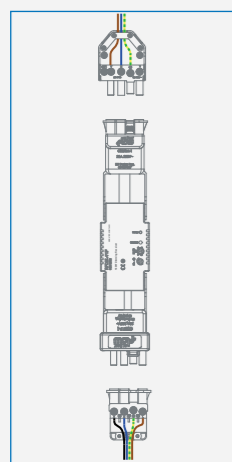
Suitable for switching most domestic & commercial loads.



Switching Receiver - 16A Max

Dimensions: 60mm x 52mm x 25mm

RFSA-61F



6 Functions of Operation

Programming is performed by the 'PROG' button which also acts as a manual override, the status of the device is signalled by an LED on the front panel. 6 functions of operation include Push-Button, Close, Open, Impulse Relay, Delayed Off, Delayed On.

Flexible Wireless Switching

The Click® Smart control makes it easier to switch & dim wirelessly from preferred locations without the use of switch drops.

Versatile

Suitable for the control of devices such as, lights, heating, garage doors, socket-outlets etc.

Easy Install

Pre-fitted Flow™ connectors allow simple connection & disconnection for fitting into new or existing installations & also for periodic testing to be carried out.

Standards: EN 60669, EN 300220, EN 301489
BS 5733, IEC 61535

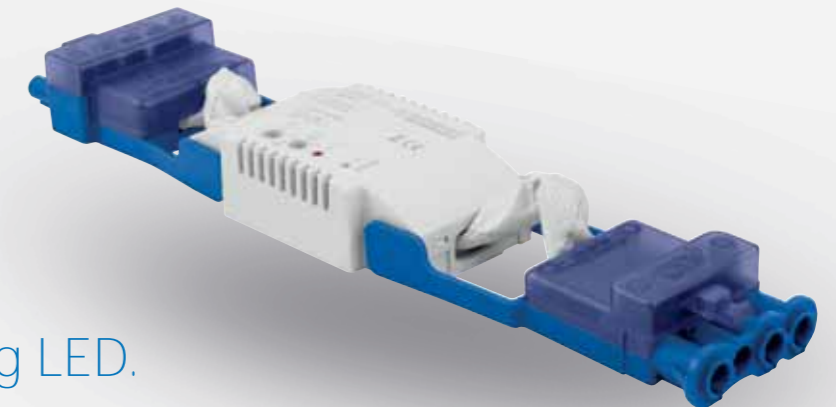
Dimmable



IP20

1 YEAR WARRANTY

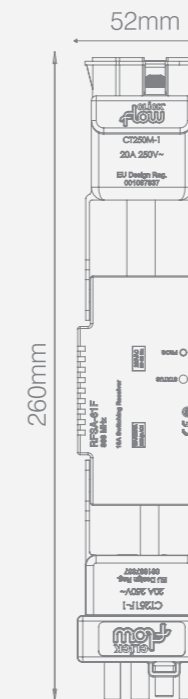
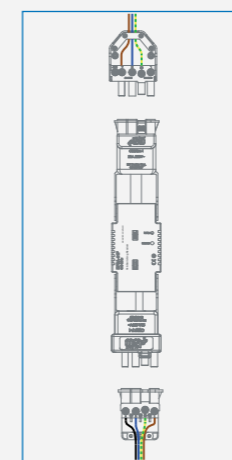
Switch & dim up to 160W loads, including LED.



Dimming Receiver - 160W Max

Dimensions: 60mm x 52mm x 25mm

RFDEL-71F



Dimmable

Will dim up to 160W of most dimmable LED's, CFLi's, mains & low-voltage halogen lights with a dimmable transformer as well as standard tungsten filament.

Load Selection Control

More compatibility for LED sources, either LED or capacitive load can be selected.

Rotary 'Trim' Control

Gives adjustment so the lights can remain slightly ON & also eradicate flickering which may occur.

7 Functions of Operation

The programming is performed by using the button 'PROG' which also acts as a manual override, there are 6 various dimming functions plus ON/OFF.

Easy Operation

A short press will turn the light ON or OFF, a long press dims the lights UP or DOWN.

Electronic Over-Voltage Protection

Switches off the output when the dimmer is overloaded or open circuit.

Compatibility

Offers leading & trailing edge technology with trim facility. Compatible with most dimmable LED light sources.

Wiring a lighting circuit is quick & easy, using a combination of connectors, hubs & management boxes. The expanded Flow™ range comprises of...



CT1016
230V~ 20A 16 Way Lighting Management Box
(3 pole input connector & 2 x 4 pole switch input connectors are supplied.)



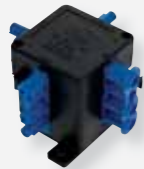
CT1008
230V~ 20A 8 Way Distribution Box



RFSA-61F
16A Switching Receiver



RFDEL-71F
160Va LED Dimming Receiver



CT300
250V~ 20A 4 Pole (1 In 3 Out)
Flow™ Hub



CT350
230V~ 20A 4 Pole Splitter (1 In 2 Out)



CT1300
250V~ 20A 3 Pole Flow™ Switch Adaptor
(With Pre-Wired Earth & Neutral Links)



CT2300
250V~ 20A 4 Pole Flow™ Switch Adaptor
(With Pre-Wired Earth, Neutral & Auxiliary Links)

Pre-Wired Low Smoke Zero Halogen Cables

CT732
6A 3 Pole 0.75mm²
to free end 2M



CT733
6A 3 Pole 0.75mm²
to free end 3M



CT735
6A 3 Pole 0.75mm²
to free end 5M



CT742
6A 4 Pole 0.75mm²
to free end 2M



CT743
6A 4 Pole 0.75mm²
to free end 3M



CT745
6A 4 Pole 0.75mm²
to free end 5M



CT845
20A 4 Pole 2.5mm²
Extension Cable - 5M



Pre-Wired PVC Link Cables



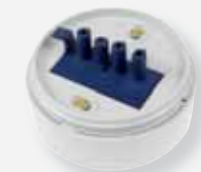
CT802
6A 4 Pole Flow™ Extension Cable - 2M



CT803
6A 4 Pole Flow™ Extension Cable - 3M



CT805
6A 4 Pole Flow™ Extension Cable - 5M



CT1400
250V~ 20A 4 Pole Flow™ Ceiling Rose



CT1401
Flow™ Ceiling Rose Cover
(For CT1400)

Our 3 & 4 Pole Flow™ connectors make wiring a lighting circuit easy, our new Fast Fit versions are screwless making install even quicker!

3 Pole Connectors



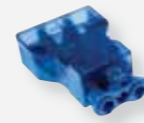
CT101C
250V~ 20A 3 Pole Connector



CT102C
250V~ 20A 3 Pole Connector
(Screw Cable Clamps)



CT103C
250V~ 20A 3 Pole Connector
(Fast-fit Cable Clamps)

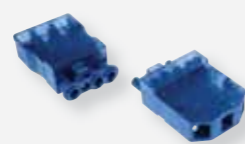


CT103M
250V~ 20A 3 Pole Male Connector
(Fast-fit Cable Clamps)

4 Pole Connectors



CT202C
250V~ 20A 4 Pole Connector
(Screw Cable Clamps)



CT203C
250V~ 20A 4 Pole Connector
(Fast-fit Cable Clamps)

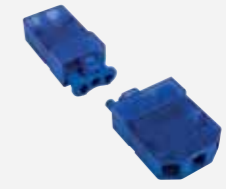


CT203M
250V~ 20A 4 Pole Male Connector
(Fast-fit Cable Clamps)

3 Pole Fast Fit Connectors



CT105C
CT105M + CT105F
250V~ 20A 3 Pole Fast Fit Connector



CT115C
CT105M + CT115F
250V~ 20A 3 Pole Fast Fit Connector with loop terminal



CT105F
250V~ 20A 3 Pole Female
Fast Fit Connector



CT105M
250V~ 20A 3 Pole Male
Fast Fit Connector



CT115F
250V~ 20A 3 Pole Female
Fast Fit Connector with loop terminal

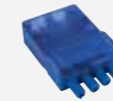
4 Pole Fast Fit Connectors



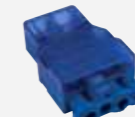
CT205C
CT205M + CT205F
250V~ 20A 4 Pole Fast Fit Connector



CT215C
CT205M + CT215F
250V~ 20A 4 Pole Fast Fit Connector



CT205F
250V~ 20A 4 Pole Female
Fast Fit Connector



CT205M
250V~ 20A 4 Pole Male
Fast Fit Connector



CT215F
250V~ 20A 4 Pole Female
Fast Fit Connector with loop terminal

CT1016

General Information

Flow™ 16 Way Lighting Management Box



Material Composition	Front Plate, Back Box, Mounting Plate: Mild Steel Male & Female Connectors: Nylon PA66 Switch Cover: Polycarbonate Terminals: HPb59-1 (CU 59%) Silver Plated Terminal Screws: Steel & Yellow Passivated Dust Covers Provided: Polycarbonate
Voltage	230V~ 50Hz
Load Rating	20A Max
Compatible Connectors	16 Outputs: Suitable 3 Pole or 4 Pole Male Connectors CT103M - 3 Pole Male Connector (Fast-fit Cable Clamps) CT203M - 4 Pole Male Connector (Fast-fit Cable Clamps) CT105M - 3 Pole Male Connector (Fast-fit) CT205M - 4 Pole Male Connector (Fast-fit) 3 or 4 Pole Cables (See Range Overleaf) CT350 - 4 Pole (1 In 2 Out) Splitter 1 x 3 Pole Output: Suitable 3 Pole Male Connectors CT103M - 3 Pole Male Connector (Fast-fit Cable Clamps) CT105M - 3 Pole Male Connector (Fast-fit) 3 Pole Cables (See Range Overleaf) CT350 - 4 Pole (1 In 2 Out) Splitter
Input / Output	Main Input: 1 x 3 Pole Female Connector (Supply In) - Supplied Switch Inputs: 2 x 4 Pole Male Connectors (No Neutral) - Supplied 16 Outputs: 3 Pole or 4 Pole Male Connectors - To Be Selected 3 Pole Output: 1 x 3 Pole Male Connector - To Be Selected
Warranty	10 Years
IP Rating	IP20
Operational Temperature	-5° to +40°C
Standards	BS 5733, BS 8488 , BS EN 61535

CT1008

General Information

Flow™ 8 Gang Distribution Hub



Material Composition	Front Plate, Back Box, Mounting Plate: Mild Steel Male & Female Connectors: Nylon PA66 Terminals: HPb59-1 (CU 59%) Silver Plated Terminal Screws: Steel & Yellow Passivated Dust Covers Provided: Polycarbonate
Voltage	230V~ 50Hz
Load Rating	20A Max
Compatible Connectors	8 Outputs: Suitable 3 Pole or 4 Pole Male Connectors CT103M - 3 Pole Male Connector (Fast-fit Cable Clamps) CT203M - 4 Pole Male Connector (Fast-fit Cable Clamps) CT105M - 3 Pole Male Connector (Fast-fit) CT205M - 4 Pole Male Connector (Fast-fit) CT350 - 4 Pole (1 In 2 Out) Splitter
Input / Output	Main Input: 1 x 4 Pole Female Connector - To Be Selected 8 Outputs: 3 Pole or 4 Pole Male Connectors - To Be Selected 4 Pole Output: 1 x 4 Pole Male Connector - To Be Selected
Warranty	10 Years
IP Rating	IP20
Operational Temperature	-5° to +40°C
Standards	BS 5733, BS 8488 , BS EN 61535

CT300

General Information

Flow™ Hub



Material Composition	Covers: Nylon PA66 Base: Nylon PA66 Terminals: HPb59-1 (CU 59%) Silver Plated Terminal Screws: Steel & Yellow Passivated
Voltage	250V~ 50Hz (CT300)
Load Rating	20A Max
Compatible Connectors	1 Input: Suitable 3 Pole or 4 Pole Female Connectors (Can use any complete 3 pole or 4 pole connector as will supply both the input & one output). 3 Outputs: Suitable 3 Pole or 4 Pole Male Connectors CT103M - 3 Pole Male Connector (Fast-fit Cable Clamps) CT203M - 4 Pole Male Connector (Fast-fit Cable Clamps) CT105M - 3 Pole Male Connector (Fast-fit) CT205M - 4 Pole Male Connector (Fast-fit) 3 or 4 Pole Cables (See Range Overleaf) CT300 - 4 Pole (1 In 3 Out) Hub CT350 - 4 Pole (1 In 2 Out) Splitter
Input / Output	CT300: 1 Male Input, 3 Female Outputs
Warranty	10 Years
IP Rating	IP20
Operational Temperature	-5° to +40°C
Standards	BS 5733, BS 8488 , BS EN 61535

CT350

General Information

Flow™ Splitter



Material Composition	Covers: Nylon PA66 Base: Nylon PA66 Terminals: HPb59-1 (CU 59%) Silver Plated Terminal Screws: Steel & Yellow Passivated
Voltage	230V~ 50Hz (CT350)
Load Rating	20A Max
Compatible Connectors	1 Input: Suitable 3 Pole or 4 Pole Female Connectors (Can use any complete 3 pole or 4 pole connector as will supply both the input & one output). 2 Outputs: Suitable 3 Pole or 4 Pole Male Connectors CT103M - 3 Pole Male Connector (Fast-fit Cable Clamps) CT203M - 4 Pole Male Connector (Fast-fit Cable Clamps) CT105M - 3 Pole Male Connector (Fast-fit) CT205M - 4 Pole Male Connector (Fast-fit) 3 or 4 Pole Cables (See Range Overleaf) CT300 - 4 Pole (1 In 3 Out) Hub CT350 - 4 Pole (1 In 2 Out) Splitter
Input / Output	CT350: 1 Male Input, 2 Female Outputs
Warranty	10 Years
IP Rating	IP20
Operational Temperature	-5° to +40°C
Standards	BS 5733, BS 8488 , BS EN 61535

CT1400 & CT1401

General Information

Flow™ Ceiling Rose & Cover



Material Composition	Ceiling Rose: Polycarbonate Ceiling Rose Cover: Polycarbonate Female Module: Nylon PA66 Terminals: HPb59-1 (CU 59%) Silver Plated Terminal Screws: Steel & Yellow Passivated
Voltage	250V~ 50Hz
Load Rating	20A Max
Terminal Conductor Sizes	Up to 3 x 2.5mm ² T&E
Compatible Connectors with Ceiling Rose Cover	CT101C - 3 Pole Connector CT102C - 3 Pole Connector (Screw Cable Clamps) CT202C - 4 Pole Connector (Screw Cable Clamps)
Compatible Connectors without Ceiling Rose Cover	3 or 4 Pole Male Connectors From The Flow Range (CT1401 can only be used with CT101C, CT102C & CT202C connectors)
Warranty	10 Years
IP Rating	IP20
Operational Temperature	-5° to +40°C
Standards	BS 5733, BS 8488 , BS EN 61535

CT1300

General Information

Flow™ 3 Pole Switch Adaptor



Material Composition	Cover: Polycarbonate Base: Nylon PA66 Terminals: HPb59-1 (CU 59%) Silver Plated Terminal Screws: Steel & Yellow Passivated
Voltage	250V~ 50Hz
Load Rating	20A Max
Terminal Conductor Size	Up to 4 x 1.00mm ² T&E
Compatible Products	Compatible with all 3 & 4 Pole Connectors, Hubs, Splitter & Lighting Management Box.
Input / Output	Input - 3 Pole Female Connector Required Output - 3 Pole Male Connector Required Switch Input - Up to 4 X 1mm ² flat twin & earth cable
Pre-Wired Links	1.5mm ² Earth & Neutral Links
Warranty	10 Years
IP Rating	IP20
Operational Temperature	-5° to +40°C
Standards	BS 5733, BS 8488 , BS EN 61535

Connectors with Link Cables

CT732 CT733 CT735 CT742 CT743 CT745 CT845

General Information

Flow™ Connectors with Link Cables



Material Composition	Connector Cover: Polycarbonate Connector Base: Nylon PA66 Connector Terminals: HPb59-1 (CU 59%) Silver Plated Connector Terminal Screws: Steel & Yellow Passivated Cable: PVC Sheathing (70°C Max) Cable: LSZH Sheathing (70°C Max)
Voltage	250V~ 50Hz
Load Rating	6A Max. (CT845 - 20A Max)
Cable Type	4 x 0.75mm ² Flex H05 VV-F (CT802, CT803 & CT805) 3 / 4 x 0.75mm ² Low Smoke Zero Halogen H05 Z1Z1-F 4 x 2.5mm ² Low Smoke Zero Halogen H05 Z1Z1-F (CT845)
Marking of Poles	3 Pole: Male: L-E-N 4 Pole: Male: L-E-N-A
Cut-out Required	3 Pole - 51mm Diameter Aperture 4 Pole - 55mm Diameter Aperture
Warranty	10 Years
IP Rating	IP20
Standards	BS 5733, BS EN 61535, EN 50525-2-11, EN 50525-3

CT2300

General Information

Flow™ 4 Pole Switch Adaptor

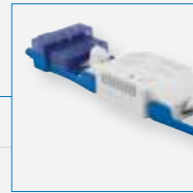


Material Composition	Cover: Polycarbonate Base: Nylon PA66 Terminals: HPb59-1 (CU 59%) Silver Plated Terminal Screws: Steel & Yellow Passivated
Voltage	250V~ 50Hz
Load Rating	20A Max
Terminal Conductor Size	Up to 4 x 1.00mm ² T&E
Compatible Products	Compatible with all 3 & 4 pole Connectors, Hubs, Splitter & Lighting Management Box.
Input / Output	Input - 3 Or 4 Pole Female Connector Required Output - 3 Or 4 Pole Male Connector Required Switch Input - Up to 4 X 1mm ² flat twin & earth cable
Pre-Wired Links	2.5mm ² Earth, Neutral & Auxiliary Links
Warranty	10 Years
IP Rating	IP20
Operational Temperature	+5° to +40°C
Standards	BS 5733, BS 8488 , BS EN 61535

RFDEL-71F

General Information

Flow™ Dimming Receiver



Supply voltage	230V AC / 50Hz
Apparent consumption	1.1 VA
Dissipated power	0.8W
Tolerance of supply voltage	+10 -15 %
Connection	4 Pole Flow™ Male / Female Connector CT202C - 4 Pole Connector (Screw Cable Clamps) CT203C - 4 Pole Connector (Fast-fit Cable Clamps) CT205C - 4 Pole Connector (Fast-Fit) CT205M - 4 Pole Male Connector (Fast-Fit) CT215F - 4 Pole Female Connector With Loop (Fast-Fit)
Resistive load	160W
Capacitive load	160W
Inductive load	160W
Packet from transmitter	868 MHz
Manual control	PROG (ON/OFF)
Range in open space	Up to 160M
Operational temperature	-20 °C to +35 °C
Operational position	Any
Mounting	Any position
Protection degree	IP20
Over voltage category	III.
Pollution level	2
Housing / Connector Material	Zero Halogen Polycarbonate
Dimensions	260.5 x 52.2 x 25.3mm
Weight	140g
Standards	EN50491-1, EN5049102, EN50491-3 EN50491-4-1, EN50491-5-1, EN50491-5-2 ETSI EN 301489-3, ETSI EN 300220-2 EN 60669-2-1 BS 5733, IEC 61535
Warranty	12 Months

RFSA-61F

General Information

Flow™ Switching Receiver



Supply voltage	230V AC
Input	7 VA / $\cos \Phi = 0.1$
Loss consumption	0.7W
Tolerance of supply voltage	+10 %; -15 %
Connection	4 Pole Flow™ Male / Female Connector CT202C - 4 Pole Connector (Screw Cable Clamps) CT203C - 4 Pole Connector (Fast-fit Cable Clamps) CT205C - 4 Pole Connector (Fast-Fit) CT205M - 4 Pole Male Connector (Fast-Fit) CT215F - 4 Pole Female Connector With Loop (Fast-Fit)
Number of contacts	1x NO/ SPDT (AgSnO2)
Load Rating	16 A / AC1
Switched output	4000 VA / AC1, 384 W / DC
Peak current	30 A / <3 s
Switched voltage	250 V AC1 / 24 V DC
Min. Switched output DC	500 mW
Mechanical life	3x107
Electrical life (AC1)	0.7x105
Packet from transmitter	868 MHz
Emergency control	PROG (ON/OFF)
Range in open space	Up to 200M
Operational temperature	-15 °C to +55 °C (5 °F to 131 °F)
Operational position	Any
Mounting	Any position
Protection degree	IP20
Over voltage category	III.
Pollution level	2
Housing / Connector Material	Zero Halogen Polycarbonate
Dimensions	260.5 x 52.2 x 25.3mm
Weight	150g
Standards	EN50491-1, EN5049102, EN50491-3 EN50491-1, EN5049102, EN50491-3 ETSI EN 301489-3, ETSI EN 300220-2 EN 60669-2-1 BS 5733, IEC 61535
Warranty	12 Months



Connectors

CT101C CT102C CT103C CT103M CT202C CT203C CT203M

General Information

Flow™ Connectors



Material Composition	Cover: Polycarbonate (RAL 5013) Base: Nylon PA66 (RAL 5005) Terminals: HPb59-1 (CU 59%) Silver Plated Terminal Screws: Steel & Yellow Passivated
Voltage	250V – 50Hz
Load Rating	20A Max
Rated Impulse Voltage	4kV
Terminal Diameter	4.2mm
Terminal Conductor Sizes	CT101C - CT101F = up to 3 x 2.5mm ² T&E, CT101M = up to 1.5mm ² Flex CT102C - CT102F = up to 3 x 2.5mm ² T&E, CT101M = up to 1.5mm ² Flex CT103C - Either: up to 3 x 2.5mm ² T&E or 4 x 1.5mm ² Flex can be used CT103M - 3 Pole Male Connector (Fast-fit Cable Clamps) CT202C - CT202F = up to 3 x 2.5mm ² T&E, CT202M = up to 1.5mm ² Flex CT203C - Either: up to 3 x 2.5mm ² T&E or 4 x 1.5mm ² Flex can be used CT203M - 4 Pole Male Connector (Fast-fit Cable Clamps)
Cut-out Required	55mm Diameter Aperture, 46mm Diameter Aperture (CT101C)
Warranty	10 Years
IP Rating	IP20
Operational Temperature	-5° to +40°C
Standards	BS 5733 (CT101C) BS EN 61535

Connectors

CT105M CT105F CT205M CT205F CT115F CT215F CT105C CT205C CT115C CT215C

General Information

Fast Fit Flow™ Connectors



Material Composition	Cover: Polycarbonate (RAL 5013) Base: Nylon PA66 (RAL 5005) Terminals: HPb59-1 (CU 59%) Silver Plated
Voltage	250V – 50Hz
Load Rating	20A Max
Rated Impulse Voltage	4kV
Terminal Diameter	4mm
Terminal Conductor Sizes	2.5mm ² Max.
Cut-out Required	CT105M CT105F 40mm Diameter Aperture CT205M CT205F 50mm Diameter Aperture CT115F 55mm Diameter Aperture CT215F 65mm Diameter Aperture CT215C 65mm Diameter Aperture
Warranty	10 Years
IP Rating	IP20
Operational Temperature	-5° to +40°C
Standards	EN 61535

Projects that have already utilised the Flow™ System:

Offices (large or small), sports halls, exhibitions, kitchens, display lighting, domestic installations (ideal for downlights), temporary installations, under floor wiring, inside lighting columns instead of a conventional junction box & many more...

Scolmore Group Showroom & Studio facility



The favourite for Racecourse Hotel

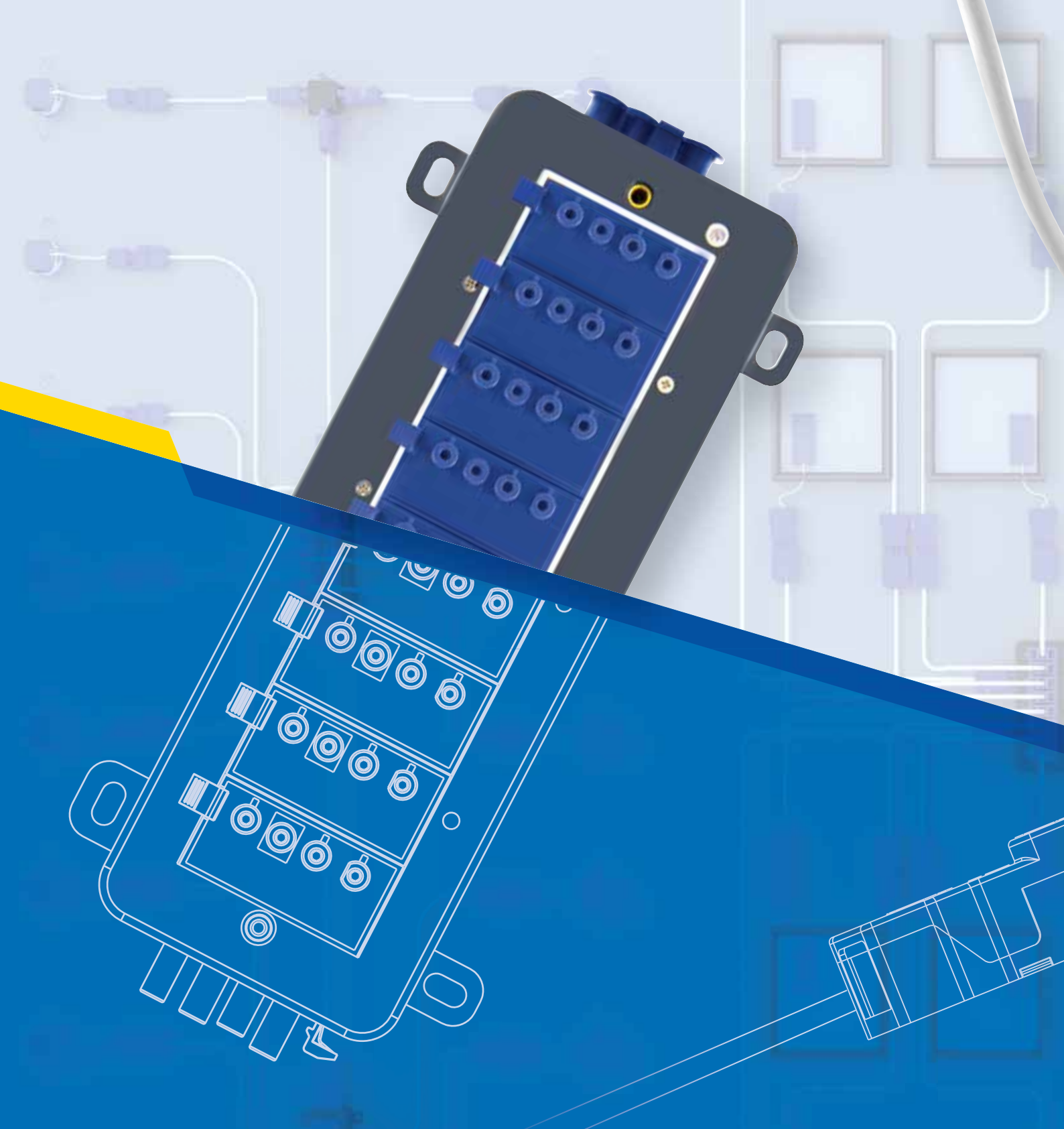


Bowled over by the light output at the Pavilion



Greater Manchester's Metrolink





United Kingdom

Scolmore
GROUP

Scolmore Park, Landsberg,
Lichfield Road Industrial Estate,
Tamworth, Staffordshire
B79 7XB United Kingdom

T: +44 (0)1827 63454
F: +44 (0)1827 63362
E: sales@scolmore.com

www.scolmore.com

Southern Ireland

CLick Litehouse

18 Corrig Road,
Sandyford Industrial Estate, Sandyford
Dublin, D18 WW79
Ireland

T: +353 (1) 2811 122
F: +353 (1) 2811 224
E: sales@clicklitehouse.ie

www.clicklitehouse.ie

Errors & Omissions excluded. Specification is subject to change without notice. Pre-Fabricated wiring systems manufactured to BS 8488 by other manufacturers may not be compatible or safely interconnectable with this system. Any dangerous compatibility between different manufacturers installation coupler systems is not automatically prevented by compliance with IEC 61535.

MAR2052/2