

# AYO Series



UL Recognized  
CSA Certified  
VDE Approved

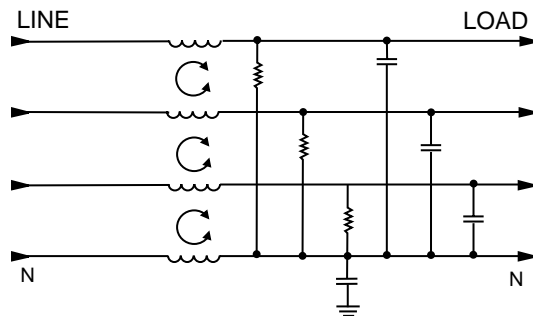


## AYO Series

The AYO series filters are designed for 3-phase, four wire, WYE applications providing filtering in each of the three lines plus neutral.

These lower current RFI filters provide filtering to industrial 3-phase applications.

## Electrical Schematic



## Specifications

Maximum leakage current, each line-to-ground:

	<u>3, 6, 10A</u>	<u>20A</u>
@ 120 VAC 60 Hz:	2.0 mA	3.5mA
@ 250 VAC 50 Hz:	3.0 mA	5.5mA

Hipot rating (one minute):

line-to-ground	1500 VAC
line-to-line	1450 VDC

Operating frequency:

50/60 Hz

Rated voltage (max.):

phase-to-phase	440 VAC
phase-to-neutral/ground	250 VAC

Rated current:

3AYO1	3A
6AYO1	6A
10AYO1	10A
20AYO1	20A

Minimum insertion loss in dB:

Line-to-ground in 50 ohm circuit

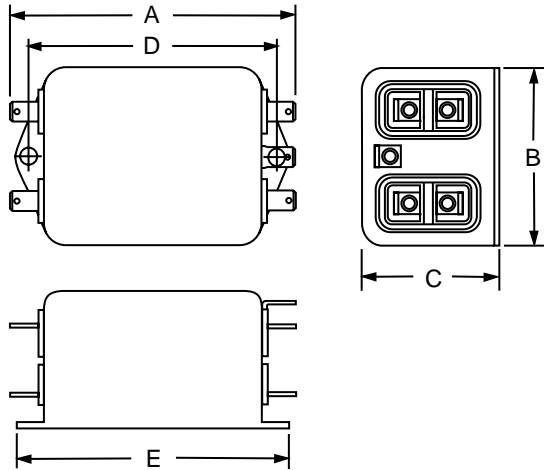
Current Rating	Frequency-MHz					
	.15	.5	1	5	10	30
3A	12	23	29	33	38	35
6A	7	23	30	40	50	30
10A	-	-	5	16	28	15
20A	-	7	11	32	23	12

Line-to-line in 50 ohm circuit

Current Rating	Frequency-MHz					
	.15	.5	1	5	10	30
3A	-	12	20	50	35	30
6A	10	18	24	31	28	28
10A	10	18	24	42	28	22
20A	10	18	24	42	38	23

# AYO Series

## Case Style



Typical dimensions:  
 Terminals: .250 [6.35] (9)  
 Holes: .07 [1.8] Dia.(8)  
 Slot: .07 x .16 [1.8 x 4.1]  
 Mounting holes: .188 [4.78] Dia.(2)

## Case Dimensions

Part No.	A (max)	B (max)	C (max)	D $\pm .015$ $\pm .38$	E (max)
AYO	<b>3.37</b> 85.6	<b>2.07</b> 52.5	<b>1.53</b> 38.7	<b>2.938</b> 74.63	<b>3.35</b> 85.1

## Part Numbers

3AYO1  
 6AYO1  
 10AYO1  
 20AYO1