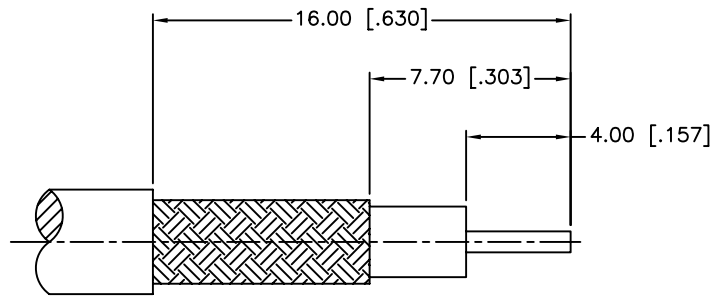
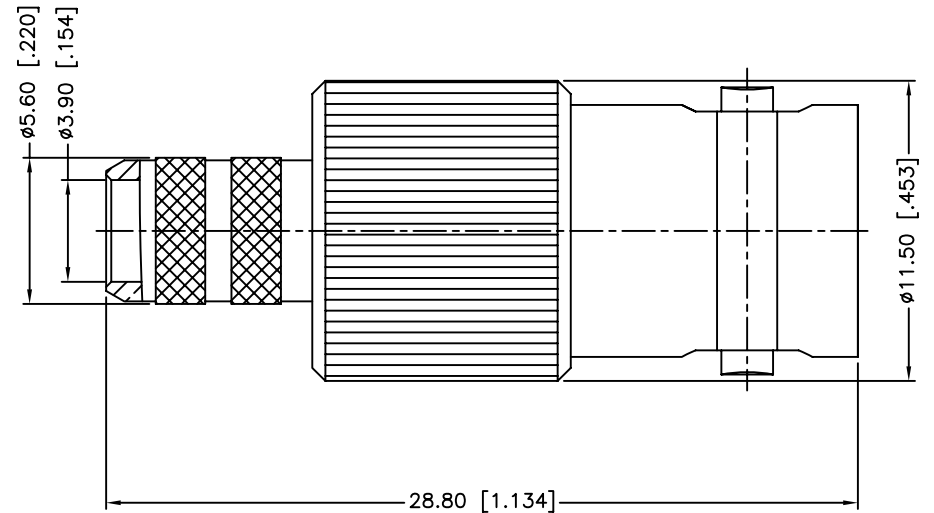
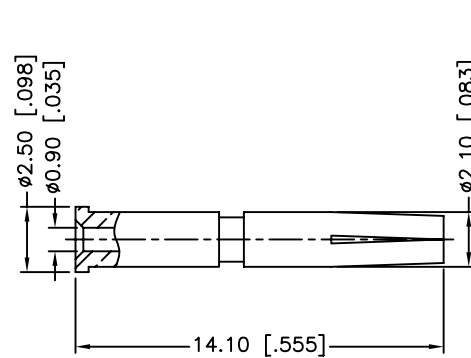
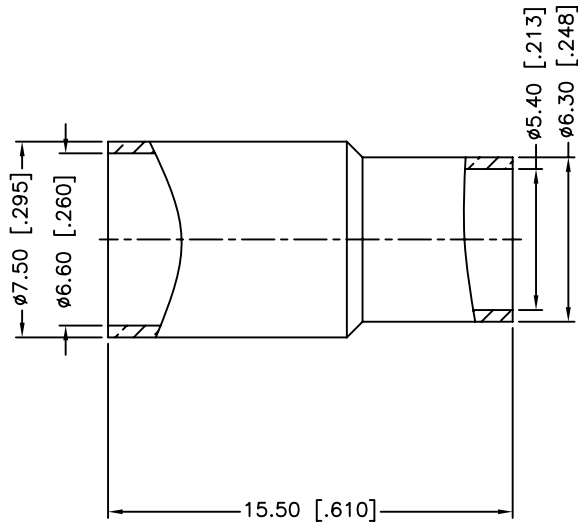


REV.	DATE	ECR NO.	DESCRIPTION
NC	05/30/00	XXXXXX	INITIAL RELEASE
A	03/18/05	XXXXXX	UPDATE DRAWING FORMAT
B	05/16/13	2474	CORRECT FERRULE MATERIAL, UPDATE DRAWING FORMAT



RECOMMENDED  
CABLE STRIPPING DIM'S



1. IMPEDANCE: 75 OHM
2. FREQUENCY RANGE: DC-2 GHZ
3. VSWR: 1.22 MAX. @ 10-400 MHz
4. DIELECTRIC WITHSTANDING VOLTAGE: 300 VRMS, MIN.
5. DURABILITY: 500 CYCLES MIN.
6. TEMPERATURE RANGE: 0°C TO +70°C
7. CRIMPED FERRULE  
HEX. CRIMP SIZE .255"
8. CRIMPED CONTACT PIN  
HEX. CRIMP SIZE .068"

QTY	DESCRIPTION	MATERIAL	FINISH
1	FERRULE	BRASS	NICKEL
4	CONTACT PIN	PHOSPHOR BRONZE	GOLD
3	INSULATOR	PTFE	NATURAL
2	BODY	BRASS	NICKEL
1	HOUSING	BRASS	NICKEL

UNLESS OTHERWISE SPECIFIED DIMENSIONS ARE IN MILLIMETERS. DIMENSIONS IN [ ] ARE IN INCHES AND FOR CUSTOMER REFERENCE ONLY.  
UNLESS OTHERWISE SPECIFIED  
TOLERANCES FOR MILLIMETERS ARE:  
 <0.5 ± 0.05mm  
 0.5 - 6mm ± 0.10mm  
 6 - 30mm ± 0.20mm  
 30 - 120mm ± 0.30mm  
 ANGLES ± 1°  
 UNLESS OTHERWISE SPECIFIED  
 TOLERANCES FOR INCHES ARE:  
 <.020 ± 0.002"  
 .020 - .236 = ± 0.004"  
 .236 - 1.180 = ± 0.007"  
 1.180 - 4.724 = ± 0.012"  
 ANGLES ± 1°  
 DO NOT SCALE DRAWING

APPROVALS		DATE
DRAWN	M.ZHANG	05/16/13
CHECKED		
ISSUED		
SHEET	1 OF 1	
CAD FILE	C:/CONNEX/112645.DWG	

<h1>Amphenol Connex</h1>			
PART DESCRIPTION <b>BNC CRIMP JACK (FOR RG-59/U PLENUM ENTER CONTACT-20AWG CABLE)</b>			
PART NO. <b>112645</b>			
DWG. NO.	112645.DWG	REV.	B
SIZE	A	SCALE	NA