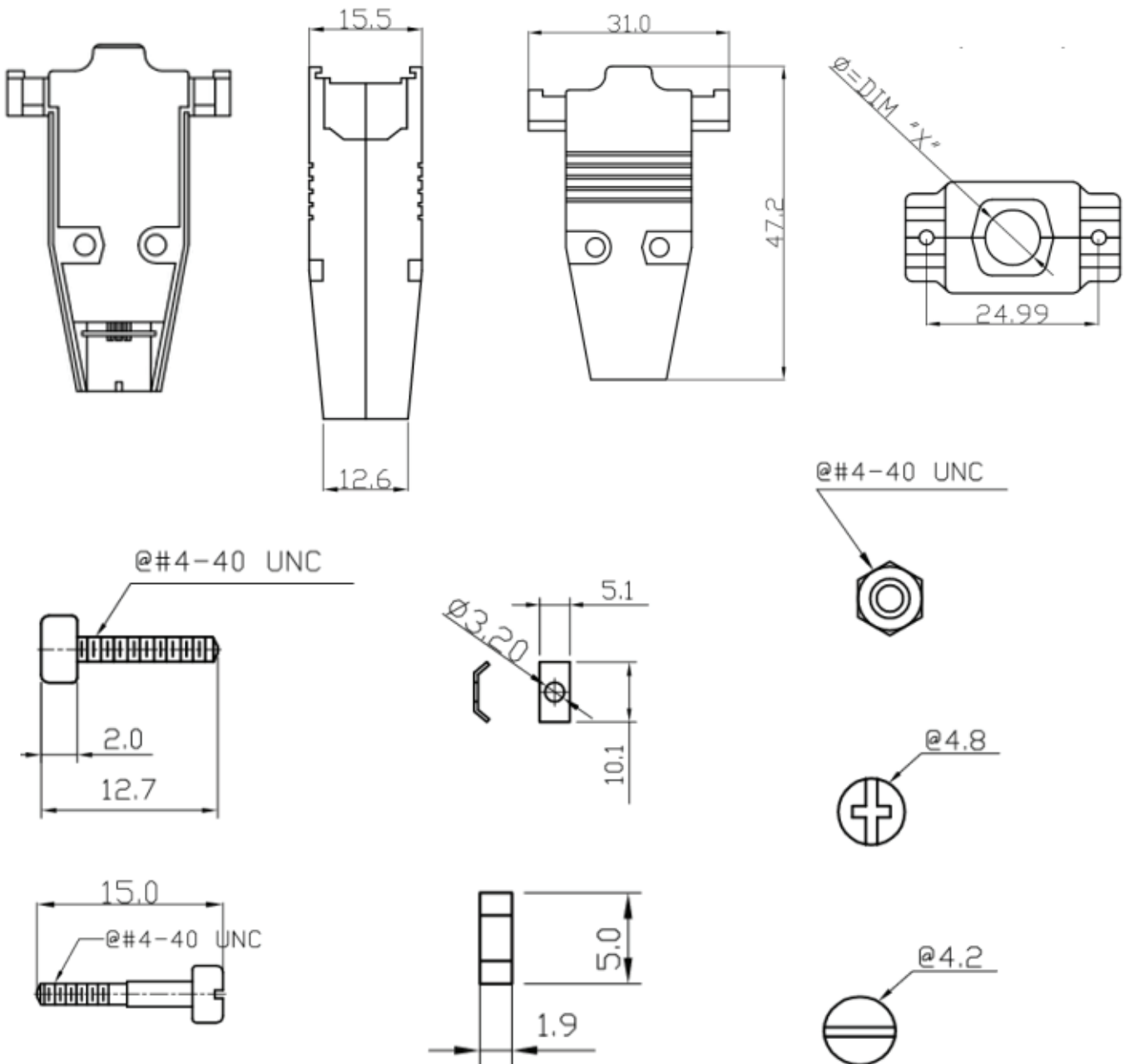


Datasheet

Item no. 1586435

V1_0617_02_EN



NOTE:

1. MATERIAL: zinc alloy
2. FINISHED: chromate plated
3. Contact No. : 09 Poles
4. CABLE ENTRY SIZE:
DIMENSION OF "X"=7.0mm
5. PARTS OPTION: SHORT SCREW

RoHS compliant