



Model Number

RJ15-14-N-5M

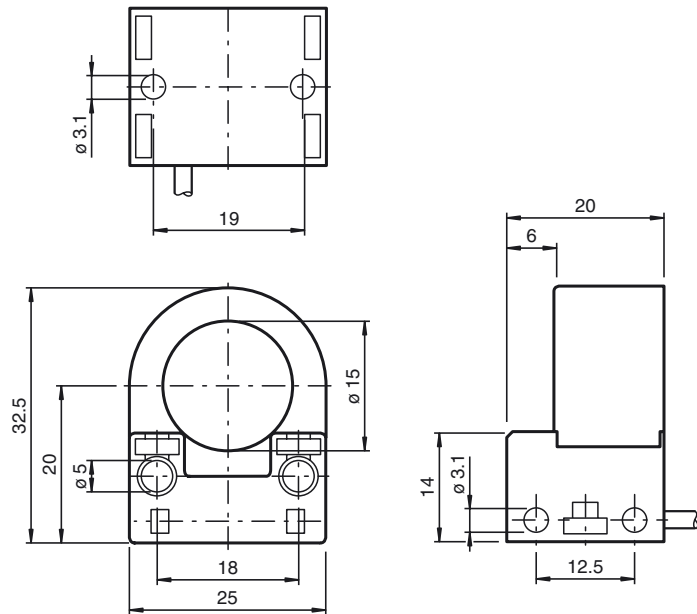
Features

- 15 mm inside diameter
- Comfort series

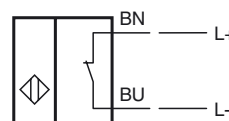
Technical Data

General specifications	
Switching function	Normally closed (NC)
Output type	NAMUR
Inside diameter	15 mm
Measuring cylinder	9S20K
Diameter	3 mm
Length	4 mm
Output type	2-wire
Nominal ratings	
Nominal voltage	U_o 8 V
Operating voltage	U_B 5 ... 25 V
Switching frequency	f 0 ... 1500 Hz
Current consumption	
Measuring plate not detected	≥ 3 mA at nominal voltage
Measuring plate detected	≤ 1 mA at nominal voltage
Ambient conditions	
Ambient temperature	-25 ... 70 °C (-13 ... 158 °F)
Mechanical specifications	
Connection type	cable PVC , 5 m
Core cross-section	0.14 mm ²
Housing material	PBT
Degree of protection	IP67
Cable	
Bending radius	> 10 x cable diameter
General information	
Use in the hazardous area	see instruction manuals
Category	2G
Compliance with standards and directives	
Standard conformity	
NAMUR	EN 60947-5-6:2000 IEC 60947-5-6:1999
Standards	EN 60947-5-2:2007 EN 60947-5-2/A1:2012 IEC 60947-5-2:2007 IEC 60947-5-2 AMD 1:2012
Approvals and certificates	
UL approval	cULus Listed, General Purpose
CSA approval	cCSAus Listed, General Purpose

Dimensions



Electrical Connection



Release date: 2019-05-15 16:52 Date of issue: 2019-05-15 120803_eng.xml



Equipment protection level Gb

CE marking		CE 0102
ATEX marking		II 2G Ex ia IIC T6...T1 Gb The Ex-related marking can also be printed on the enclosed label.
Standards		EN 60079-0:2012+A11:2013, EN 60079-11:2012 Ignition protection "Intrinsic safety" Use is restricted to the following stated conditions
Appropriate type		RJ15-...-N...
Effective internal capacitance	C_i	$\leq 130 \text{ nF}$; a cable length of 10 m is considered.
Effective internal inductance	L_i	$\leq 20 \text{ }\mu\text{H}$; a cable length of 10 m is considered.
Maximum permissible ambient temperature	T_{amb}	Details of the correlation between the type of circuit connected, the maximum permissible ambient temperature, the temperature class, and the effective internal reactance values can be found on the EU-type examination certificate.

Special conditions

Release date: 2019-05-15 16:52 Date of issue: 2019-05-15 120803_eng.xml