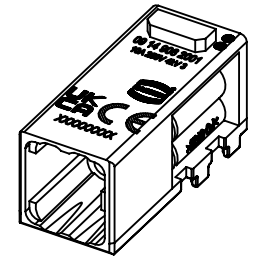
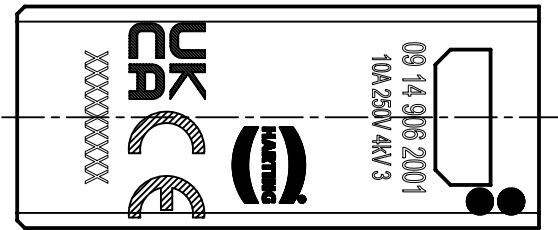
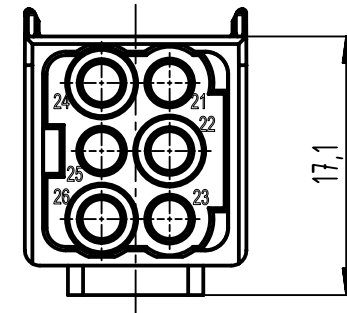
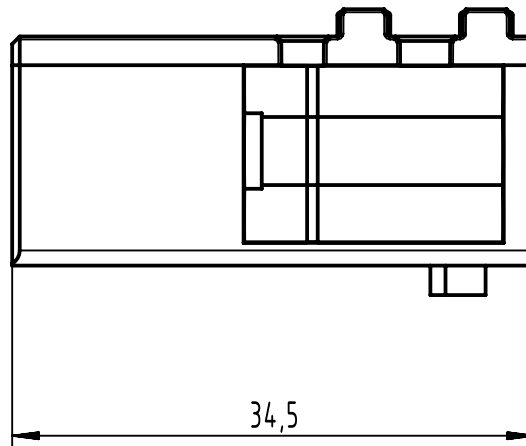
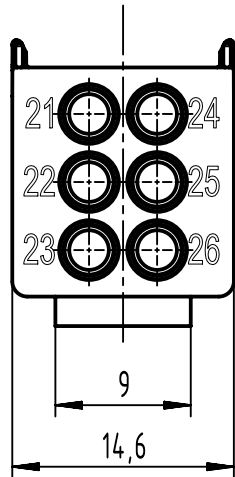


1 2 3 4 5 6

A




B



C

D

	All rights reserved Department EL PD	All Dimensions in mm Original Size DIN A4		Scale 2:1	Free size tol.		Ref. Sub.			
		Created by HOLLERT	Inspected by RUETERA	Standardisation SAP_WFRT	Date 2022-05-31	State Final Release		Doc-Key / ECM-Nr. 100952567/UGD/001/B 500000218497		
HARTING D-32339 Espelkamp		Title Han Domino DD cube, crimp (M.2)			Type TB		Number 09 14 906 2001		Rev. B	Page 1/1