

- 1
- 2
- 3
- 4
- 5
- 6
- 7
- 8
- 9
- 10
- 11
- 12
- 13
- 14
- 15
- 16
- 17
- 18

**BASE**

High-resilience polypropylene based (PP) technopolymer, black colour, matte finish.

**ARTICULATED STEM**

Threaded AISI 304 stainless steel with regulation hexagon.

**STANDARD EXECUTIONS**

- **LS.A-PP-SST**: without no-slip disk.
- **LS.A-PP-AS-SST**: with EPDM rubber no-slip disk, hardness 70 Shore A, supplied assembled to the base.

**FEATURES AND APPLICATIONS**

Polypropylene levelling elements are particularly suitable for those sectors where they can be in contact with chemical agents and/or for frequent washing with acidic or basic detergent solutions, such as in the chemical, process, pharmaceutical, food, textile and paper industry.

The particular assembling system of the no-slip disk to the base assures a perfect anchoring, preventing separation even in case of impact during transport or of adhesion (sticking) to the floor (see No-slip disks on page 835).

**ORDER INFORMATION**

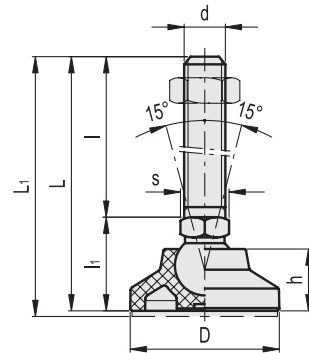
The levelling elements are supplied unassembled to make carriage and storage easier. The components (base and stem) are supplied in separate packing: less volume taken and better protection from scratches and dirt.

To order bases and stems separately, see:

- table of possible combinations Bases/Stems (see page 839)
- the codes of the Bases (see page 836)
- the codes of the Stems (see page 840).

**ACCESSORIES ON REQUEST**

AISI 304 stainless steel nut (see Nuts NT. on page 835).

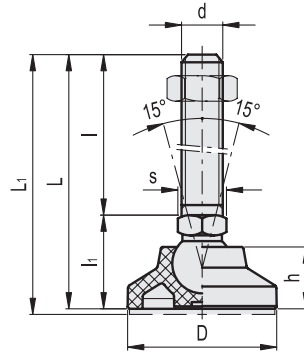


Code	Description	Code	Description	D	d	L	L1#	l	l1	h	s	Articulation Ø	[N]*	[N]**	#	
373121	LS.A-40-PP-14-SST-M8x43	378121	LS.A-40-PP-14-AS-SST-M8x43	40	M8	68	71	43	25	17	14	14	2000	10000	42	49
373125	LS.A-40-PP-14-SST-M8x68	378125	LS.A-40-PP-14-AS-SST-M8x68	40	M8	93	96	68	25	17	14	14	2000	10000	52	59
373221	LS.A-40-PP-14-SST-M10x43	378221	LS.A-40-PP-14-AS-SST-M10x43	40	M10	68	71	43	25	17	14	14	2000	10000	52	59
373225	LS.A-40-PP-14-SST-M10x68	378225	LS.A-40-PP-14-AS-SST-M10x68	40	M10	93	96	68	25	17	14	14	2000	10000	65	72
373231	LS.A-40-PP-14-SST-M10x98	378231	LS.A-40-PP-14-AS-SST-M10x98	40	M10	123	126	98	25	17	14	14	2000	10000	79	86
373321	LS.A-40-PP-14-SST-M12x43	378321	LS.A-40-PP-14-AS-SST-M12x43	40	M12	68	71	43	25	17	14	14	2000	10000	62	69
373325	LS.A-40-PP-14-SST-M12x68	378325	LS.A-40-PP-14-AS-SST-M12x68	40	M12	93	96	68	25	17	14	14	2000	10000	80	87
373331	LS.A-40-PP-14-SST-M12x98	378331	LS.A-40-PP-14-AS-SST-M12x98	40	M12	123	126	98	25	17	14	14	2000	10000	102	109
373421	LS.A-40-PP-14-SST-M14x68	378421	LS.A-40-PP-14-AS-SST-M14x68	40	M14	93	96	68	25	17	14	14	2000	10000	95	102
373431	LS.A-40-PP-14-SST-M14x98	378431	LS.A-40-PP-14-AS-SST-M14x98	40	M14	123	126	98	25	17	14	14	2000	10000	116	123
373441	LS.A-40-PP-14-SST-M14x148	378441	LS.A-40-PP-14-AS-SST-M14x148	40	M14	173	176	148	25	17	14	14	2000	10000	199	206
373521	LS.A-40-PP-14-SST-M16x68	378521	LS.A-40-PP-14-AS-SST-M16x68	40	M16	93	96	68	25	17	16	14	2000	10000	125	132
373525	LS.A-40-PP-14-SST-M16x108	378525	LS.A-40-PP-14-AS-SST-M16x108	40	M16	133	136	108	25	17	16	14	2000	10000	179	186
373541	LS.A-40-PP-14-SST-M16x148	378541	LS.A-40-PP-14-AS-SST-M16x148	40	M16	173	176	148	25	17	16	14	2000	10000	232	239
373561	LS.A-40-PP-14-SST-M16x168	378561	LS.A-40-PP-14-AS-SST-M16x168	40	M16	193	196	168	25	17	16	14	2000	10000	259	266

\* Max static load: is the value above which the load applied to the element may cause some plastic material breakage, in particular conditions of use. Obviously, a factor that takes into consideration the importance and the safety level of the specific application must be applied to this value.

\*\* Load at breakage: is the value above which the load applied to the element may quickly cause some plastic material breakage, in particular conditions of use.

# Data with no-slip disk mounted.



INOX STAINLESS STEEL

Code	Description	Code	Description	D	d	L	L1#	l	l1	h	s	Articulation	∅	[N]*	[N]**	△	⚖	#
374121	LS.A-50-PP-14-SST-M8x43	379121	LS.A-50-PP-14-AS-SST-M8x43	50	M8	70	73	43	27	19	14	14	14	2100	12000	49	61	
374125	LS.A-50-PP-14-SST-M8x68	379125	LS.A-50-PP-14-AS-SST-M8x68	50	M8	95	98	68	27	19	14	14	14	2100	12000	59	71	
374221	LS.A-50-PP-14-SST-M10x43	379221	LS.A-50-PP-14-AS-SST-M10x43	50	M10	70	73	43	27	19	14	14	14	2100	12000	59	71	
374225	LS.A-50-PP-14-SST-M10x68	379225	LS.A-50-PP-14-AS-SST-M10x68	50	M10	95	98	68	27	19	14	14	14	2100	12000	72	84	
374231	LS.A-50-PP-14-SST-M10x98	379231	LS.A-50-PP-14-AS-SST-M10x98	50	M10	125	128	98	27	19	14	14	14	2100	12000	86	98	
374321	LS.A-50-PP-14-SST-M12x43	379321	LS.A-50-PP-14-AS-SST-M12x43	50	M12	70	73	43	27	19	14	14	14	2100	12000	69	81	
374325	LS.A-50-PP-14-SST-M12x68	379325	LS.A-50-PP-14-AS-SST-M12x68	50	M12	95	98	68	27	19	14	14	14	2100	12000	87	99	
374331	LS.A-50-PP-14-SST-M12x98	379331	LS.A-50-PP-14-AS-SST-M12x98	50	M12	125	128	98	27	19	14	14	14	2100	12000	109	121	
374421	LS.A-50-PP-14-SST-M14x68	379421	LS.A-50-PP-14-AS-SST-M14x68	50	M14	95	98	68	27	19	14	14	14	2100	12000	102	114	
374431	LS.A-50-PP-14-SST-M14x98	379431	LS.A-50-PP-14-AS-SST-M14x98	50	M14	125	128	98	27	19	14	14	14	2100	12000	123	135	
374441	LS.A-50-PP-14-SST-M14x148	379441	LS.A-50-PP-14-AS-SST-M14x148	50	M14	175	178	148	27	19	14	14	14	2100	12000	206	218	
374521	LS.A-50-PP-14-SST-M16x68	379521	LS.A-50-PP-14-AS-SST-M16x68	50	M16	95	98	68	27	19	16	14	14	2100	12000	132	144	
374525	LS.A-50-PP-14-SST-M16x108	379525	LS.A-50-PP-14-AS-SST-M16x108	50	M16	135	138	108	27	19	16	14	14	2100	12000	185	197	
374541	LS.A-50-PP-14-SST-M16x148	379541	LS.A-50-PP-14-AS-SST-M16x148	50	M16	175	178	148	27	19	16	14	14	2100	12000	239	251	
374561	LS.A-50-PP-14-SST-M16x168	379561	LS.A-50-PP-14-AS-SST-M16x168	50	M16	195	198	168	27	19	16	14	14	2100	12000	266	278	
375121	LS.A-60-PP-14-SST-M8x43	380121	LS.A-60-PP-14-AS-SST-M8x43	60	M8	77	80	43	34	24	14	14	14	2300	13500	56	68	
375125	LS.A-60-PP-14-SST-M8x68	380125	LS.A-60-PP-14-AS-SST-M8x68	60	M8	102	105	68	34	24	14	14	14	2300	13500	66	78	
375221	LS.A-60-PP-14-SST-M10x43	380221	LS.A-60-PP-14-AS-SST-M10x43	60	M10	77	80	43	34	24	14	14	14	2300	13500	66	78	
375225	LS.A-60-PP-14-SST-M10x68	380225	LS.A-60-PP-14-AS-SST-M10x68	60	M10	102	105	68	34	24	14	14	14	2300	13500	79	91	
375231	LS.A-60-PP-14-SST-M10x98	380231	LS.A-60-PP-14-AS-SST-M10x98	60	M10	132	135	98	34	24	14	14	14	2300	13500	93	105	
375321	LS.A-60-PP-14-SST-M12x43	380321	LS.A-60-PP-14-AS-SST-M12x43	60	M12	77	80	43	34	24	14	14	14	2300	13500	76	88	
375325	LS.A-60-PP-14-SST-M12x68	380325	LS.A-60-PP-14-AS-SST-M12x68	60	M12	102	105	68	34	24	14	14	14	2300	13500	94	106	
375331	LS.A-60-PP-14-SST-M12x98	380331	LS.A-60-PP-14-AS-SST-M12x98	60	M12	132	135	98	34	24	14	14	14	2300	13500	116	128	
375421	LS.A-60-PP-14-SST-M14x68	380421	LS.A-60-PP-14-AS-SST-M14x68	60	M14	102	105	68	34	24	14	14	14	2300	13500	109	121	
375431	LS.A-60-PP-14-SST-M14x98	380431	LS.A-60-PP-14-AS-SST-M14x98	60	M14	132	135	98	34	24	14	14	14	2300	13500	130	142	
375441	LS.A-60-PP-14-SST-M14x148	380441	LS.A-60-PP-14-AS-SST-M14x148	60	M14	182	185	148	34	24	14	14	14	2300	13500	213	225	
375521	LS.A-60-PP-14-SST-M16x68	380521	LS.A-60-PP-14-AS-SST-M16x68	60	M16	102	105	68	34	24	16	14	14	2300	13500	139	151	
375525	LS.A-60-PP-14-SST-M16x108	380525	LS.A-60-PP-14-AS-SST-M16x108	60	M16	142	145	108	34	24	16	14	14	2300	13500	192	204	
375541	LS.A-60-PP-14-SST-M16x148	380541	LS.A-60-PP-14-AS-SST-M16x148	60	M16	182	185	148	34	24	16	14	14	2300	13500	246	258	
375561	LS.A-60-PP-14-SST-M16x168	380561	LS.A-60-PP-14-AS-SST-M16x168	60	M16	202	205	168	34	24	16	14	14	2300	13500	273	285	

\* Max static load: is the value above which the load applied to the element may cause some plastic material breakage, in particular conditions of use. Obviously, a factor that takes into consideration the importance and the safety level of the specific application must be applied to this value.

\*\* Load at breakage: is the value above which the load applied to the element may quickly cause some plastic material breakage, in particular conditions of use.

# Data with no-slip disk mounted.



Levelling feet and supports