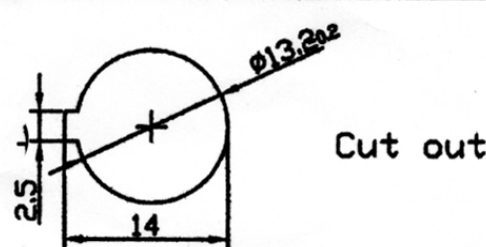
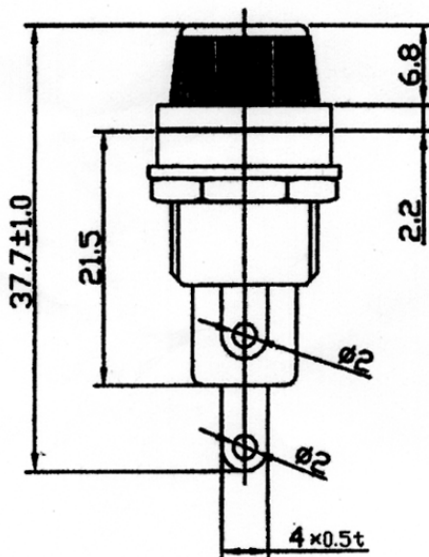


Order code	Manufacturer code	Description
26-1577	R3-12E BLACK	20MM FINGER RELEASE FUSEHOLDER 10A 250V

	Page 1 of 2
The enclosed information is believed to be correct, Information may change 'without notice' due to product improvement. Users should ensure that the product is suitable for their use. E. & O. E.	Revision A 04/07/2003

規格 Rating	10A 250V AC	裝孔 Mount Hole
絕緣電阻 Insulation R	DC 500V 100M ohm Min.	
耐電壓 Dielectric Strength	AC 1000V 1 minute	
保險絲規格 Fuse Rating	ø5*20	
Material	Cap and frame: Phenolic Terminal: Nickel plated brass	



(原稿)

Customer No.	No.	Date	Name	Descriptions
SCI No. 1310245				
Model No. R3-12E				
Drawing	Check	Approval		
<i>7/15/04</i>	<i>李作山</i>			
<i>6/15/04</i>	<i>6/16/04</i>			