

## Panel Mount Fuseholders



### DESCRIPTION

An IP40 rated panel mount fuseholder with finger release for 5x20mm fuses.

### DISTINCTIVE FEATURES

- Threaded fuse carrier
- Quick connect or solder terminals
- IP40 (Front of panel)
- Finger release
- UL and VDE approved

### APPLICATIONS

These panel mounted R-TECH fuseholders are used to integrate a 5 x 20mm fuse safely within an electric circuit. They are ideal where fuse replacement must be made without tools and are suited to professional and hobbyist applications.

5 x  
20mm

Panel

IP40

10A

VDE

UL



## ELECTRICAL SPECIFICATION

Shocksafe Category	PC2 to IEC 60127-6
Rated Voltage	250VAC
Rated Current (UL)	10A
Rated Current (VDE)	10A
Rated Power	2.5W/10A @ Ta 23°C For admissible power at higher ambient temperature, see derating curves
IEC Acceptance (See derating curves)	See graph
Protection Class	Suitable for appliances with protection class 1 or 2 acc. to IEC 61140
Contact Resistance	< 5mΩ at 20 mV
Dielectric Strength (Between L-N)	> 3kV (50Hz; 1 min)
Dielectric Strength (Between L/N-PE)	> 4kV (50Hz; 1 min)
Insulation Resistance (Between L-N)	> 10MΩ (500VDC; 1 min)
Insulation Resistance (Between L/N-PE)	> 100MΩ (500VDC; 1 min)
Overtoltage Category	I - III acc. to IEC 60664-1
Impulse Withstand Voltage (Between L-N)	> 4kV
Impulse Withstand Voltage (Between L/N-PE)	> 6kV



## GENERAL SPECIFICATION

Series	Fuseholders
Type	Finger release, threaded
Fuse Cap Fitting Type	Finger release
Compatible Fuse Size (Diameter x Length)	5 x 20mm
Mounting Type	Panel mount
Mounting Method	Fixing nut
Product Marking	Type, voltage, current, approvals



## MATERIALS

Base/ Body	Thermosetting plastic UL94-V0
Terminals	Tin-plated copper alloy
Body (Socket)	Thermosetting plastic UL94-V0
Cap	Thermosetting plastic UL94-V0
Mounting Nut	Thermosetting plastic UL94-V0
Base Colour	Black
Cap Colour	Black



## ENVIRONMENTAL/OPERATING SPECIFICATION

Flame Retardancy	UL94-V0
IP Rating	IP40 (Front of Panel)
Operating Temperature	-40°C to 85°C
Storage Temperature	0°C to 60°C
Storage RH	Max. 70% r.h
Pollution Degree	1 - 3 acc. to IEC 60664-1
Climatic Category	40/085/21 acc. to IEC 60068-1
Soldering Methods	Soldering iron
Solderability	350°C/2sec acc. to IEC 60068-2-20, test ta, method 2
Resistance to Soldering Heat	350°C/10sec acc. to IEC 60068-2-20, test tb, method 2
Admissable Torque on Fixing Nut	Max 1.2Nm
RoHS	Yes



## CERTIFICATION AND STANDARDS

Approvals - VDE	Certificate Number 134125
Approvals - UL	Certificate Number E239034
Standards - IEC	IEC 60127-6
	IEC 61140
	IEC 60068-1
	IEC 60068-2-20
	IEC 60664-1
Standards - UL	UL4248-1/UL512
Standards - GB	GB9364.6



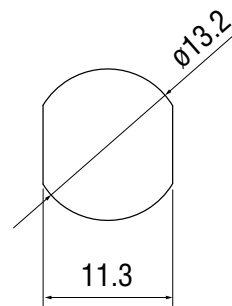
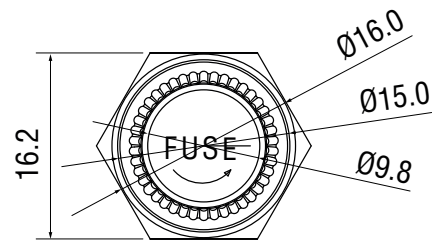
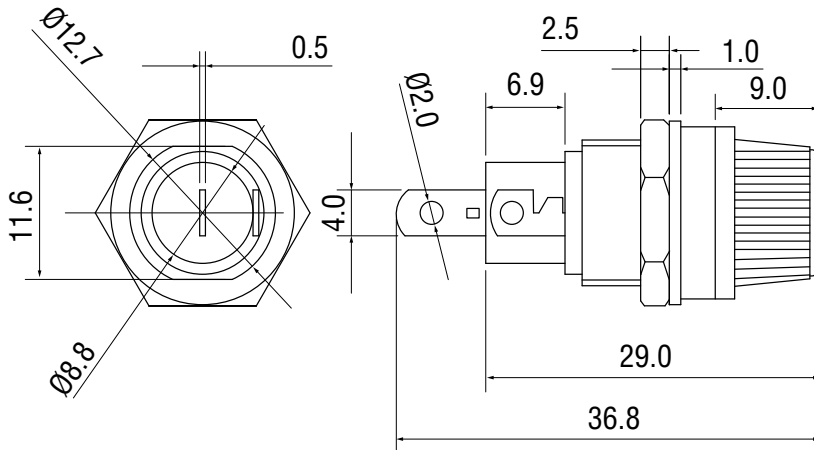
## TERMINALS

Terminal Type	Solder or quick connect
Terminal Dimension	6.9 x 4 x 0.5mm

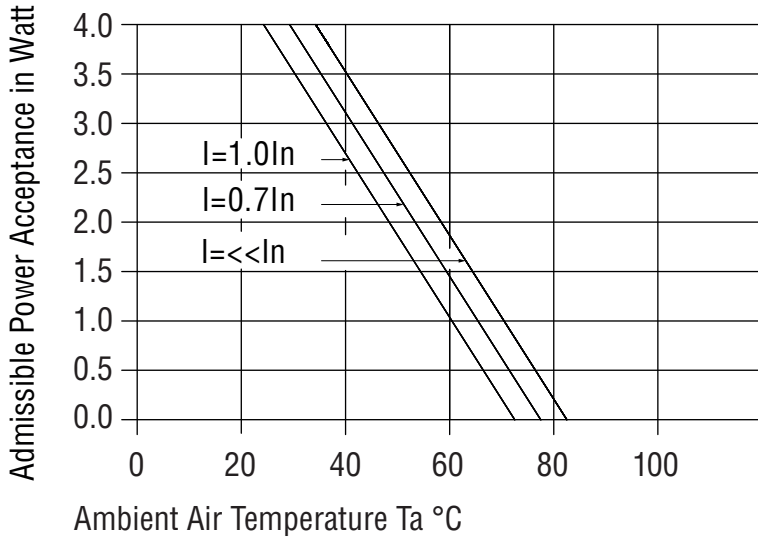


## DIMENSIONS/DRAWINGS

Units	mm - unless stated otherwise
Dimensions (Summary)	36.8 x ø16mm
Length	36.8mm
Width	16mm
Height	16mm
Diameter	ø16mm
Mounting Holes (See drawing)	ø13.2mm
Panel Thickness	Max 7mm
Unit Weight (Socket/Cap)	3.1g/3.4g



## Derating Curves



### OPTIONS (MOQ may apply)

Tapered finger release fuse cap	
Optional nut	
Seal with rear panel protection grade IP67	



### PART NUMBER TABLE

Part Number Table	UNSPSC	EAN	Country of Origin
52-2825	39121624	5053556006427	China

# R-TECH

Tried & trusted technology

**Important Notice:** This data sheet and its contents (the "Information") belong to Rapid Electronics Limited or are licensed to it. No licence is granted for the use of it other than for information purposes in connection with the products to which it relates. No licence of any intellectual property rights is granted. The Information is subject to change without notice and replaces all data sheets previously supplied. The Information supplied is believed to be accurate but Rapid Electronics Limited assumes no responsibility for its accuracy or completeness, any error in or omission from it or for any use made of it. Users of this data sheet should check for themselves the Information and the suitability of the products for their purpose and not make any assumptions based on information included or omitted. Liability for loss or damage resulting from any reliance on the Information or use of it (including liability resulting from negligence or where Rapid Electronics Limited were aware of the possibility of such loss or damage arising) is excluded. This will not operate to limit or restrict Rapid Electronics Limited's liability for death or personal injury resulting from its negligence.