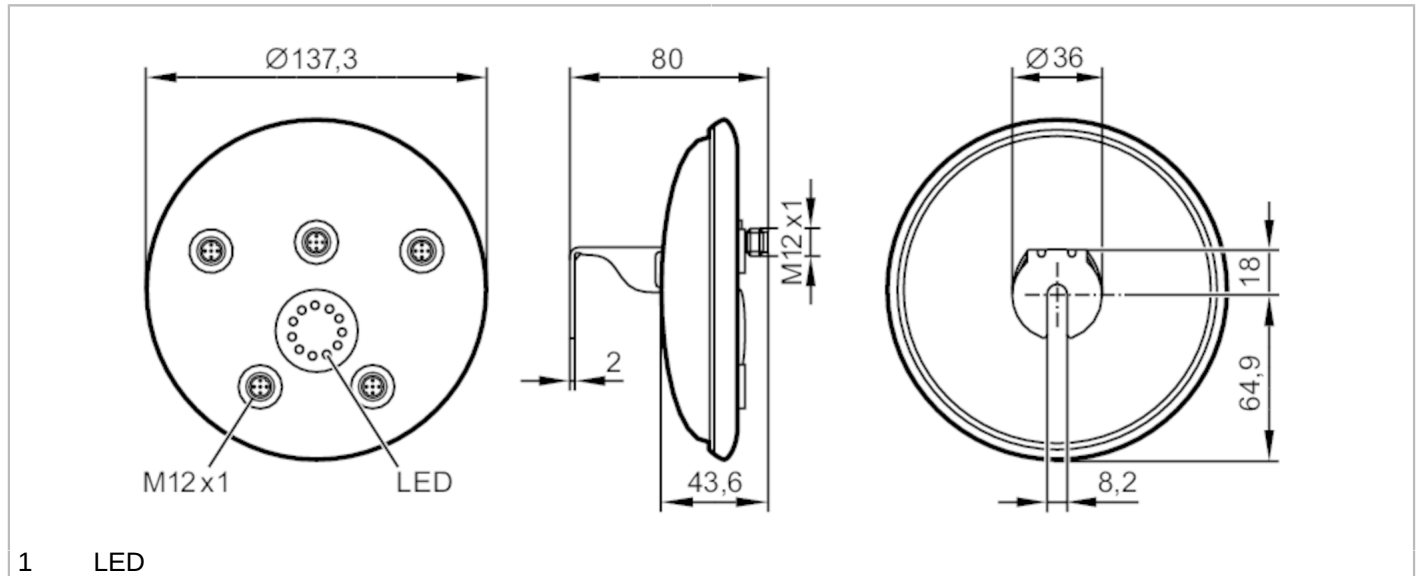




AS-Interface ProcessLine module

ProcessLine 4AI C IP69K



Electrical data

Operating voltage	[V]	26.5...31.6 DC
Max. current consumption from AS-i	[mA]	450
Reverse polarity protection		yes

Inputs / outputs

Number of inputs and outputs	Number of analogue inputs: 4
------------------------------	------------------------------

Inputs

Number of analogue inputs	4; (Anschluss von 2-, 3-, 4-Draht-Sensoren)
Sensor supply of the inputs	AS-i
Digital inputs protected against short circuits	yes
Analogue input (current)	[mA] 4...20
Max. voltage drop across load for nominal voltage	[V] 10
Resolution of analogue input	12 bit

Operating conditions

Ambient temperature	[°C] -5...70
Protection	IP 68; IP 69K

Tests / approvals

EMC	EN 50295
MTTF	[years] 98



AS-Interface ProcessLine module

ProcessLine 4AI C IP69K

AS-i classification	
AS-i version	2.11 + 3.0
Extended addressing mode possible	no
AS-i profile	S-7.3.E
AS-i I/O configuration [hex]	7
AS-i ID code [hex]	3.E
AS-i certificate	101108

Mechanical data	
Weight [g]	625
Dimensions [mm]	137.3 x 80 x 137.3
Materials	threaded bush: stainless steel (1.4404 / 316L); PC; O-ring: EPDM

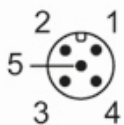
Displays / operating elements		
Display	operation	LED, green Voltage AS-i
	errors	LED, red
	function	LED, yellow channels AI1...AI4

Accessories	
Accessories (optional)	Protective cap: M12, E70297
	Flat cable insulation displacement connector, E70454
	Torque wrench, E70390

Remarks	
Remarks	When the sensors and actuators are supplied from AS-i the load must not exceed a maximum of 380 mA.
	The load for an individual sensor connection must not exceed 200 mA.
	When connecting a 2-wire or 3-wire sensor without own supply there has to be an external link between pin 3 and pin 4.
	The inputs (pins 2 and 4) are electrically separated and have no connection to AS-i.
Pack quantity	The sensor supply (pins 1 and 3) is electrically connected to AS-i. 1 pcs.

Electrical connection - AS-i	
1:	AS-i +
2:	n.c.
3:	AS-i -
4:	n.c.
5:	functional earth (FE)

Connector: 1 x M12





AS-Interface ProcessLine module

ProcessLine 4AI C IP69K

Electrical connection - Process connection

	Inputs
1	Sensor supply 24 V
2	analogue input AI +
3	Sensor supply 0 V
4	analogue input AI -
5	functional earth (FE)

Connector: 4 x M12

