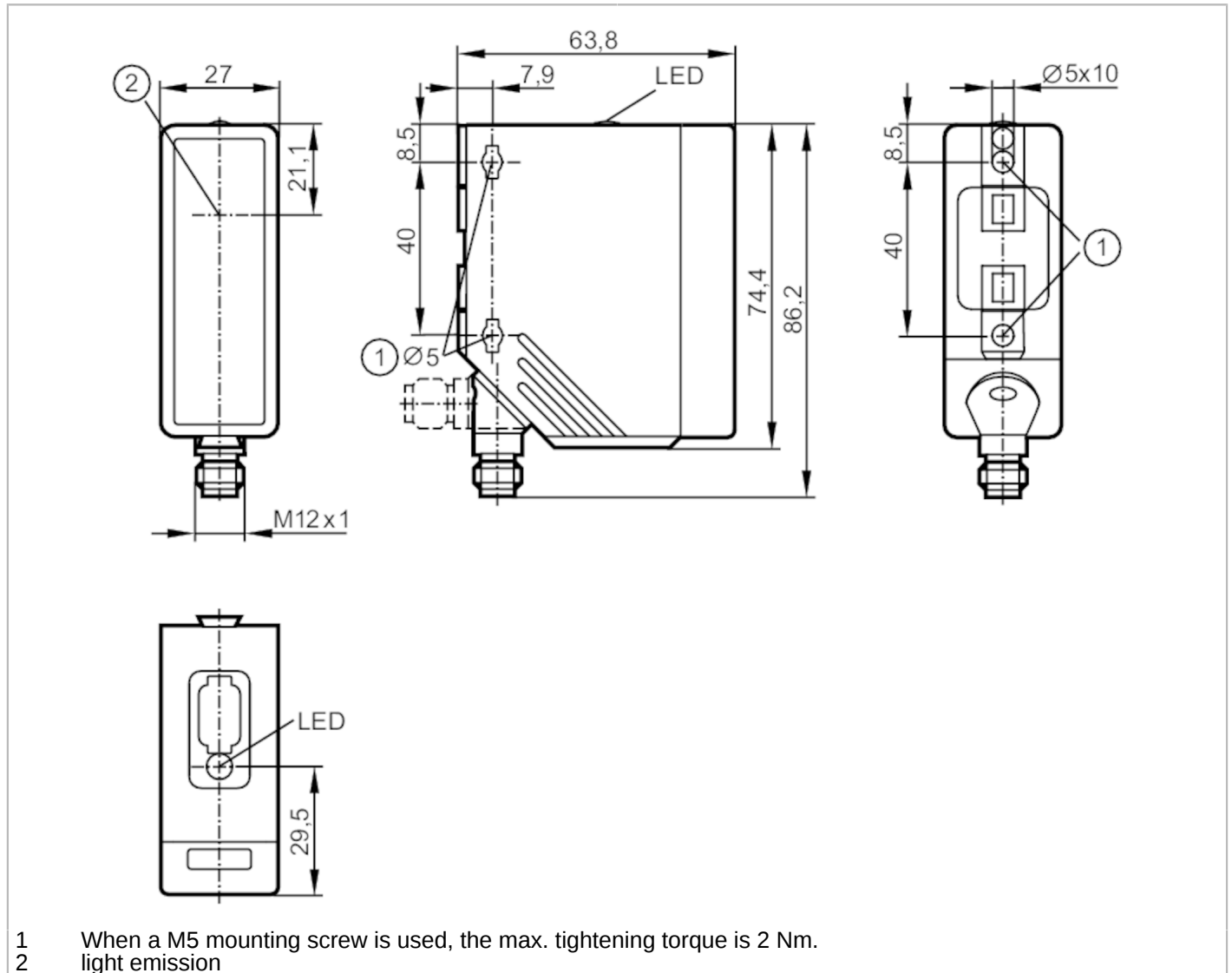


# O4S500



## Through-beam sensor transmitter

O4S-00KG/US100




Product characteristics	
Type of light	red light
Housing	rectangular
Dimensions [mm]	74.4 x 27 x 63.8
Application	
Function principle	Through-beam sensor
Electrical data	
Operating voltage [V]	10...36 DC; ("supply class 2" to cULus)
Current consumption [mA]	20
Protection class	II
Reverse polarity protection	yes
Type of light	red light
Wave length [nm]	624

# O4S500



## Through-beam sensor transmitter

O4S-OOKG/US100

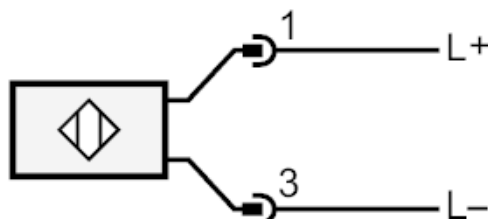
Outputs		
Overload protection		yes
Detection zone		
Transmitter / receiver		transmitter
Range [m]		0...80
Range adjustable		no
Max. light spot diameter [mm]		2400
Light spot dimensions refer to		at maximum range
Operating conditions		
Ambient temperature [°C]		-25...60
Protection		IP 67
Tests / approvals		
EMC	EN 60947-5-2	
MTTF [years]		616
Mechanical data		
Weight [g]		122
Housing		rectangular
Dimensions [mm]		74.4 x 27 x 63.8
Materials		housing: PA; bezel: stainless steel; operator interface: TPE
Lens material		PMMA
Lens alignment		side lens
Displays / operating elements		
Display	operation	1 x LED, green
Remarks		
Pack quantity		1 pcs.
Electrical connection		
Connector: 1 x M12		
		



## Through-beam sensor transmitter

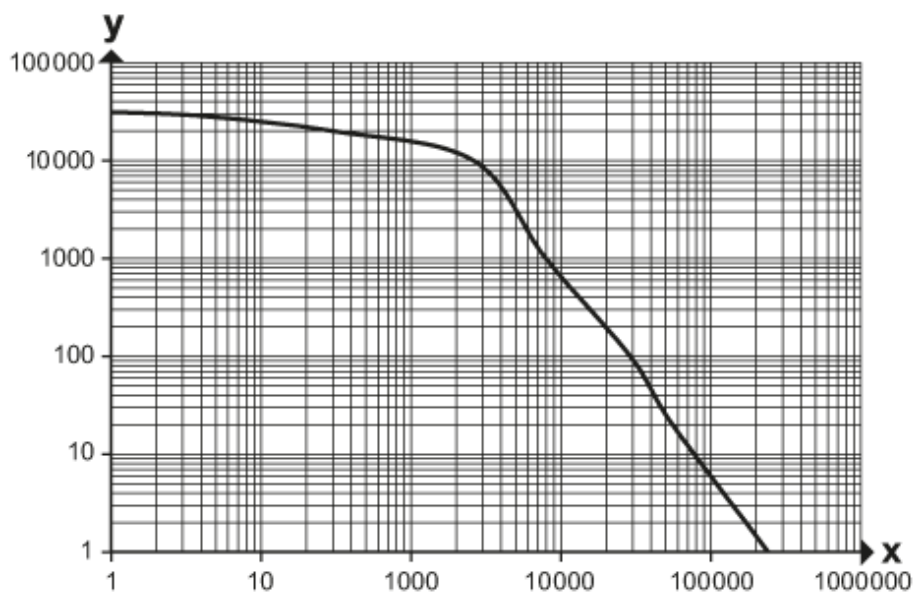
O4S-00KG/US100

### Connection



### Diagrams and graphs

excess gain graph



x: Abstand [mm]

y: Funktionsreservfaktor