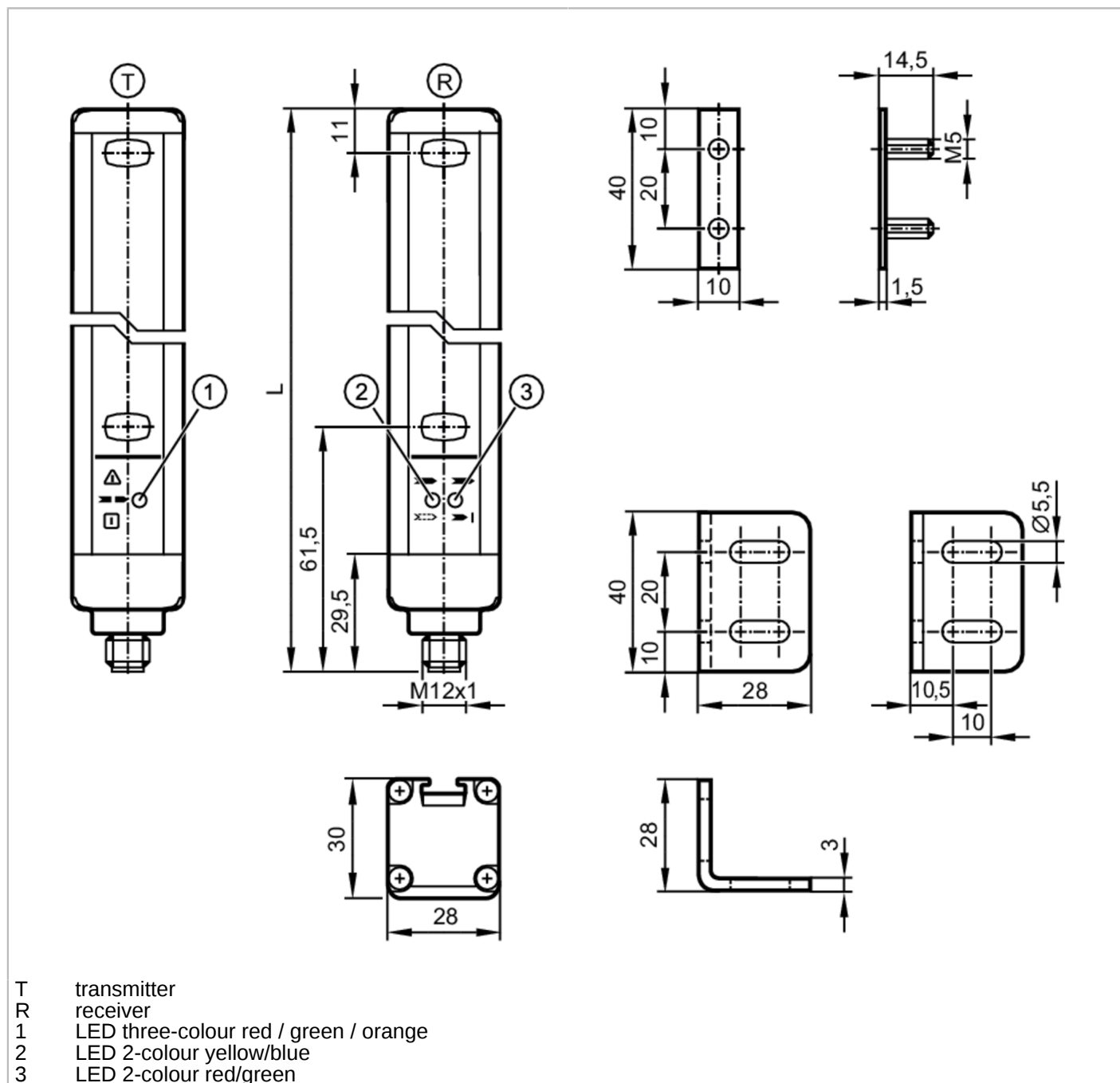


# OY230S



## Safety light curtain

OYA1510-20-4-20-P-1



### Product characteristics

Type of light	infrared light
Dimensions [mm]	1563 x 28 x 30

### Application

Protective function	access prevention hand protection
---------------------	-----------------------------------

# OY230S



## Safety light curtain

OYA1510-20-4-20-P-1

Electrical data		
Operating voltage tolerance [%]		20
Operating voltage [V]		24 DC
Protection class		III
Reverse polarity protection		yes
Power-on delay time [s]		< 2
Type of light		infrared light
Wave length [nm]		950
Receiver		
Current consumption [mA]		83
Transmitter		
Current consumption [mA]		42
Outputs		
Electrical design		PNP
Number of OSSD outputs		2
Max. current load per OSSD output [mA]		400; (24 V)
Short-circuit protection		yes
Detection zone		
Protected area height [mm]		1510
Resolution (detection capacity d) [mm]		20
Protection area width (low light intensity) [m]		0...10
Protection area width (high light intensity) [m]		3...20
Response times		
Response time [ms]		20
Operating conditions		
Applications		class C to EN 60654-1 weatherproof application
Ambient temperature [°C]		-10...55
Max. relative air humidity [%]		95
Protection		IP 65; IP 67
Tests / approvals		
EMC	IEC 61496-1	
Shock resistance	IEC 61496-1	
Vibration resistance	IEC 61496-1	
Safety classification		
ESPE type (IEC 61496-1)		4
ISO 13849-1		category 4, PL e
IEC 61508		SIL 3
IEC 62061		SIL cl 3
Mission time TM [h]		175200
Safety-related reliability PFHD [1/h]		3.2E-08

# OY230S

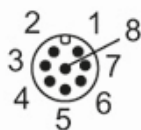


## Safety light curtain

OYA1510-20-4-20-P-1

Mechanical data	
Weight [g]	6165
Dimensions [mm]	1563 x 28 x 30
Materials	housing: aluminium; front lens: PC
Length L [mm]	1563
Displays / operating elements	
Display	LED, yellow
	LED, green
	LED, red
	LED, blue
	LED, orange
Accessories	
Accessories (supplied)	mounting bracket: 6
	slot nuts: 6
	Nuts
Remarks	
Notes	For 8-pole sockets the core colours are not standardised.; Please note the wiring of the sensor and the sockets (see data sheet).
Pack quantity	1 pcs.
Electrical connection - receiver	

Connector: 1 x M12; Maximum cable length: 100 m; for wire cross-section 0.34 mm<sup>2</sup>



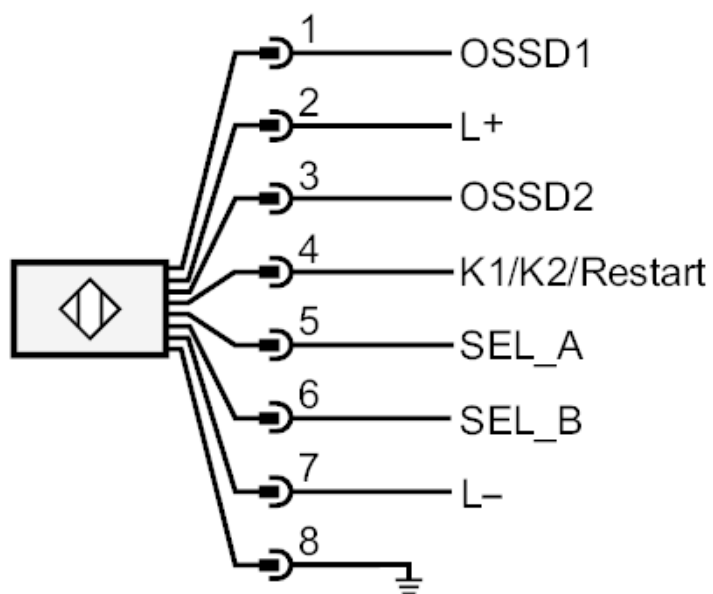
# OY230S



## Safety light curtain

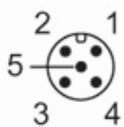
OYA1510-20-4-20-P-1

### Connection



### Electrical connection - transmitter

Connector: 1 x M12



# OY230S



## Safety light curtain

OYA1510-20-4-20-P-1

### Connection

