

MIRO SAFE+ E 24

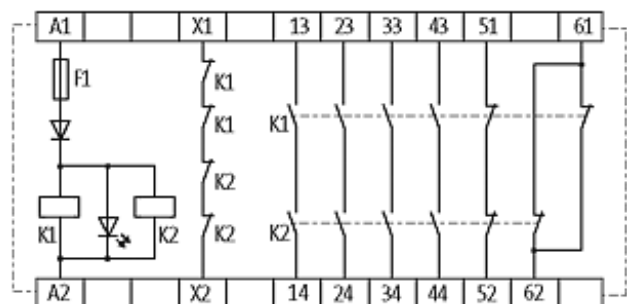
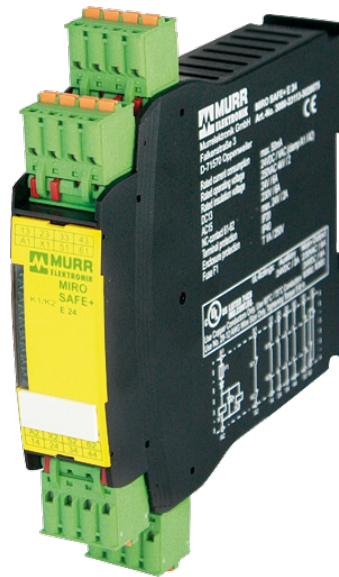
24 VAC/DC - 4 N/O contact / 2 N/C contact

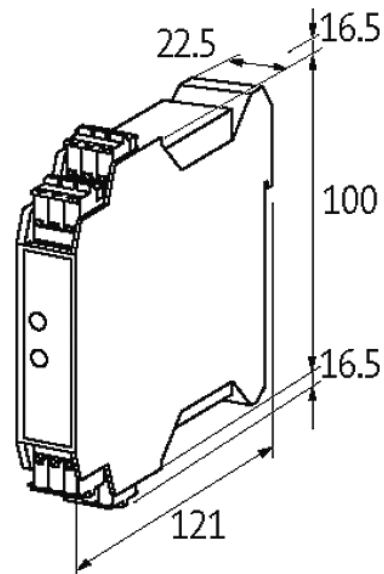
6 A

Expansion modules

[Link to Product](#)

Illustration





Product may differ from Image

Approvals



Utilization category

Safety contacts (STOP 0)	max. 250 V AC/6 A; min. 10 V AC/10 mA (ohm./ind.), at suitable suppression
AC-15	6 A (230 V AC)
DC-13	6 A (24 V DC)

Input

Input voltage	24 V DC (-15/+20 %), 24 V AC (-15/+10 %)
Input current	max. 1.0 VA

Safety Indicators

PL	up to e
Category	up to 4
DC	99 %
SIL	up to 3
Service life	20 years

General data

Mech./ elect. life	10.000.000 switching cycles/load dependent
Connection	Spring clamp plug-in terminals
Mounting method	DIN-rail mountable (EN 60715)
Dimensions H x W x D	100x22.5x121 mm
Temperature range	-25...+45 °C (storage temperature -40...+85 °C)

Output

The information in this brochure has been compiled with the utmost care.

Liability for the correctness completeness and topicality of the information is restricted to gross negligence. Version: 05/15

Switching voltage	max. 250 V AC/DC
Switching current per output	max. 6 A
Number of auxiliary contacts	2 - (51-52); (61-62)
Number of alarm outputs	0
Number of contacts	4 - (13-14); (23-24); (33-34); (43-44)
Contact material	AgSnO, self cleaning, positively driven

Commercial data

country of origin	DE
customs tariff number	85364900
minimum order quantity	1