

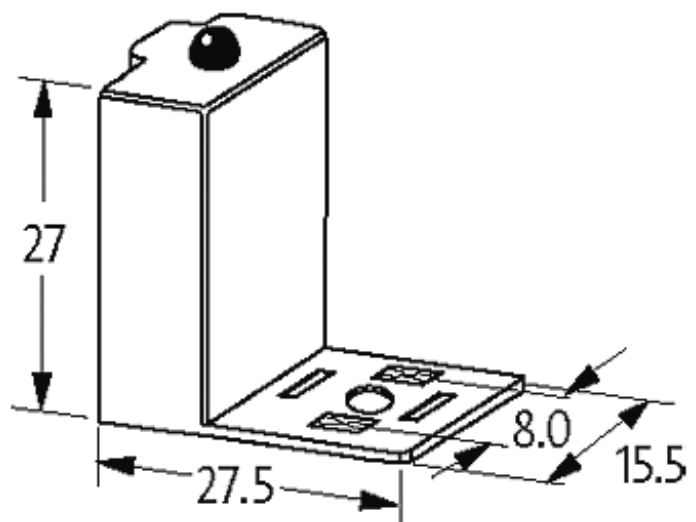
**VALVE PLUG SUPPRESSOR FORM C - 8MM**

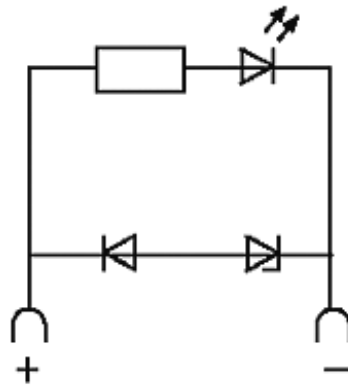
Zener diode and LED, 24VAC/DC/100VA/W

24 V AC/DC

Z-Diode + LED

Remove plug gasket when fitting adapter. Other LED colors on request.

[Link to Product](#)**Illustration**



Z-Diode + LED

Product may differ from Image

### Technical Data

|                       |   |
|-----------------------|---|
| LED display           | (yellow opac)   |
| Contact material      | Silvered bronze   |
| Material              | Polyamide black, flame retardant, temperature resistance up to 130 °C |
| Switch off delay time | max. 20 ms  |
| Switch off peak       | max. 55 V   |
| Max. power (W)        | max. 100 W(VA)  |

### General data

|                      |                 |
|----------------------|-----------------|
| Temperature range    | -20...+60 °C    |
| Dimensions H × W × D | 27×27.5×15.5 mm |

### Commercial data

|                        |          |
|------------------------|----------|
| country of origin      | CZ       |
| customs tariff number  | 85363010 |
| minimum order quantity | 1        |