

## MVP12, 6XM12, MOSA, CON. CAP

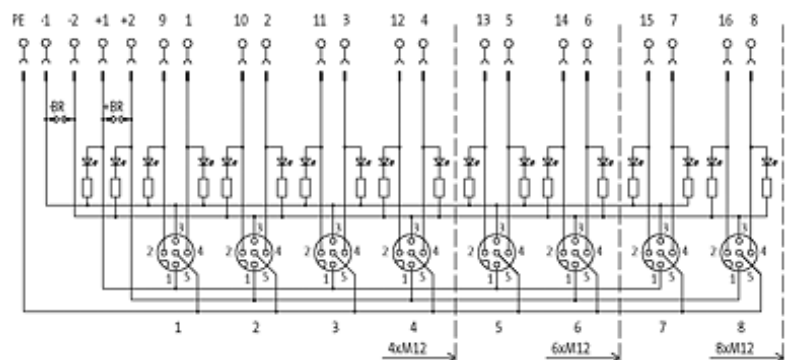
With potent. sep.

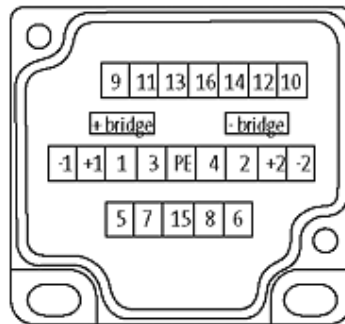
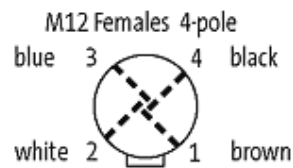
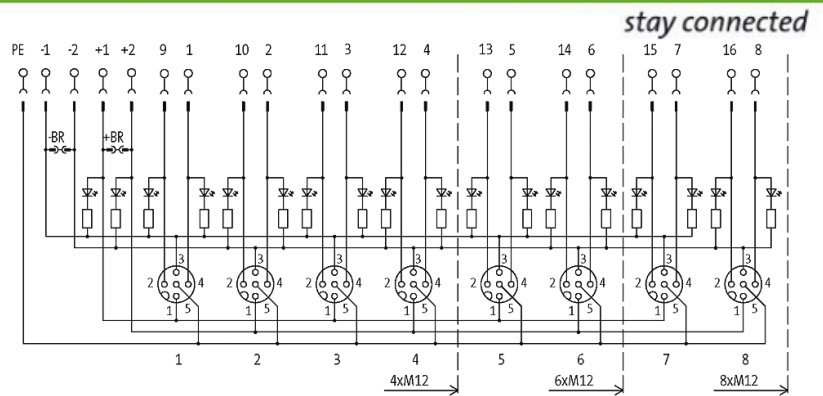
pluggable connection cap  
Potential separation as option  
with LED for digital PNP-signals 24 V DC

Further cable lengths on request. Plastic housings with good resistance against chemicals and oils. The resistance to aggressive media should be individually tested for your application. Further details on request.

### [Link to Product](#)

#### Illustration





for 2 signals per port

Product may differ from Image

### Technical Data

Operating voltage	24 V DC
Signal per port	2
Operating current per contact	max. 4 A
Total current	max. 2 × 8 A
Connection cross section	0.25...0.5 mm <sup>2</sup>
Housing	Plastic, flame retardant
Protection	IP67 inserted and tightened (EN 60529)
Locking of ports	Cap nut

### General data

Temperature range	-20...+80 °C
Dimensions H × W × D	43×50.2×145 mm

### Contact layout

Contact 1	(+)
Contact 2	(NC)/(S2)
Contact 3	(-)
Contact 4	(NO)/(S1)

Contact 5	(Earth)
-----------	---------

LED display	LED (green): Power / LED (yellow): (S1/S2)
-------------	--

**Commercial data**

country of origin	DE
-------------------	----

customs tariff number	85369010
-----------------------	----------

minimum order quantity	1
------------------------	---