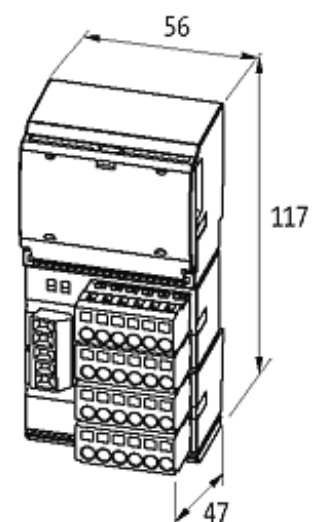


**IMPACT20 DEVCINET, DIGITAL IN-/OUTPUT MODULE**

8 digital inputs and 8 digital outputs

Digital inputs/outputs  
DI8/DO8 - 2 A

For connection cables please see chapter "Connection Technology" Housings potted on the back

[Link to Product](#)**Illustration**

Product may differ from Image

**Approvals**



### More Info



### Input

Sensor supply US	24 V DC (EN 61131-2), max. 700 mA per module, short-circuit and overload protected
Type	for 3-wire sensors or mechanical switches, PNP, (EN 61131-2)

### Connections

Fieldbus	5 × pluggable spring clamp terminals
Sensor-system/actuator supply	6 × spring clamp plug-in terminals, max. 2.5 mm <sup>2</sup> (max. 12 A)
I/O ports	18 × spring clamp plug-in terminals, max. 2.5 mm <sup>2</sup> (max. 12 A)

### Fieldbus

Operating voltage	24 V DC (EN 61131-2)
Operating modes	Polling; change of state; Cyclic
Transfer rate	125 kbit/s; 250 kbit/s; 500 kbit/s
Addressing	Rotary switch 0...63

### General data

Protection	IP20
Mounting method	DIN-rail mountable (EN 60715)
Temperature range	0...+55 °C (storage temperature -20...+70 °C)
Dimensions H × W × D	117×56×47 mm

### Output

Switching current per output	max. 2 A (short-circuit and overload protected)
Total current	max. 8 A

### Diagnostic

Communication status	via LED
Diagnostic via LED	per module and channel
Diagnostic via BUS	per module and channel
Monitoring - under voltage	yes
Monitoring - no voltage	yes
Short circuit and overload	yes

### Commercial data

country of origin	DE
-------------------	----

customs tariff number	85176200
minimum order quantity	1

---