

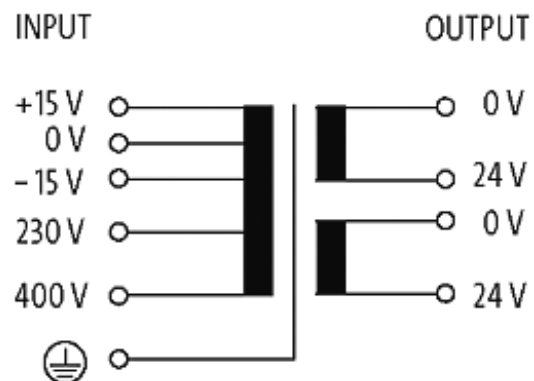
MST 1-PHASE SAFETY TRANSFORMER

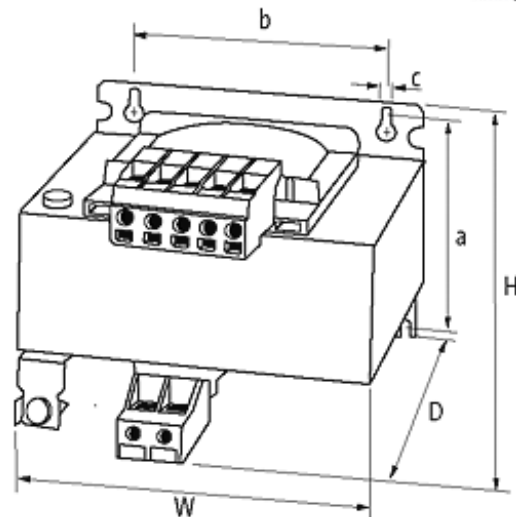
P: 630VA IN: 230/400VAC+/-15VAC OUT:2x24VAC

Single-phase safety transformer
630 VA
Isolation class T 40/B

[Link to Product](#)

Illustration





Product may differ from Image

Approvals



Input

Input voltage	230/400 ±15 V AC
Frequency	50...60 Hz
Input current	3 A (230 V AC); 1.7 A (400 V AC)
Inrush current	56 A (230 V AC); 26 A (400 V AC)
Short-circuit current	68 A (230 V AC); 39 A (400 V AC)

General data

Standards	(EN 61558-1), (EN 61558-2-4), (EN 62041 category 0)
Test isolation voltage	5.8 kV (prim./sec.)
Mounting method	Key-hole mounting
Fixing centers a × b × c	90.5×122×7 mm
Dimensions H × W × D	120.5×150×165 mm
Drill hole Ø	7×11 mm
Temperature range	-20...+40 °C, no condensation

Output

Output voltage	1 × 24, 1 × 48, 2 × 24 V AC
----------------	-----------------------------

Commercial data

country of origin	CZ
customs tariff number	85043180
minimum order quantity	1