

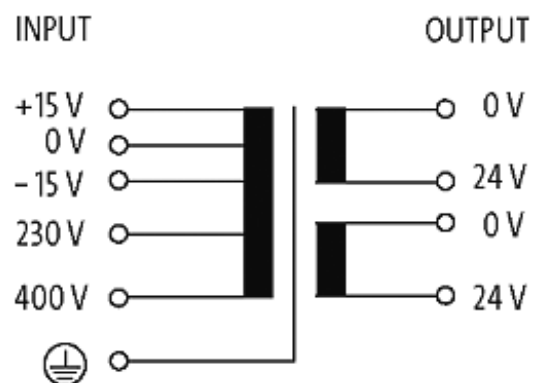
MST 1-PHASE SAFETY TRANSFORMER

P: 2500VA IN: 230/400VAC+/-15VAC OUT:2x24VAC

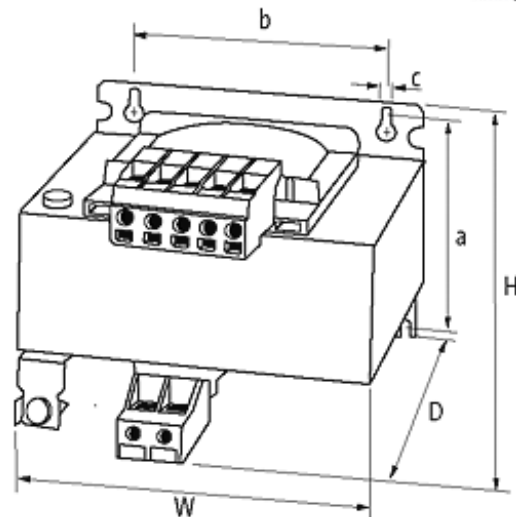
Single-phase safety transformer
2500 VA
Isolation class T 40/B

[Link to Product](#)

Illustration



stay connected



Product may differ from Image

Approvals



Input

Input voltage	230/400 ±15 V AC
Input current	11.1 A (230 V AC); 6.5 A (400 V AC)
Inrush current	205 A (230 V AC); 98 A (400 V AC)
Short-circuit current	504 A (230 V AC); 300 A (400 V AC)
Frequency	50...60 Hz

General data

Standards	(EN 61558-1), (EN 61558-2-4), (EN 62041 category 0)
Test isolation voltage	5.8 kV (prim./sec.)
Mounting method	Long-hole mounting
Dimensions H × W × D	182×192×242 mm
Fixing centers a × b × c	150×150×10 mm
Drill hole Ø	10×18 mm
Temperature range	-20...+40 °C, no condensation

Output

Output voltage	1 × 24, 1 × 48, 2 × 24 V AC
----------------	-----------------------------

Commercial data

country of origin	CZ
customs tariff number	85043200
minimum order quantity	1