



SIRIUS POSITION SWITCH METAL HOUSING 40MM, ACC. TO EN50041 DEVICE CONNECTOR 1X (M20X1.5) 1 NO/1 NC SNAP-ACTION CONTACTS ROLLER PLUNGER W. HIGH-GRADE STEEL ROLLER 13MM, ACTUATING/ RESETTING FORCE 30 N, CAN ONLY BE SUPPLIED AS COMPL. UNIT

Figure similar

Product designation		standard position switch
Manufacturer article number		
<ul style="list-style-type: none"> <li>of the supplied switching contacts</li> </ul>		<a href="#">3SE5000-0CA00</a>

General technical data:

Product function		
<ul style="list-style-type: none"> <li>positive opening</li> </ul>		Yes
Insulation voltage		
<ul style="list-style-type: none"> <li>Rated value</li> </ul>	V	400
Degree of pollution		class 3
Shock resistance		30g / 11 ms
Vibration resistance		0.35 mm / 5g
Surge voltage resistance Rated value	kV	6
Mechanical service life (switching cycles)		
<ul style="list-style-type: none"> <li>typical</li> </ul>		3 000 000
Electrical endurance (switching cycles)		
<ul style="list-style-type: none"> <li>at AC-15 at 230 V typical</li> </ul>		100 000
Electrical endurance (switching cycles) with contactor 3RH11, 3RT1016, 3RT1017, 3RT1024, 3RT1025, 3RT1026 typical		10 000 000
Electrical operating cycles in one hour with contactor 3RH11, 3RT1016, 3RT1017, 3RT1024, 3RT1025, 3RT1026		6 000
Thermal current	A	6
Material of the enclosure of the switch head		metal
Protection class IP		IP66/IP67
Equipment marking		

<ul style="list-style-type: none"> <li>• acc. to DIN EN 61346-2</li> <li>• acc. to DIN EN 81346-2</li> </ul>		B B
<b>Active principle</b>		mechanical
<b>Repeat accuracy</b>	mm	0.05
Explosion protection category for dust		none
Explosion protection category for gas		none
Minimum actuating force in activation direction	N	30
<b>Operating current at AC-15</b>		
<ul style="list-style-type: none"> <li>• at 230 V Rated value</li> <li>• at 400 V Rated value</li> </ul>	A A	6 4
<b>Operating current</b>		
<ul style="list-style-type: none"> <li>• at DC-13 at 125 V Rated value</li> <li>• at DC-13 at 400 V Rated value</li> </ul>	A A	0.55 0.1
<b>Operating current</b>		
<ul style="list-style-type: none"> <li>• at DC-13 <ul style="list-style-type: none"> <li>— at 24 V Rated value</li> </ul> </li> </ul>	A	3

#### Enclosure:

<b>Design of the housing</b>		block, narrow
<b>Material of the enclosure</b>		metal
<b>Coating of the enclosure</b>		cathodic immersion coating
<b>Design of the housing acc. to standard</b>		Yes

#### Drive Head:

<b>Design of the operating mechanism</b>		Stainless steel roller
<b>Standard-compliant actuator head</b>		EN 50041, design C
<b>Shape of the switch head</b>		roller
<b>Design of the switching function</b>		positive opening

#### Connections/ Terminals:

<b>Type of electrical connection</b>		screw-type terminals
<b>Type of connectable conductor cross-section</b>		
<ul style="list-style-type: none"> <li>• solid</li> <li>• finely stranded with core end processing</li> <li>• finely stranded without core end processing</li> <li>• for AWG conductors <ul style="list-style-type: none"> <li>— solid</li> <li>— stranded</li> </ul> </li> </ul>		1x (0.5 ... 1.5 mm <sup>2</sup> ), 2x (0.5 ... 0.75 mm <sup>2</sup> ) 1x (0.5 ... 1.5 mm <sup>2</sup> ), 2x (0.5 ... 0.75 mm <sup>2</sup> ) 1x (0.5 ... 1.5 mm <sup>2</sup> ), 2x (0.5 ... 0.75 mm <sup>2</sup> )  1x (20 ... 16), 2x (20 ... 18) 1x (20 ... 16), 2x (20 ... 18)

#### Mechanical data:

<b>Cable entry type</b>		1x (M20 x 1.5)
-------------------------	--	----------------

#### Communication/ Protocol:

<b>Design of the interface</b>		without
--------------------------------	--	---------

#### Ambient conditions:

<b>Ambient temperature</b>		
• during operation	°C	-25 ... +85
• during storage	°C	-40 ... +90

#### Installation/ mounting/ dimensions:

<b>mounting position</b>		any
<b>Mounting type</b>		screw fixing

#### Certificates/ approvals:

General Product Approval	Declaration of Conformity	Test Certificates
 CCC		 UL
 CSA	 EG-Konf.	<a href="#">Special Test Certificate</a>

#### other

[Confirmation](#)

#### Further information

##### Information- and Downloadcenter (Catalogs, Brochures,...)

<http://www.siemens.com/industrial-controls/catalogs>

##### Industry Mall (Online ordering system)

<http://www.siemens.com/industrymall>

##### Cax online generator

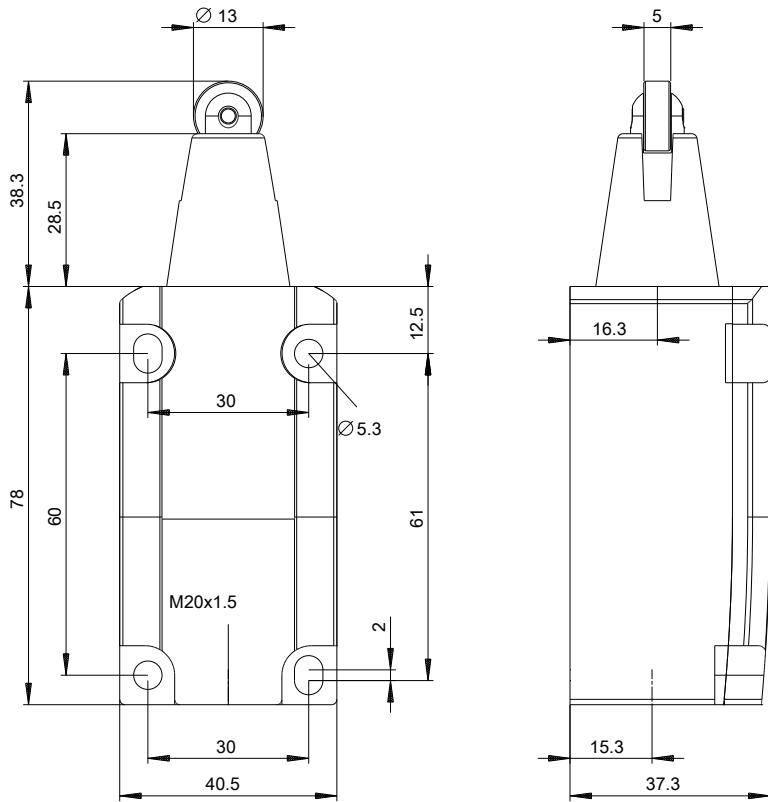
<http://support.automation.siemens.com/WW/CAXorder/default.aspx?lang=en&mlfb=3SE51120CD021AA7>

##### Service&Support (Manuals, Certificates, Characteristics, FAQs,...)

<http://support.automation.siemens.com/WW/view/en/3SE51120CD021AA7/all>

##### Image database (product images, 2D dimension drawings, 3D models, device circuit diagrams, EPLAN macros, ...)

[http://www.automation.siemens.com/bilddb/cax\\_de.aspx?mlfb=3SE51120CD021AA7&lang=en](http://www.automation.siemens.com/bilddb/cax_de.aspx?mlfb=3SE51120CD021AA7&lang=en)



last modified:

09.03.2015