



LED COVER YELLOW FOR POSITION SWITCH PLASTIC 3SE5132, HOUSING TO EN50041, 2 LEDS, YELLOW/GREEN, 230 V AC,

Product designation		Cover (plastic) for housing EN50041+LED 230 V AC, yellow
General technical data:		
Degree of pollution		class 3
Shock resistance		30g / 11 ms
Vibration resistance		0.35 mm / 5g
Protection class IP		IP66/IP67
Explosion protection category for dust		none
Explosion protection category for gas		none
Enclosure:		
Design of the housing		block, narrow
Coating of the enclosure		Other types
Drive Head:		
Design of the operating mechanism		without
Communication/ Protocol:		
Design of the interface		without
Ambient conditions:		
Ambient temperature		
• during operation	°C	-25 ... +60
• during storage	°C	-40 ... +90
Supply voltage:		
Type of voltage of the supply voltage		
• of the optional LED indicator		AC

Supply voltage	V	230
• of LED		

Installation/ mounting/ dimensions:

mounting position	any
Mounting type	screw fixing

Certificates/ approvals:

General Product Approval	Declaration of Conformity	other
--------------------------	---------------------------	-------



[Confirmation](#)

Further information

Information- and Downloadcenter (Catalogs, Brochures,...)

<http://www.siemens.com/industrial-controls/catalogs>

Industry Mall (Online ordering system)

<http://www.siemens.com/industrymall>

Cax online generator

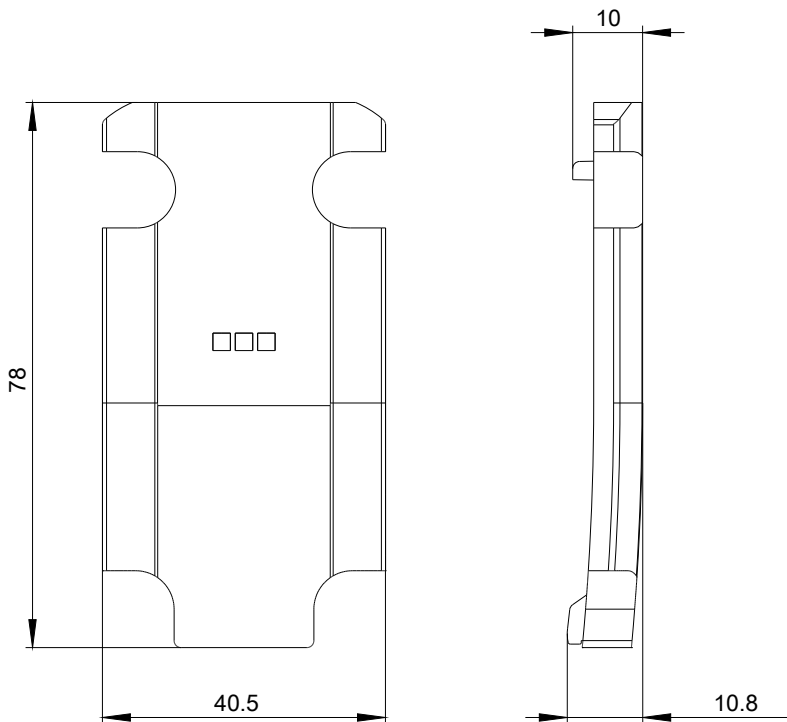
<http://support.automation.siemens.com/WW/CAXorder/default.aspx?lang=en&mlfb=3SE51303AA001AG0>

Service&Support (Manuals, Certificates, Characteristics, FAQs,...)

<http://support.automation.siemens.com/WW/view/en/3SE51303AA001AG0/all>

Image database (product images, 2D dimension drawings, 3D models, device circuit diagrams, EPLAN macros, ...)

http://www.automation.siemens.com/bilddb/cax_de.aspx?mlfb=3SE51303AA001AG0&lang=en



last modified:

16.03.2015