



NEOZED-FLUSH MOUNTING FUSE BASE MOLDED PLASTIC, D02 1-POLE TOUCH PROTECTION (BGV A2) ACCESS: ELEVATOR TERMINAL OUTGOING: ELEVATOR TERMINAL 63A, AC 400V/DC 250V

Model		
product brand name		SENTRON
Product designation		Fuse systems
<b>Design of the product</b>		NEOZED fuse bases
General technical data		
<b>Number of poles</b>		1
<b>Size of fuse system / acc. to DIN EN 60269-1</b>		D02
Main circuit		
Operating voltage / Rated value	V	400
Operating current / Rated value	A	63
Product details		
Product component / Cover		Yes
Mechanical Design		
<b>Height</b>	mm	83
<b>Depth</b>	mm	64
<b>Mounting type</b>		DIN rail
Material / of D fuse base		others

General Product Approval	Declaration of Conformity	Test Certificates
--------------------------	---------------------------	-------------------



[Type Test Certificates/Test Report](#)

### Further information

**Information- and Downloadcenter (Catalogs, Brochures,...)**

<http://www.siemens.com/lowvoltage/catalogs>

**Industry Mall (Online ordering system)**

<https://eb.automation.siemens.com/mall/en/WW/Catalog/Product/5SG1701>

**Service&Support (Manuals, Certificates, Characteristics, FAQs,...)**

<http://support.automation.siemens.com/WW/view/en/5SG1701/all>

**Image database (product images, 2D dimension drawings, 3D models, device circuit diagrams, ...)**

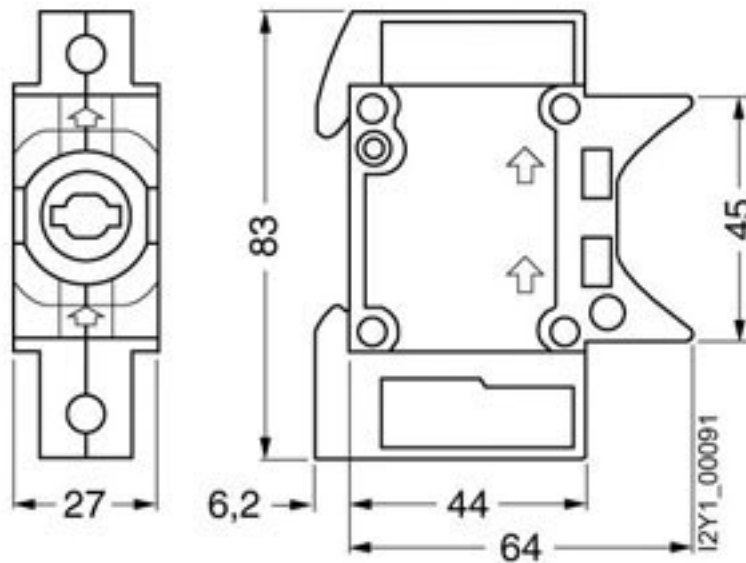
[http://www.automation.siemens.com/bilddb/cax\\_en.aspx?mlfb=5SG1701](http://www.automation.siemens.com/bilddb/cax_en.aspx?mlfb=5SG1701)

**CAX-Online-Generator**

<http://www.siemens.com/cax>

**Tender specifications**

<http://ausschreibungstexte.siemens.com/tiplv>





**last modified:**

11.03.2015