

RES.CUR.OP.CIRCUIT BREAKER TYPE A 25A 1+N-
POLE 300MA 230V 2MW



Figure similar

| Model | | |
|--|----|---|
| product brand name | | SENTRON |
| Product designation | | RCCB |
| Design of the product | | Instantaneous |
| General technical data | | |
| Number of poles | | 2 |
| Size of installation devices / acc. to DIN 43880 | | 1 |
| Protection against electrical shock | | Finger and back-of-hand safe |
| Short-circuit current rating | kA | 10 |
| circuit-breaker / Design | | 5SV3 |
| Mechanical service life (switching cycles) / typical | | 10 000 |
| Overvoltage category | | III |
| Protection class | | |
| Protection class IP | | IP20, if the distribution board is installed, with connected conductors |
| Switching capacity | | |
| Switching capacity current | | |
| • acc. to EN 60898 / Rated value | kA | 0.5 |
| Dissipation | | |
| Active power loss | | |
| • for rated value of the current / with AC / in hot operating state / per pole | W | 1.5 |
| Electricity | | |

| | | |
|---|----|-----|
| Tripping residual current / Rated value | mA | 300 |
| rated current I _n / IEC, DIN/VDE / at 40 Cel | A | 25 |
| Current / with AC / Rated value | A | 25 |
| Surge current resistance / Rated value | kA | 1 |

Product details

| | | |
|--|--|-----|
| Product property | | |
| <ul style="list-style-type: none"> • halogen-free | | Yes |
| <ul style="list-style-type: none"> • silicon-free | | Yes |
| Product expansion / can be installed / supplementary devices | | Yes |

Number

| | | |
|---|--|----|
| Number of test cycles / for environmental testing / acc. to IEC 60068-2-30 | | 28 |
|---|--|----|

Connections

| | | |
|---|-----------------|---------------|
| Connectable conductor cross-section / stranded | | |
| <ul style="list-style-type: none"> • minimum | mm ² | 0.75 |
| <ul style="list-style-type: none"> • maximum | mm ² | 35 |
| Connectable conductor cross-section / solid | | |
| <ul style="list-style-type: none"> • minimum | mm ² | 0.75 |
| <ul style="list-style-type: none"> • maximum | mm ² | 35 |
| Tightening torque / with screw-type terminals | | |
| <ul style="list-style-type: none"> • minimum | N·m | 2.5 |
| <ul style="list-style-type: none"> • maximum | N·m | 3 |
| Position / of power supply cord | | top or bottom |

Mechanical Design

| | | |
|------------------------------|----|----------------|
| Height | mm | 90 |
| Width | mm | 36 |
| Depth | mm | 70 |
| mounting position | | any |
| Installation depth | mm | 70 |
| Number of width units | | 2 |
| Mounting type | | DIN rail (REG) |

Environmental conditions

| | | |
|--|----|-----|
| Ambient temperature | | |
| <ul style="list-style-type: none"> • minimum | °C | -25 |
| <ul style="list-style-type: none"> • maximum | °C | 45 |
| <ul style="list-style-type: none"> • during storage / minimum permissible | °C | -40 |
| <ul style="list-style-type: none"> • during storage / maximum permissible | °C | 75 |

Certificates

| | | |
|--------------------------|--|--|
| Equipment marking | | |
|--------------------------|--|--|

- acc. to DIN EN 61346-2
- acc. to DIN EN 81346-2

F

F

General Product Approval



IMQ



ÖVE



GOST



VDE



[other](#)

Declaration of Conformity



EG-Konf.

Further information

Information- and Downloadcenter (Catalogs, Brochures,...)

<http://www.siemens.com/lowvoltage/catalogs>

Industry Mall (Online ordering system)

<https://eb.automation.siemens.com/mall/en/WW/Catalog/Product/5SV36126>

Service&Support (Manuals, Certificates, Characteristics, FAQs,...)

<http://support.automation.siemens.com/WW/view/en/5SV36126/all>

Image database (product images, 2D dimension drawings, 3D models, device circuit diagrams, ...)

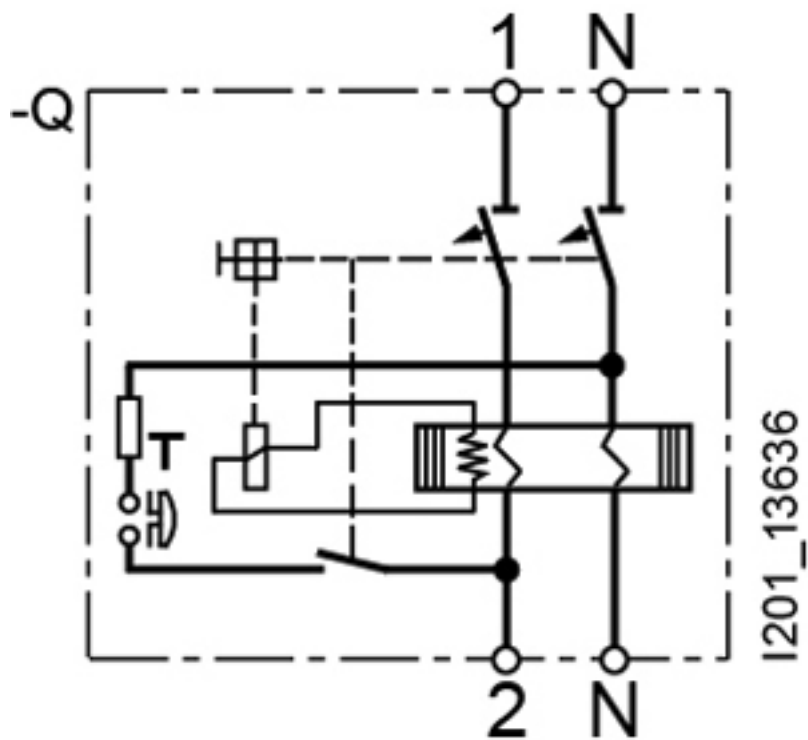
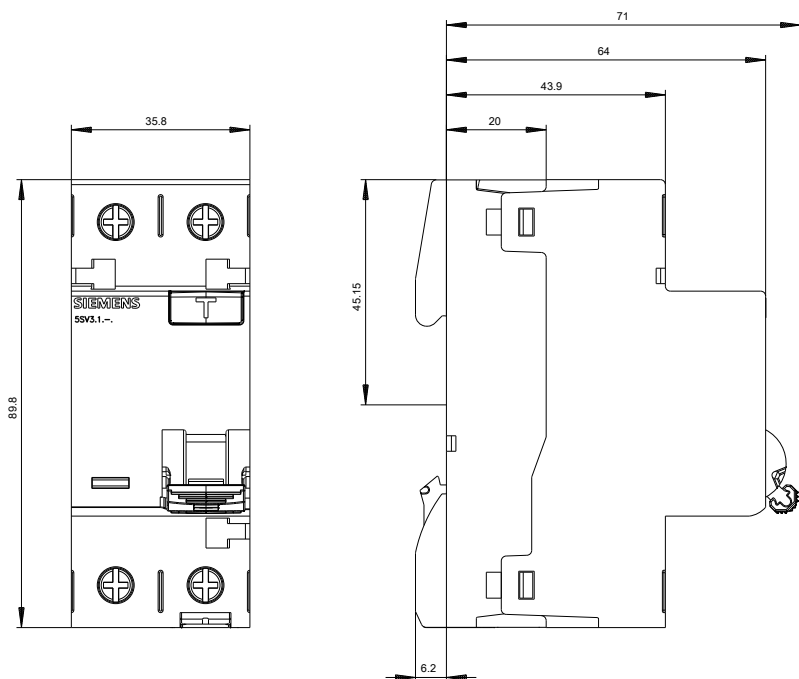
http://www.automation.siemens.com/bilddb/cax_en.aspx?mlfb=5SV36126

CAX-Online-Generator

<http://www.siemens.com/cax>

Tender specifications

<http://ausschreibungstexte.siemens.com/typv>



last modified:

11.03.2015