

# Product data sheet

## Characteristics

# 9001KS53B

30mm Push Button, Type K, selector switch, 3 position, C cam, spring return both sides to center, black knob



### Main

|                           |                     |
|---------------------------|---------------------|
| Range of product          | Harmony 9001K       |
| Product or component type | Selector switch     |
| Device short name         | K                   |
| Type of operator          | Spring return       |
| Operator profile          | Black standard knob |

### Complementary

|                               |                       |
|-------------------------------|-----------------------|
| Bezel material                | Chromium plated metal |
| Mounting diameter             | 1.18 in (30 mm)       |
| Operator position information | 3 positions           |
| Contacts type and composition | Without contact block |
| Device presentation           | Basic element         |

### Environment

|                           |   |
|---------------------------|---|
| NEMA degree of protection | NEMA 1/2/3/3R/4/6/12/13   |
| Product certifications    | UL listed file E42259 CCN NKCR<br>CE<br>CSA LR24590 class 3211 03 |

### Ordering and shipping details

|                     |                               |
|---------------------|-------------------------------|
| Category            | 21426 - 9001 K (NOT KA,KM,KX) |
| Discount Schedule   | CS1                           |
| GTIN                | 00785901322740                |
| Package weight(Lbs) | 0.27 lb(US) (0.12 kg)         |
| Returnability       | Yes                           |
| Country of origin   | MX                            |

### Offer Sustainability

|                            |  |
|----------------------------|--|
| Sustainable offer status   | Green Premium product  |
| California proposition 65  | WARNING: This product can expose you to chemicals including: Nickel compounds, which is known to the State of California to cause cancer, and Di-isodecyl phthalate (DIDP), which is known to the State of California to cause birth defects or other reproductive harm. For more information go to <a href="http://www.P65Warnings.ca.gov">www.P65Warnings.ca.gov</a> |
| REACH Regulation           | REACH Declaration  |
| EU RoHS Directive          | Pro-active compliance (Product out of EU RoHS legal scope)  EU RoHS Declaration  |
| Mercury free               | Yes  |
| RoHS exemption information | Yes  |

---

|                          |  |
|--------------------------|--|
| China RoHS Regulation    | <a href="#">China RoHS Declaration</a>   |
| Environmental Disclosure | <a href="#">Product Environmental Profile</a>  |
| WEEE                     | The product must be disposed on European Union markets following specific waste collection and never end up in rubbish bins. |

---

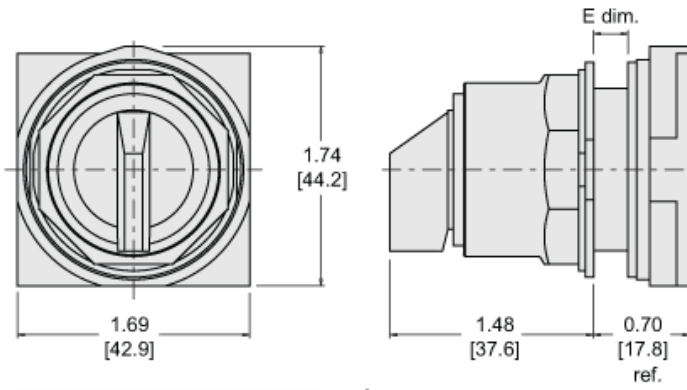
### Contractual warranty

---

|          |           |
|----------|-----------|
| Warranty | 18 months |
|----------|-----------|

---

Approximate Dimensions



| Panel Thickness<br>E dim.<br>in. [mm] | Number<br>of<br>Gasket |
|---------------------------------------|------------------------|
| 1/16 [1.6]                            | 4                      |
| 1/8 (3.2)                             | 3                      |
| 3/16 (4.8)                            | 2                      |
| 1/4 (6.4)                             | 1                      |

in.  
[mm]