

Cross laser, red, 635 nm, 60 °, 10 mW

CB635-10-3(16x45)60DEG
Order Number: 70146844

Main Parameters (*)	min	typ	max	Unit
Wavelength		635		nm
Optical Output Power	8	10	10	mW
Operating Voltage	2.7	3	3.3	V DC
Operating Current	15	29	50	mA
Operating Temperature	-20		50	°C
Storage Temperature	-40		80	°C

Main Data

Warranty 1 years

Technical Parameters

Lifetime > 5,000 h
RoHS yes

Optical Parameters

Beam Shape	Cross
Laser Class	2M
Divergence	B - 0.3 mrad
Fan Angle	60 °
Line Thickness	<1.5mm@1.5m
Operating Distance	1.5 m
Optics	glass lens AR coated
Laser technology	Single Mode Diode
Focus	collimated
Verticality	< ± 0.5 °

Electrical Parameters

Potential of Housing	isolated
Power Supply	LFNT-3

Mechanical Parameters

Size	Ø16x45 mm
Material	aluminium
Cable length	100 mm
Wire type	Belden, Typ 1007, 26AWG
Output Aperture	6.8 mm
Housing Color	black
Weight	23.5 g
Stripping of wire	5 mm

(*) Over the complete operating temperature range

Features

- Low power consumption
- Operating Voltage 3 V DC
- Compact size
- Laser Class 2M
- Protection lens

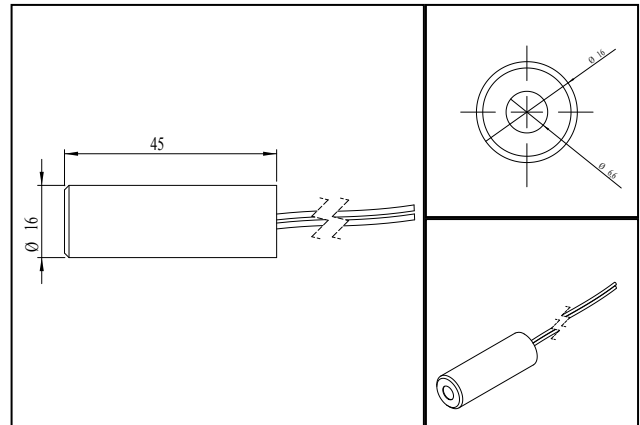
Picture



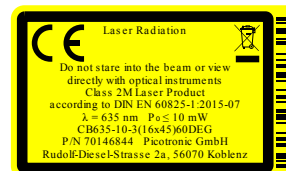
Cable color

Ground		black	GND
positive		red	2.7 - 3.3, typ 3 V DC

Drawing



Safety Label



Valid Revision

| 06-MAY-2020