

Nachfolgend / Following

**Bedienungsanleitung für
Digitalmanometer Typ CPG1500
Operating instructions for
digital pressure gauges CPG1500 type**

Digitalmanometer Typ CPG1500 / digital pressure gauges CPG1500 type

Artikel Nr. / Art. No.	Typen Nr. / Type No.
138547	CPG15.12.10.1
138551	CPG15.12.16.1
138565	CPG15.12.25.1
138710	CPG15.12.-140.1
138869	CPG15.12.60.1
138884	CPG15.12.100.1
138885	CPG15.12.250.1
138902	CPG15.12.400.1
138926	CPG15.12.600.1
138927	CPG15.12.1000.1
138928	CPG15.12.10.1.DL
138929	CPG15.12.16.1.DL
139041	CPG15.12.25.1.DL
139042	CPG15.12.-140.1.DL
139052	CPG15.12.60.1.DL
139066	CPG15.12.100.1.DL
139093	CPG15.12.250.1.DL
139119	CPG15.12.400.1.DL
139120	CPG15.12.600.1.DL
139121	CPG15.12.1000.1.DL

Operating instructions
Betriebsanleitung

Precision digital pressure gauge model CPG1500

EN

Präzisions-Digitalmanometer Typ CPG1500

DE



Precision digital pressure gauge with protective rubber cap, model CPG1500



Part of your business

EN	Operating instructions model CPG1500	Page	3 - 52
-----------	---	-------------	---------------

DE	Betriebsanleitung Typ CPG1500	Seite	53 - 102
-----------	--------------------------------------	--------------	-----------------

Further languages can be found at www.wika.com.

© 06/2016 WIKA Alexander Wiegand SE & Co. KG
All rights reserved. / Alle Rechte vorbehalten.
WIKA® is a registered trademark in various countries.
WIKA® ist eine geschützte Marke in verschiedenen Ländern.

Prior to starting any work, read the operating instructions!
Keep for later use!

Vor Beginn aller Arbeiten Betriebsanleitung lesen!
Zum späteren Gebrauch aufbewahren!

Contents

1. General information	5
2. Short overview	6
2.1 Overview	6
2.2 Description	6
2.3 Scope of delivery	6
2.4 Product pass	7
3. Safety	9
3.1 Explanation of symbols	9
3.2 Intended use	9
3.3 Improper use	10
3.4 Personnel qualification	10
3.5 Labelling, safety marks	11
3.6 Ex marking	12
3.6.1 Special conditions for use	13
3.6.2 Permitted batteries	13
3.6.3 Equipotential bonding	14
4. Design and function	14
4.1 Front foil	14
4.2 Integrated data logger	17
4.3 Voltage supply	17
4.4 WIKA-Wireless	17
4.5 Connections	18
4.6 Protective rubber cap for case	18
5. Transport, packaging and storage	19
5.1 Transport	19
5.2 Packaging and storage	19
6. Commissioning, operation	20
6.1 Mechanical mounting	20
6.2 Electrical mounting	21
6.3 Normal operation	21
6.4 Menu functions	22
6.4.1 Pressure units	26
6.4.2 Automatic power-off	26
6.4.3 Battery voltage display	26
6.4.4 Current temperature display	26
6.4.5 Setting the damping	26
6.4.6 Configuring the sampling rate	27
6.4.7 TARE (setting tare)	27

6.4.8	Function locking27
6.4.9	Adjustment28
6.5	Communication with WIKA-Cal calibration software28
6.5.1	Activating WIKA-Wireless in CPG1500.28
6.5.2	WIKA-Cal configuration (also possible with the demo version)29
6.5.3	WIKA-Cal Log-Template.31
6.5.4	App “myWIKa device”.32
7.	Faults	33
8.	Maintenance, cleaning and recalibration	34
8.1	Maintenance34
8.2	Battery replacement35
8.3	Cleaning36
8.4	Recalibration36
9.	Dismounting, return and disposal	37
9.1	Dismounting37
9.2	Return.38
9.3	Disposal38
10.	Specifications	39
10.1	Sensor technology39
10.2	Basic instrument41
10.3	WIKA-Wireless42
10.4	Ex approvals44
10.5	Certificates45
10.6	Dimensions in mm (in)46
10.6.1	CPG1500 without protective rubber cap46
10.6.2	CPG1500 with protective rubber cap.47
10.7	Threaded connections47
11.	Accessories	50
	Appendix: EU declaration of conformity	52

Declarations of conformity can be found online at www.wika.com.

1. General information

EN

1. General information

- The model CPG1500 precision digital pressure gauge described in the operating instructions has been manufactured using state-of-the-art technology. All components are subject to stringent quality and environmental criteria during production. Our management systems are certified to ISO 9001 and ISO 14001.
- These operating instructions contain important information on handling the instrument. Working safely requires that all safety instructions and work instructions are observed.
- Observe the relevant local accident prevention regulations and general safety regulations for the instrument's range of use.
- The operating instructions are part of the product and must be kept in the immediate vicinity of the instrument and readily accessible to skilled personnel at any time. Pass the operating instructions on to the next operator or owner of the instrument.
- Skilled personnel must have carefully read and understood the operating instructions prior to beginning any work.
- The general terms and conditions contained in the sales documentation shall apply.
- Subject to technical modifications.
- Factory calibrations / DKD/DAkkS calibrations are carried out in accordance with international standards.

■ Further information:

WIKA Alexander Wiegand SE & Co. KG

- Internet address: www.wika.de / www.wika.com
- Relevant data sheet: CT 10.51
- Application consultant: Tel.: +49 9372 132-0
Fax: +49 9372 132-406
info@wika.de

Mensor LP

- Internet address: www.mensor.com
- Relevant data sheet: CT 10.51
- Application consultant: Tel: +1-512-396-4200
Fax: +1-512-396-1820
sales@mensor.com

2. Short overview

2. Short overview

2.1 Overview

EN



- ① Display
- ② Process connection

2.2 Description

The model CPG1500 precision digital pressure gauge combines the high accuracy of digital technology with the convenience and easy handling of an analogue master gauge. Accurate to $\pm 0.1\%$ FS, the CPG1500 can be used as a calibration instrument or in any application requiring high-accuracy pressure measurement. Many user-configurable functions have been implemented in the CPG1500 (e.g. logging, sampling rate, tare, damping, automatic power-off and Min-Max measurement).

Once the precision digital pressure gauge is configured, the settings can be locked and password-protected to prevent unauthorized changes to configuration. The password protection is implemented via the WIKA-Cal calibration software.

2.3 Scope of delivery

- Precision digital pressure gauge model CPG1500
- Operating instructions
- 3.1 calibration certificate per DIN EN 10204
- 3 x 1.5 V AA alkaline batteries

Cross-check scope of delivery with delivery note.

14161966.05 07/2018 EN/DE

2. Short overview



Manufacturer-dependent colour shades of the metal case do not lead to any quality impairment.

EN

2.4 Product pass

The product pass can be retrieved from the product page or directly from the corresponding web application.



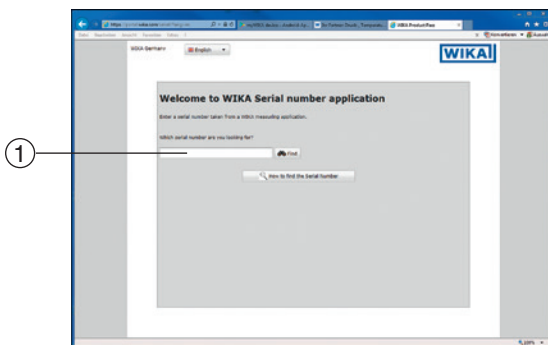
[Web application](#)



[Product page](#)

WIKA - Intelligent serial number

The WIKA intelligent serial number and the corresponding web application is the central tool in which all the required information on the specific instrument can be found.

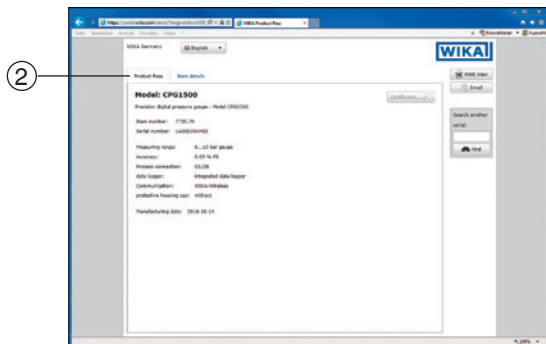


After entering ① the intelligent serial number into the web application, all instrument-specific details on the manufactured version are displayed.

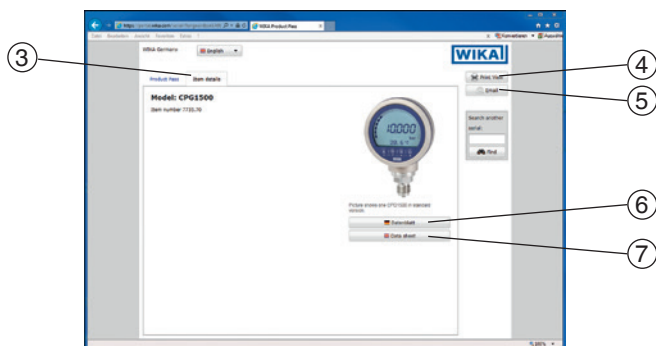
2. Short overview

Under ② “Product passport”, all the most-important additional information on the instrument, such as measuring range, accuracy, process connection, manufacturing date, etc., can be retrieved. You can also download (calibration) certificates directly from this location.

EN



Under ③ “Article details”, further article details are listed, as well as documentation such as the data sheet ⑥ and current operating instructions ⑦.



From this view, the required information can be printed directly via the ④ [print view]. Furthermore, by clicking on ⑤ [e-mail], an e-mail is opened which already contains the intelligent serial number of the currently retrieved instrument and this can be sent to any recipient, but also, for example, to a corresponding Wika contact, in order to re-order exactly the same product, as an example.

3. Safety

3. Safety

EN

3.1 Explanation of symbols



WARNING!

... indicates a potentially dangerous situation that can result in serious injury or death, if not avoided.



CAUTION!

... indicates a potentially dangerous situation that can result in light injuries or damage to equipment or the environment, if not avoided.



DANGER!

... indicates a potentially dangerous situation in the hazardous area that can result in serious injury or death, if not avoided.



Information

... points out useful tips, recommendations and information for efficient and trouble-free operation.

3.2 Intended use

This CPG1500 precision digital pressure gauge can be used as a calibration instrument and also for any application which requires high-accuracy pressure measurement.

The instrument has been designed and built solely for the intended use described here, and may only be used accordingly.

The technical specifications contained in these operating instructions must be observed. Improper handling or operation of the instrument outside of its technical specifications requires the instrument to be taken out of service immediately and inspected by an authorised WIKA service engineer.

Handle electronic precision measuring instruments with the required care (protect from humidity, impacts, strong magnetic fields, static electricity and extreme temperatures, do not insert any objects into the instrument or its openings).

The manufacturer shall not be liable for claims of any type based on operation contrary to the intended use.

3. Safety

3.3 Improper use

EN



WARNING!

Modifications to the instrument

Modifications to the equipment will invalidate all approvals!

- ▶ Refrain from unauthorised modifications to the instrument.
- ▶ Use the instrument only for the use described here.



WARNING!

Injuries through improper use

Improper use of the instrument can lead to hazardous situations and injuries.

- ▶ Refrain from unauthorised modifications to the instrument.
- ▶ Do not use the instrument with abrasive or viscous media.
- ▶ If the CPG1500 is used in applications with oil as a pressure medium, make sure it will not be used with combustibles or gases directly after that because it can lead to dangerous explosions and danger to personnel and machinery.

Any use beyond or different to the intended use is considered as improper use.

3.4 Personnel qualification



WARNING!

Risk of injury should qualification be insufficient

Improper handling can result in considerable injury and damage to equipment.

- ▶ The activities described in these operating instructions may only be carried out by skilled personnel who have the qualifications described below.

Skilled personnel

Skilled personnel, authorised by the operator, are understood to be personnel who, based on their technical training, knowledge of measurement and control technology and on their experience and knowledge of country-specific regulations, current standards and directives, are capable of carrying out the work described and independently recognising potential hazards.

Special knowledge for working with instruments for hazardous areas:

The skilled personnel must have knowledge of ignition protection types, regulations and provisions for equipment in hazardous areas.

Special operating conditions require further appropriate knowledge, e.g. of aggressive media.

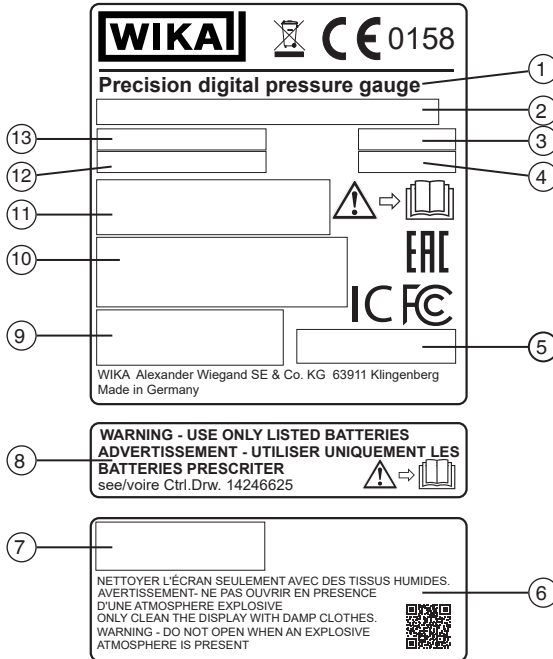
3. Safety

3.5 Labelling, safety marks

Product label

The product label is located on the rear of the CPG1500 on the cover of the battery compartment.

EN



- ① Product name
- ② Order code
- ③ Accuracy
- ④ Date of manufacture
- ⑤ Radio approval
- ⑥ Note for battery change
- ⑦ Serial number
- ⑧ Information on the batteries
- ⑨ Approval-related data EAC Ex
- ⑩ Approval-related data CSA Ex

3. Safety

- ⑪ Approval-related data ATEX
- ⑫ Serial number
- ⑬ Pressure measuring range

EN

Symbols



Before mounting and commissioning the instrument, ensure you read the operating instructions!



Do not dispose of with household waste. Ensure a proper disposal in accordance with national regulations.

3.6 Ex marking



DANGER!

Danger to life due to loss of explosion protection

Non-observance of these instructions and their contents may result in the loss of explosion protection.

- ▶ Observe the safety instructions in this chapter and further explosion instructions in these operating instructions.
- ▶ Observe the information given in the applicable type examination certificate and the relevant country-specific regulations for installation and use in hazardous areas (e.g. IEC/EN 60079-14).
- ▶ The precision digital pressure gauge is not intended for use with flammable substances. It is only suitable for installation in locations providing adequate protection against intrusion of solid foreign objects or water which can impair safety.
- ▶ Only use the listed batteries, see chapter 3.6.2 “Permitted batteries”!
- ▶ Only replace the batteries outside the hazardous area, see chapter 8.2 “Battery replacement”!
- ▶ Temperature range: -10 ... +50 °C (14 ... 122 °F)
- ▶ Only use the protective rubber cap included in the delivery. Protective rubber caps that are prohibited in hazardous areas must be marked with “No Ex” on the rear.

3. Safety

EN

Check whether the classification is suitable for the application. Observe the relevant national regulations.

ATEX

IECEX

- II 1G Ex ia IIC T4 Ga
- II 1/2G Ex ia IIC T4 Ga/Gb
- II 2G Ex ia IIC T4 Gb
Ex ia IIC T4 Gc

3.6.1 Special conditions for use

For the use in category 1G (EPL Ga):

- The case is made of aluminium. The instrument is protected against mechanical impacts in order to prevent stroke and friction sparks during installation.
- The instrument must be installed in such a way that process-related electrostatic charges (e.g. caused by flowing media) are prevented.

For the use in category 1/2G (EPL Ga/Gb):

The separation (membrane) from the wetted area (category 1) indicates a wall thickness of less than 0.2 mm which is function-related. In operation, it must be ensured that any impairment of the separation, e.g. by aggressive media or through mechanical damage, is eliminated.

The thread of the process connection and the partition wall (membrane of the sensor) built into a partition wall of the end use application separating an area requiring EPL Ga from a less hazardous area are made of stainless steel.

The process connection thread shall be self-sealing or sealed by means of sealing material in the thread or sealed by a gasket.

3.6.2 Permitted batteries



DANGER!

Danger to life due to loss of explosion protection

Non-observance of these instructions and their contents may result in the loss of explosion protection.

- ▶ Only use the listed batteries!
- ▶ Only replace the batteries outside the hazardous area!

3. Safety / 4. Design and function

Battery type	Manufacturer	Battery name
4006	Rayovac	Rayovac Maximum Plus
MN1500	Duracell	Duracell Plus Power
MN1500	Duracell	Duracell Simply

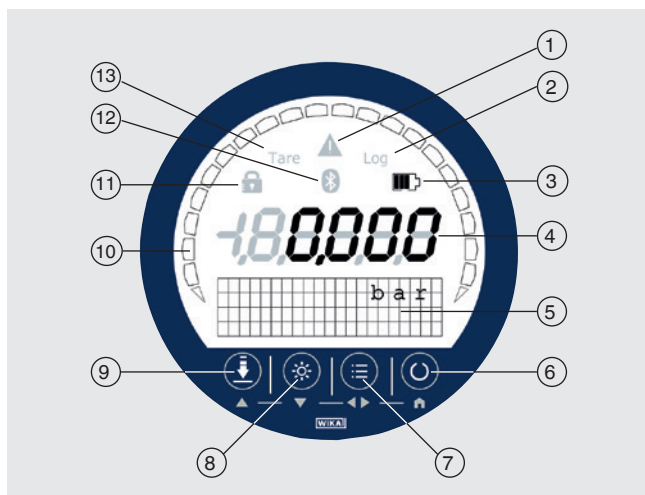
EN

3.6.3 Equipotential bonding

The instrument shall be included in the equipotential bonding / grounding of the application via the process connection. The sealing e.g. for NPT thread connection shall be conductive to avoid potential differences caused by isolated mounting.

4. Design and function

4.1 Front foil






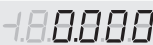






Pos.	Symbol	The symbol lights up on:
①		<ul style="list-style-type: none"> ■ Exceeding or dropping below the pressure range ■ Exceeding or dropping below the temperature range ■ Logger memory is more than 90 % full ■ Instrument error or battery status < 10 %
②	Log	Logger function active

14161966.05 07/2018 EN/DE

4. Design and function

EN

Pos.	Symbol	The symbol lights up on:
③		The battery symbol is lit continuously and is dependent upon the current battery status.
		Battery status 100 % Outline and all segments are lit
		Battery status 80 % Outline and first three segments are lit
		Battery status 60 % Outline and first two segments are lit
		Battery status 40 % Outline and first segment are lit
		Battery status 20 % Outline is lit continuously ⇒ Insert new batteries (see chapter 8.2 "Battery replacement").
④		Pressure indication The 5 ½ digit 7-segment display always indicates the current pressure value. If the pressure value is no longer current, lines will be displayed (in low-power mode over 10 s)
⑤		Matrix field serves as menu and secondary display The matrix field consists of 4 x 21 cells (rows x columns) and serves as a menu and secondary display.
⑩		Bar graph indicates the current pressure graphically The bar graph consists of 20 segments and two end points at the front and rear ends. The bar graph indicates the current pressure proportionally to the measuring range. If the measuring range has been underrun, the front point lights up; with an overrun, the rear point lights up.
⑪		When the [ZERO] or [MENU] button has been locked via WIKA-Cal and must be activated manually. The password protection is implemented via the WIKA-Cal calibration software.
⑫		WIKA-Wireless (only for instruments with option WIKA-Wireless) ■ Symbol is blinking: WIKA-Wireless is active but not connected ■ Symbol is lit continuously: WIKA-Wireless is active and connected
⑬	Tare	TARE function active






Further definitions

"XXX"	Menu XXX will be selected
[XXX]	Press XXX button

4. Design and function

Function buttons

The CPG1500 is controlled via 4 function buttons, with each button having a main and a secondary function. In general, the information printed on the buttons corresponds to the main function: “ZERO”, “LIGHT”, “MENU”, “ON/OFF”. Once the [MENU] button is active, the secondary function applies. These are, from left to right: Cursor up “UP / ▲”, cursor down “DOWN / ▼”, left/right cursor “L / ◀” or “R / ▶” and “HOME”.

Pos.	Button	
⑥		ON/OFF button The main function is switching the CPG1500 on and off. If the digital pressure gauge is already in menu mode, a short press on the [On/Off] button brings up “HOME”. A long press (at least 3 seconds) switches the CPG1500 off.
⑦		MENU button Calling up the menu By activating the [MENU] button, the menu mode is enabled. If the CPG1500 is already inside the menu mode, depending on the display, “L” or “R” will be done. If the button is pressed for longer, after 2 seconds the cursor switches (right ◀ or ▶ left). Inputs are confirmed with the [MENU] button.
⑧		LIGHT button Turning the backlighting on and off By activating the [LIGHT] button (short or long press) the light is switched on. The duration of the light being on depends on “LIGHT-OFF” in “SETTINGS”. <ul style="list-style-type: none">■ 1 x pressing the [LIGHT] button (Light = On)■ 2 x pressing the [LIGHT] button (Light = Off) If the CPG1500 is in menu mode, with a short press on the [LIGHT] button, the cursor can be moved downwards.
⑨		ZERO button The current pressure value will be set to “0” (gauge) or reference pressure (abs.). By activating the [ZERO] button, the current pressure value is set to “0”. A maximum of 5 % of the measuring span can be corrected. If the CPG1500 is in menu mode, with a short press on the [ZERO] button, the cursor can be moved upwards.
		For gauge pressure measuring instruments, in the range of the zero point, $\pm 5\%$ of the measured value will be set to “0”. With absolute pressure sensors, on pressing the [ZERO] button, an input window appears. Here, the current reference pressure must be entered. The reference pressure must also be within $\pm 5\%$ of the initial absolute pressure of the instrument, then the measured value will be set to the reference pressure entered.

4. Design and function

4.2 Integrated data logger

The CPG1500 features an integrated data logger.

This data logger can be switched on and set via **[MENU]** / **[Logger]** (respectively).

If the log rate time is longer than the measuring rate, the CPG1500 will take the average pressure value instead of the current pressure value.

Example:

The average value should be measured over 60 seconds:

- ▶ Setting log rate: 60 s
- ▶ Measuring rate: $\geq 50/s$
 - ⇒ Every 60 seconds **1x P_ave.**, **1x P_max**, **1+P_min** and **1+temp.** will be redorded

4.3 Voltage supply

Three AA alkaline batteries are used as the voltage supply for the instrument. These are included in delivery.

The battery life time is up to 2,000 hours for continuous operation (without backlighting and with WIKA-Wireless deactivated).

In the upper right half of the display there is a symbol for the battery capacity. Instructions on batteries (see chapter 8.2 “Battery replacement”).

The battery indicator lights up

To avoid false readings, replace the batteries.

Instructions on batteries (see chapter 8.2 “Battery replacement”).

4.4 WIKA-Wireless

To start wireless data transmission, you must set it to “**On**” under “**Menu / Basic settings / Wireless**”. Once this has been done, the wireless symbol blinks in the display. As soon as the CPG1500 is connected to a computer via this wireless interface, the symbol lights continuously.

Under “**Menu / Basic settings / Wireless / Wireless**”, a distinction can be made between the communication type WIKA-Wireless Classic or WIKA-Wireless Classic with WIKA-Wireless Low Energy (= LE).

WIKA-Wireless Low Energy (= LE) is required to communicate with an IOS-enabled mobile phone via the myWIKa-device smartphone app.

It is recommended to select WIKA-Wireless Classic for a connection with PC and/or an Android-enabled instrument.

4. Design and function



The WIKA-Wireless USB stick is suitable for enabling smooth communication with the computer. It is optionally available as an accessory.

EN

4.5 Connections

The CPG1500 is available with all standard industrial threaded connections, as standard G ½ B is specified.

When screwing the NPT thread of the CPG1500 to an adapter or a pressure connection, it is necessary to use additional sealing material between the threads, e.g. PTFE tape. The hose, lines and fittings etc. must always be approved at least for the working pressure which corresponds to the pressure of the instrument. In addition, there must be no leaks during calibration process - if necessary, seal using PTFE tape.

4.6 Protective rubber cap for case

Optionally, the CPG1500 can be fitted with an impact-resistant protective rubber cap.

5. Transport, packaging and storage

5. Transport, packaging and storage

5.1 Transport

Check the model CPG1500 precision digital pressure gauge for any damage that may have been caused by transport.

Obvious damage must be reported immediately.



CAUTION!

Damage through improper transport

With improper transport, a high level of damage to property can occur.

- ▶ When unloading packed goods upon delivery as well as during internal transport, proceed carefully and observe the symbols on the packaging.
- ▶ With internal transport, observe the instructions in chapter 5.2 "Packaging and storage".

If the instrument is transported from a cold into a warm environment, the formation of condensation may result in instrument malfunction. Before putting it back into operation, wait for the instrument temperature and the room temperature to equalise.

5.2 Packaging and storage

Do not remove packaging until just before mounting.

Keep the packaging as it will provide optimum protection during transport (e.g. change in installation site, sending for repair).

Permissible conditions at the place of storage:

- Storage temperature: -20 ... +70 °C (-4 ... +158 °F)
- Humidity: 0 ... 90 % relative humidity (no condensation)

Avoid exposure to the following factors:

- Direct sunlight or proximity to hot objects
- Mechanical vibration, mechanical shock (putting it down hard)
- Soot, vapour, dust and corrosive gases

Store the instrument in its original packaging in a location that fulfils the conditions listed above. If the original packaging is not available, pack and store the instrument as described below:

1. Remove the batteries from the instrument and store them separately, see chapter 8.2 "Battery replacement".
2. Wrap the instrument in an antistatic plastic film.
3. Place the instrument, along with the shock-absorbent material, in the packaging.
4. If stored for a prolonged period of time (more than 30 days), place a bag containing a desiccant inside the packaging.

6. Commissioning, operation

6. Commissioning, operation

Personnel: Skilled personnel

Tools: Open-ended spanner SW 27 or torque spanner

EN

Only use original parts (see chapter 11 “Accessories”).



DANGER!

Danger to life from explosion!

Through working in flammable atmospheres, there is a risk of explosion which can cause death.

- ▶ Only carry out set-up work in non-hazardous environments!
- ▶ Only connect test and calibration installations once the system has been depressurised (atmospheric).



WARNING!

Physical injuries and damage to property and the environment caused by hazardous media

Upon contact with hazardous media (e.g. oxygen, acetylene, flammable or toxic substances), harmful media (e.g. corrosive, toxic, carcinogenic, radioactive), and also with refrigeration plants and compressors, there is a danger of physical injuries and damage to property and the environment. Should a failure occur, aggressive media with extremely high temperature and under high pressure or vacuum may be present at the instrument.

- ▶ For these media, in addition to all standard regulations, the appropriate existing codes or regulations must also be followed.

6.1 Mechanical mounting



CAUTION!

Damage to the instrument

To avoid possible damage to CPG1500 or to test equipment, note the following:

- ▶ Make sure the threaded connections are clean and undamaged.
- ▶ When screwing the threads of the CPG1500 to an adapter or a pressure connection, it is necessary to use additional sealing material between the threads, e.g. PTFE tape.
- ▶ With an NPT connection, the sealing must be made directly on the thread with PTFE tape and not via the threaded fitting at the CPG1500.
- ▶ The maximum permitted torque of the thread is 13.5 Nm = 10 ftlbs. This permitted torque must **NEVER** be exceeded.
- ▶ The instrument should be installed in such a way that process-related electrostatic charges (e.g. caused by flowing media) can be excluded.
- ▶ The case is rotatable by 330°. When turning do not touch the display.

6. Commissioning, operation



- ▶ If the message “**OL**” is displayed, the measuring range has been exceeded and the pressure source must be removed immediately from the CPG1500 to prevent damage to the internal sensor.

EN

1. Seal the sealing faces.
2. Screw the precision digital pressure gauge into the mounting point by hand.
 - ▶ When screwing in, do not cross the threads.
3. Tighten with a torque spanner using the spanner flats.
 - ▶ The maximum torque of the CPG1500 is 13.5 Nm = 10 ftlbs.

6.2 Electrical mounting



DANGER!

Danger to life from explosion!

Through working in flammable atmospheres, there is a risk of explosion which can cause death.

- ▶ Only carry out set-up work in non-hazardous environments!
- ▶ Only connect test and calibration installations once the system has been depressurised (atmospheric).
- ▶ Do not use rechargeable batteries!
- ▶ Only use the listed batteries, see chapter 3.6.2 “Permitted batteries”!
- ▶ Only replace the batteries outside the hazardous area, see chapter 8.2 “Battery replacement”!
- ▶ Always replace all three batteries together!

6.3 Normal operation

Make a long press on the [**On/Off**] button, in order to activate the precision digital pressure gauge. Push the button again to turn it off.

After switching on, the start-up screen with pressure range and firmware version is shown on the display for approx. 3 seconds.

Zeroing the display: Press and hold the [**ZERO**] button.

The CPG1500 has to be set to 0 with the [**ZERO**] button before each use.

MAX/MIN: The CPG1500 stores the minimum and maximum pressure in the memory.

This value can be activated under “**MENU / MEASURING MODE / PEAK VALUES**” and is displayed in the text field.

6. Commissioning, operation

6.4 Menu functions

► Press **[MENU]** button to start

Press the buttons (►) to enter the individual menu level.

Set the parameters or the menu level using the buttons (▼ or ▲).

EN

Menu level	Menu level 2	Menu level 3
Measuring mode		
	Unit	
		bar (default)
		mbar
		psi
		kg/cm ²
		Pa
		kPa
		hPa
		MPa
		mmH ₂ O
		mH ₂ O
		inH ₂ O
		inH ₂ O (4 °C)
		inH ₂ O (60 °F)
		inH ₂ O (20 °C)
		ftH ₂ O
		mmHg
		cmHg
		inHg
		inHg (0 °C)
		inHg (60 °F)
		kp/cm ²
		lbf/ft ²
		kN/m ²
		atm
		Torr
		micron
		m
		cm
		mm
		feet
		inch
		UserUnit 1
		UserUnit 2
		UserUnit 3

6. Commissioning, operation

EN

Menu level	Menu level 2	Menu level 3
	Peak values	
		Off (default)
		On
		reset
	Temperature	
		Off (default)
		°C
		°F
		K
	Tare	
		Off (default)
		On
		Offset (0.0000)
		[Limit: ±9.9999 {depending on resolution}]
	Mean value	
		Off (default)
		On
		Interval (10 s) [Limit: 300 s]
	Rate	
		Off (default)
		/s
		/min
	Resolution	
		4
		5 (default)
		5-1/2
	Damping	
		Off (default)
		low
		medium
		high
	Measuring rate	
		1/s
		3/s (default)
		10/s
		50/s [max. speed]
		Logger interval

6. Commissioning, operation

EN

Menu level	Menu level 2	Menu level 3
	Alarm	
		Off (default)
		On
		lower (1.0000) [Limit: \pm measuring range limit - 10 %]
		upper (10.000) [Limit: \pm measuring range limit + 10 %]
	Level	
		Density 1.0 [kg/dm ³]
		kg/dm³ (default)
		lb/ft ³
		kg/m ³
	Adjustment	
		Offset
		Span factor
Logger		
	Start / Stop	
		Start / Stop
	Interval	
		10.0 s (default) [Limit: 0 ... 3,600 s] 0 corresponds to the logging with measuring rate.
	Duration	
		Off
		On
		Duration (0000 h 00 min 01 s) [Limit: 9999 h 59 min 59 s]
	Start time	
		Off
		On
		Start time (00 h 00 min) [Limit: 23 h 59 min]
	Clear last	
		No (default)
		Yes
	Clear all	
		No (default)
		Yes
Default		
	Wireless	
		Off (default)
		On

14161966.05 07/2018 EN/DE

6. Commissioning, operation

Menu level	Menu level 2	Menu level 3
	Language	English (default)
		German
		Spanish
		French
		Italian
	Switch-off time	Off
		5 min
		15 min (default)
		30 min
	Light off	Off (=light is permanently on)
		10 s (default)
		30 s
		60 s
		120 s
	Contrast	20 %
		30 %
		40 %
		50 % (default)
		60 %
		70 %
		80 %
	Time	hh : mm : ss [AM / PM]
	Time format	24 h (default)
		12 h [AM / PM]
	Date	DD / MM /YYYY
	Date format	dd.mm.yyyy (default)
		dd/mm/yyyy
		mm/dd/yyyy
		yyyy-mm-dd
	Factory reset	No (default)
		Yes

6. Commissioning, operation

Menu level	Menu level 2	Menu level 3
EN	Info	
	S# (e.g.: 1A00023458)	= serial number
	T# (e.g.: ABCDEFG12345)	= tag number
	MR: (e.g.: 0...100 bar)	= measuring range
	ManufDat. (e.g.: 10/05/2016)	= date of manufacture
	CalibDat. (e.g.: 10/05/2016)	= calibration date
	Firmware	
	Memory status	In %
	Op hrs	[d h]
	O. pressure	[bar]
O. temp	[°C]	

6.4.1 Pressure units

The CPG1500 is factory preset to the pressure unit of “**bar**” or “**psi**”. Via the menu, the instrument can be changed to 31 predefined pressure and level units, as well as 3 customer-specific units.

For a list of the available technical units of measure, see chapter 10 “Specifications”.

6.4.2 Automatic power-off

The time duration for automatic power-off can be selected from four predefined and fixed steps. Thus it can be set to “**5 min**”, “**15 min**”, “**30 min**” or “**Off**”. With “**Off**”, the instrument remains activated until it is switched off using the [ON/OFF] button or until the batteries are empty.

If a time has been set, then the CPG runs from the last button press for this time and then switches itself off automatically. Also, during a wireless transmission or through a log, the time is stopped and restarted after completion of this.

6.4.3 Battery voltage display

The current battery voltage as well as the remaining useful life of the battery are displayed via the battery symbol.

6.4.4 Current temperature display

The CPG1500 is temperature-compensated. This option displays the temperature measured by the internal sensor. The value indication can be switched from degrees of Fahrenheit to degrees of Celsius.

6.4.5 Setting the damping

With the “**Damping**” setting, one can select between three different, fixed, preconfigured filter settings. With “**Off**”, the filter is inactive and not in operation. Thus only the display on the CPG1500 is damped.

The pressure value that is read over the wireless transmission or the value written to the logger will not be damped.

6. Commissioning, operation

EN

6.4.6 Configuring the sampling rate

The sampling rate defines how frequently the pressure is measured. The options available are 1, 3, 10 and 50 measurements per second or logger interval. The shortest response time is 50 measurements per second.

The display rate is set permanently at 3 x display refresh/s.

6.4.7 TARE (setting tare)

With this option, a constant offset value can be set. If, for example, TARE is set to 30 bar and the measured pressure is 37 bar, the measured value will be displayed as 7 bar. A pressure of 27 bar would then be displayed as -3 bar. The TARE value is set manually using the ▲ and ▼ buttons and depends on the technical units of measure and the resolution selected for the display. The TARE value can be set to the maximum scale range.

The bar graph always indicates the actual pressure with respect to the entire measuring range, irrespective of the tare setting. This is performed for safety reasons so that in case of “0” indication it can still be displayed that the corresponding pressure is present at the pressure gauge.

Contrary to the operating principle of the ZERO button, the offset value under tare does not contribute to the shift of the characteristic curve. If you change the pressure unit, the configured offset value will be automatically converted to match the new unit.

6.4.8 Function locking

Access to adjustable parameters can be selectively turned off, once set, to prevent unauthorized changes to configuration.

Locking the Zero button

The operator can no longer make a “ZERO” using the keypad - it is still possible over the wireless transmission.

Locking the Menu button

Access to the “Menu” is locked. If “ZERO” is not locked, this can still be executed. Over the wireless transmission, all settings can still be read or written.

Instrument write protection

When this lock is set, via the menu on the local display menu as well as over the wireless transmission, access to the settings is read-only - thus no alteration of the settings is possible.

If the “ZERO” lock is not set, the “ZERO” function is still possible.

The individual locks can only be set via WIKA-Cal calibration software over the wireless transmission. For this, the input of a 4-digit PIN is required. This is set to “0000” on supply and can be changed.

6. Commissioning, operation

6.4.9 Adjustment

Under adjustment, the characteristic curve can be shifted by an offset value or a factor related to the span.

EN

The default settings are:

Offset: 0.0000

Span.Faktor: 1.00000

The offset is limited to $\pm 5\%$ and the Span.Faktor limited to $\pm 10\%$.

6.5 Communication with WIKA-Cal calibration software

As soon as a connection exists over WIKA-Wireless, it can communicate with the WIKA-Cal calibration software. It can transmit and evaluate live measurements or also measurements that have already been made, without difficulty.

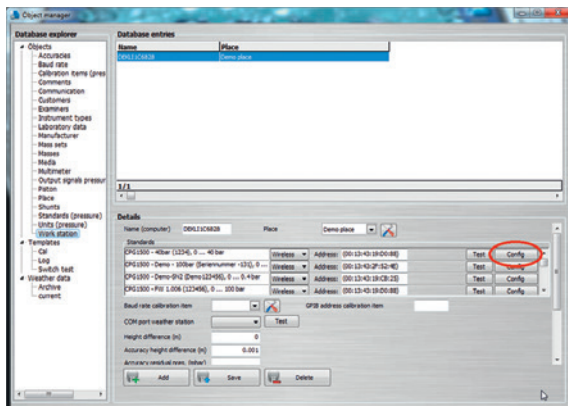
6.5.1 Activating WIKA-Wireless in CPG1500

4. Press the Menu button.
5. Press and hold the \blacktriangleright or \blacktriangleleft button until the "Wireless" default setting appears in the matrix field.
6. Switch on wireless by pressing the \blacktriangledown or \blacktriangleup button.
7. Confirm the setting by pressing the Menu button.
 - ⇒ Once wireless has been switched on, the WIKA-Wireless symbol blinks in the display
 - ⇒ The WIKA-Wireless symbol is lit continuously when a connection has been created.



6. Commissioning, operation

6.5.2 WIKA-Cal configuration (also possible with the demo version)



EN

1. In the WIKA-Cal, define CPG1500 as standard in “**Object manager / Standards (pressure)**” and assign it to the workplace.
2. Open the menu item “**Object manager / Workplace**”.
3. Call the wireless function.
⇒ The wireless monitor opens.
4. Click in the address field.
⇒ The address will be displayed automatically. If required, correct this.
⇒ The communication is working properly if the pressure value displayed on the instrument is shown after pressing the **[Test]** button.
⇒ If the “WIKA-Wireless” function is not activated in CPG1500, an error message shows up. Activate “WIKA-Wireless” in CPG1500, see chapter 6.5.1 “Activating WIKA-Wireless in CPG1500”.
5. Access the configuration of the instrument via **[Config]** in the dialog window.

The “**General**”, “**Units**”, “**Sensor**”, “**Display**”, “**Error diagnosis**” and “**Logger**” functions are available in the configuration window.

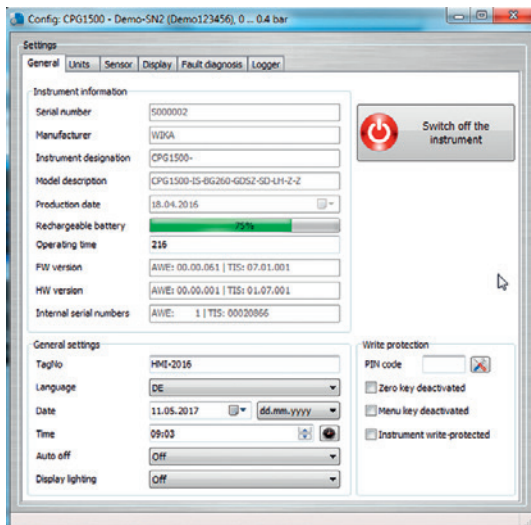
6. Commissioning, operation

General information

Here are all the general parameters of the CPG1500 used.

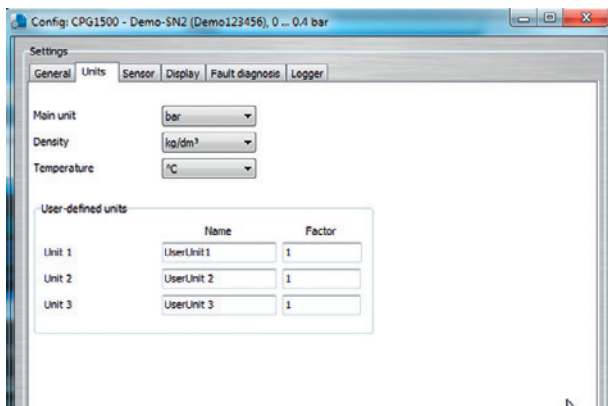
It features the write protection via a PIN code. Therefore the setting is protected against unauthorized access.

EN



Units

You can set specific pressure units with associated factor or enter user-defined units.



6. Commissioning, operation

Sensor

The sensor values can be displayed and be readout.

Display

Here you can set the display.

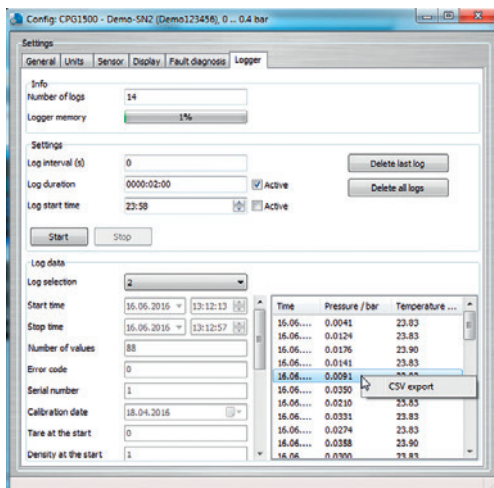
Fault diagnosis

An error description and error code are displayed.

Logger

Here you can configure and start the logger.

The logger data are shown and can be downloaded as CSV file by a right click on the mouse.



6.5.3 WIKA-Cal Log-Template

The following options are available with the “Log-Template”:

New log

The “**New Log**” function opens a new logger protocol.

Following the input of all parameters, the “**Wireless address**” line must be pressed in the communication window. Select the CPG1500 used and confirm.

By pressing the [**Measuring results**] graphic, the logger process is started.

Repeat logging

Logger processes can be repeated

6. Commissioning, operation

Download

The logger sequences stored on the CPG1500 can be downloaded and archived using “Download”.

EN

6.5.4 App “myWIKa device”



Via the app “myWIKa device” and the WIKa-Wireless connection, the CPG1500 can be configured for calibration and log routines in a comfortable way through a mobile phone. During the pressure measurement, the value is displayed in the required unit directly on the phone.

Moreover, further parameters like temperature and pressure change rate can be checked. It is also possible to retrieve more detailed device information directly from the WIKa website. In addition, the app allows configuration, control and saving of log procedures.

Logs that were saved on the mobile phone can be transferred to a PC and be read by WIKa-Cal. With that they can be further processed and the app fills the gap to provide a thorough solution of dealing with data on the CPG1500.

Under the basic settings of the CPG1500, a distinction can be made between the communication type WIKa-Wireless Classic or WIKa-Wireless Classic and WIKa-Wireless Low Energy (= LE).

WIKa-Wireless Low Energy (= LE) is required to communicate with an IOS-enabled mobile phone via the myWIKa-device smartphone app.

It is recommended to select WIKa-Wireless Classic for a connection with PC and/or an Android-enabled instrument.



For iOS-based mobile phones, the app is available in the Apple Store under below link.

[Download here](#)



For mobile phones with an Android operating system, the app is available in the Play Store under below link.

[Download here](#)



7. Faults

7. Faults

Personnel: Skilled personnel

Protective equipment: Protective gloves, safety goggles

Tools: Open-ended spanner SW 27 or torque spanner

EN



DANGER!

Danger to life from explosion

Through working in flammable atmospheres, there is a risk of explosion which can cause death.

- ▶ Only rectify faults in non-flammable atmospheres!



WARNING!

Physical injuries and damage to property and the environment caused by hazardous media

Upon contact with hazardous media (e.g. oxygen, acetylene, flammable or toxic substances), harmful media (e.g. corrosive, toxic, carcinogenic, radioactive), and also with refrigeration plants and compressors, there is a danger of physical injuries and damage to property and the environment. Should a failure occur, aggressive media with extremely high temperature and under high pressure or vacuum may be present at the instrument.

- ▶ For these media, in addition to all standard regulations, the appropriate existing codes or regulations must also be followed.
- ▶ Use the requisite protective equipment.



CAUTION!

Physical injuries and damage to property and the environment

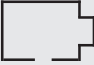
If faults cannot be eliminated by means of the listed measures, the model CPG1500 precision digital pressure gauge must be taken out of operation immediately.

- ▶ Ensure that pressure or signal is no longer present and protect against accidental commissioning.
- ▶ Contact the manufacturer.
- ▶ If a return is needed, please follow the instructions given in chapter 9.2 "Return".



For contact details see chapter 1 "General information" or the back page of the operating instructions.

7. Faults / 8. Maintenance, cleaning and recalibration

Display	Causes	Measures
	Low battery voltage, functioning is only guaranteed for a short period of time	Insert new alkaline batteries, see chapter 8.2 "Battery replacement".
OL -OL	Reading is significantly above or below the measuring range = > 10 % FS	Check: Is the pressure within the permissible measuring range of the sensor?
No display or instrument is not responding to button press	Battery is empty	Insert new alkaline batteries, see chapter 8.2 "Battery replacement".
	Batteries inserted incorrectly	Ensure the correct polarity see chapter 8.2 "Battery replacement".
	System error	Switch off the CPG1500, wait for a short period of time, switch on again
	Defect in the CPG1500	Send in for repair

8. Maintenance, cleaning and recalibration

Personnel: Skilled personnel

Protective equipment: Protective gloves, safety goggles

Tools: Open-ended spanner SW 27 or torque spanner



For contact details see chapter 1 "General information" or the back page of the operating instructions.

8.1 Maintenance

The CPG1500 precision digital pressure gauge is maintenance-free.

Repairs must only be carried out by the manufacturer.

This does not apply to the replacement of alkaline batteries.

Only use original parts (see chapter 11 "Accessories").

8. Maintenance, cleaning and recalibration

8.2 Battery replacement



DANGER!

Danger to life from explosion

Through working in flammable atmospheres, there is a risk of explosion which can cause death.

- ▶ Only use the listed batteries, see chapter 3.6.2 “Permitted batteries”!
- ▶ Do not use rechargeable batteries!
- ▶ The instruments must not be opened in hazardous areas!
- ▶ Only replace the batteries outside the hazardous area!
- ▶ Always replace all three batteries together!
- ▶ The battery cover must be closed and locked in place!
- ▶ Secure the battery cover with the three screws!
- ▶ Ensure the correct polarity.

EN

Procedure

1. Turn off the instrument and lay it face down.
2. Loosen the three screws of the battery compartment, see Fig. 1 “Position of the battery compartment”.
3. Remove the battery cover.
4. Insert the three AA-sized batteries in correct polarity. Only use permitted batteries, see chapter 3.6.2 “Permitted batteries”.
5. Put the battery cover on and screw it tight with the three screws.
⇒ Tighten the upper screw first.

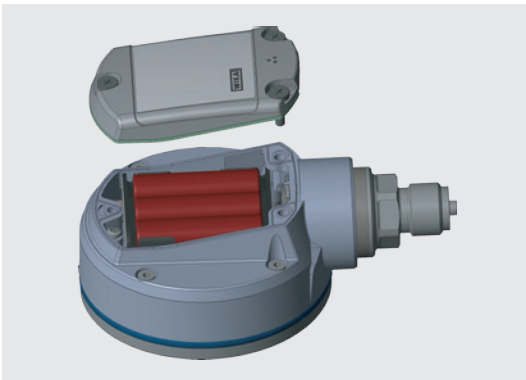


Fig. 1 - Position of the battery compartment



If the instrument is not used for a long time, remove the batteries.

8. Maintenance, cleaning and recalibration

8.3 Cleaning

EN



CAUTION!

Physical injuries and damage to property and the environment

Improper cleaning may lead to physical injuries and damage to property and the environment. Residual media at the dismantled instrument can result in a risk to persons, the environment and equipment.

- ▶ Use the requisite protective equipment.
- ▶ Carry out the cleaning process as described below.

1. Prior to cleaning, isolate the instrument properly from the pressure source and switch it off.
2. Use the requisite protective equipment.
3. Clean the instrument with a moist cloth. Electrical connections must not come into contact with moisture!



CAUTION!

Damage to property

Improper cleaning may lead to damage to the instrument!

- ▶ Do not use any aggressive cleaning agents.
- ▶ Do not use any pointed and hard objects for cleaning.
- ▶ Do not use solvent or scouring agents for cleaning.

4. Wash or clean the dismantled instrument, in order to protect persons and the environment from exposure to residual media.

8.4 Recalibration

Traceable calibrations such as DKD/DAkkS certificate, NIST or comparable certificates - official certificates:

We recommend that the instrument is regularly recalibrated by the manufacturer, with time intervals of approx. 12 months. The basic settings will be corrected if necessary. The calibration label is attached at the side of CPG1500. For instruments with protective rubber cap(s), the calibration label is located beneath the protection cap.



Fig. 2 - CPG1500 with protective rubber cap



Fig. 3 - CPG1500 without protective rubber cap

9. Dismounting, return and disposal

9. Dismounting, return and disposal

Personnel: Skilled personnel

Protective equipment: Protective gloves, safety goggles

Tools: Open-ended spanner SW 27 or torque spanner

EN



WARNING!

Physical injuries and damage to property and the environment through residual media

Residual media at the dismantled model CPG1500 precision digital pressure gauge can result in a risk to personnel, the environment and equipment.

- ▶ Observe the information in the material safety data sheet for the corresponding medium.
- ▶ Use the requisite protective equipment.
- ▶ Wash or clean the dismantled instrument, in order to protect persons and the environment from exposure to residual media.

9.1 Dismounting



WARNING!

Physical injuries and damage to property and the environment through residual media

Upon contact with hazardous media (e.g. oxygen, acetylene, flammable or toxic substances), harmful media (e.g. corrosive, toxic, carcinogenic, radioactive), and also with refrigeration plants and compressors, there is a danger of physical injuries and damage to property and the environment.

- ▶ Before storage of the dismantled instrument (following use) wash or clean it, in order to protect persons and the environment from exposure to residual media.



WARNING!

Physical injury

When dismantling, there is a danger from aggressive media and high pressures.

- ▶ Disconnect test and calibration installations once the system has been depressurised.

1. Switch of the CPG1500 precision digital pressure gauge
2. Unscrew the digital pressure gauge with a spanner or torque spanner till it is loose using the spanner flats.
3. Screw out the digital pressure gauge by hand.
4. If required, clean the digital pressure gauge, see chapter 8.3 "Cleaning".

9. Dismounting, return and disposal

9.2 Return

Strictly observe the following when shipping the instrument:

All instruments delivered to WIKA must be free from any kind of hazardous substances (acids, bases, solutions, etc.) and must therefore be cleaned before being returned.

EN



WARNING!

Physical injuries and damage to property and the environment through residual media

Residual media at the dismantled instrument can result in a risk to persons, the environment and equipment.

- ▶ With hazardous substances, attach the material safety data sheet for the corresponding medium.
- ▶ Clean the instrument (see chapter 8.3 “Cleaning”).

When returning the instrument, use the original packaging or a suitable transport packaging.

To avoid damage:

1. Wrap the instrument in an antistatic plastic film.
2. Place the instrument, along with the shock-absorbent material, in the packaging. Place shock-absorbent material evenly on all sides of the transport packaging.
3. If possible, place a bag, containing a desiccant, inside the packaging.
4. Label the shipment as transport of a highly sensitive measuring instrument.



Information on returns can be found under the heading “Service” on our local website.

9.3 Disposal

Incorrect disposal can put the environment at risk.

Dispose of instrument components and packaging materials in an environmentally compatible way and in accordance with the country-specific waste disposal regulations.



Do not dispose of with household waste. Ensure a proper disposal in accordance with national regulations.

10. Specifications

10. Specifications



DANGER!

Danger to life due to loss of explosion protection

The non-observance of the instructions for use in hazardous areas can lead to the loss of the explosion protection.

- ▶ Adhere to the following limit values and instructions.
- ▶ The radio regulations of the respective location must be observed.

EN

10.1 Sensor technology

Sensor technology							
Measuring range							
Gauge pressure	bar	0 ... 0.1 ¹⁾	0 ... 0.25 ²⁾	0 ... 0.4 ²⁾	0 ... 0.6 ²⁾		
		0 ... 1	0 ... 1.6	0 ... 2.5	0 ... 4		
		0 ... 6	0 ... 10	0 ... 16	0 ... 25		
		0 ... 40	0 ... 60	0 ... 100	0 ... 160		
		0 ... 200	0 ... 250	0 ... 400	0 ... 600		
		0 ... 700 ³⁾	0 ... 1,000 ³⁾	0 ... 1,600 ⁴⁾	0 ... 2,500 ⁴⁾		
		0 ... 4,000 ⁵⁾	0 ... 6,000 ⁵⁾	0 ... 7,000 ⁵⁾	0 ... 8,000 ⁵⁾		
		0 ... 10,000 ⁵⁾					
	psi	0 ... 1.5 ¹⁾	0 ... 5 ²⁾	0 ... 10 ²⁾	0 ... 15		
		0 ... 20	0 ... 30	0 ... 50	0 ... 60		
		0 ... 100	0 ... 150	0 ... 160	0 ... 200		
		0 ... 300	0 ... 500	0 ... 700	0 ... 1,000		
		0 ... 1,500	0 ... 2,000	0 ... 3,000	0 ... 5,000		
		0 ... 6,000	0 ... 8,000	0 ... 10,000 ³⁾	0 ... 15,000 ³⁾		
		0 ... 20,000 ⁴⁾	0 ... 30,000 ⁵⁾	0 ... 50,000 ⁵⁾	0 ... 100,000 ⁵⁾		
		0 ... 150,000 ⁵⁾					
		Absolute pressure	bar abs.	0 ... 0.25 ²⁾	0 ... 0.4 ²⁾	0 ... 0.6 ²⁾	0 ... 1
				0 ... 1.6	0 ... 2.5	0 ... 4	0 ... 6
0 ... 7	0 ... 10			0 ... 16	0 ... 20		
0 ... 25	0 ... 40						
psi abs.	0 ... 3.5 ²⁾		0 ... 5 ²⁾	0 ... 10 ²⁾	0 ... 15		
	0 ... 20		0 ... 30	0 ... 50	0 ... 60		
	0 ... 100		0 ... 150	0 ... 200	0 ... 300		
	0 ... 500						

10. Specifications

EN

Sensor technology

Vacuum and +/- measuring ranges	bar	-0.25 ... +0.25 ²⁾	-0.4 ... +0.4 ²⁾	-0.6 ... +0.6	-1 ... 0
		-1 ... +0.6	-1 ... +1.5	-1 ... 2.5	-1 ... 3
		-1 ... 5	-1 ... 7	-1 ... 9	-1 ... 10
		-1 ... 15	-1 ... 24	-1 ... 25	-1 ... 39
		-1 ... 40			
	psi	-14.5 ... 0	-14.5 ... +15	-14.5 ... 40	-14.5 ... 70
		-14.5 ... 100	-14.5 ... 130	-14.5 ... 300	-3 ... +3 ²⁾
		-5 ... +5 ²⁾	-8 ... +8	-3 ... 0 ²⁾	-5 ... 0 ²⁾
		-8 ... 0 ²⁾			

Overpressure safety

Sensor	3 times; < 25 bar 2 times; > 25 bar ... ≤ 600 bar 1,5 times; > 600 bar ... ≤ 1,600 bar 1,3 times; > 1,600 bar 1,1 times; > 6,000 bar	3 times; < 360 psi 2 times; > 360 psi ... ≤ 8,700 psi 1,5 times > 8,700 psi ... ≤ 25,000 psi 1,3 times; > 25,000 psi 1,1 times; > 85,000 psi
--------	--	--

Display	> 110 % FS or -10 % FS
---------	------------------------

Accuracy ^{6) 7)}	Standard: 0.1 % FS Optional: 0.05 % FS ⁸⁾ oder 0.025 % FS ^{8) 9)}
---------------------------	---

Compensated temperature range	-10 ... +50 °C (14 ... 122 °F)
-------------------------------	--------------------------------

Type of pressure	Gauge pressure, absolute pressure (up to 20 bar abs. (290 psi abs.)) and vacuum measuring ranges
------------------	--

Process connection

Standard ≤ 1,000 bar (≤15,000 psi)	G ½ B, G ¼ B, ½ NPT, ¼ NPT, G 1 B flush, G ½ B flush
--	--

High-pressure version > 1,000 bar (> 15,000 psi)	<ul style="list-style-type: none"> ■ M16 x 1.5 female with sealing cone ■ M20 x 1.5 female with sealing cone ■ 9/16 - 18 UNF female F 250-C
--	--

Pressure medium	All liquids and gases which are compatible with 316 stainless steel
-----------------	---

Adjustment	Offset and span factor adjustable
------------	-----------------------------------

- 1) Expanded accuracy of 0.2 % FS
- 2) Expanded accuracy of 0.15 % FS
- 3) Not possible as flush version
- 4) Expanded accuracy of 0.15 % FS, at reference conditions 23 °C ±3 °C
- 5) Expanded accuracy of 0.25 % FS, at reference conditions 23 °C ±3 °C
- 6) It is defined by the total measurement uncertainty, which is expressed with the coverage factor (k = 2) and includes the following factors: the intrinsic performance of the instrument, the measurement uncertainty of the reference instrument, long-term stability, influence of ambient conditions, drift and temperature effects over the compensated range during a periodic zero point adjustment.
- 7) FS = Full span = end of measuring range - start of measuring range
- 8) At a measuring rate of ≤ 3 measured values per second
- 9) Only for ≥ 0 ... 1 bar up to ≤ 0 ... 1.000 bar (≥ 0 ... 15 psi up to ≤ 0 ... 14.500 psi), at reference conditions 23 °C ±3 °C

14161966.05 07/2018 EN/DE

10. Specifications

10.2 Basic instrument

Basic instrument	
Display	
Display	5 ½ digit 7-segment display (including a large matrix area for auxiliary information) Bar graph, 0 ... 100 % Selectable backlighting
Rotatable case	The case is rotatable by 330°.
Resolution	4 ... 5 ½ digits; adjustable; depending on the selected pressure unit
Pressure units	Standard: psi, bar Selectable to: mbar, kg/cm ² , Pa, hPa, kPa, Mpa, mmH ₂ O, mH ₂ O, inH ₂ O, inH ₂ O (4 °C), inH ₂ O (20 °C), inH ₂ O (60 °F), ftH ₂ O, mmHg, cmHg, inHg, inHg (0 °C), inHg (60 °F), kp/cm ² , lbf/ft ² , kN/m ² , atm, Torr, micron as well as user-defined units ¹⁰⁾
Functions	
Measuring rate	max. 50/s
Menu languages	Standard: English Selectable: German, Italian, French, Spanish, Russian and Polish
Memory	Standard: Min./Max. Optional: Integrated data logger
Menu functions	Min./Max. alarm (visual), Power-off function, measuring rate, mean value filter, pressure rating, mean value (via adjustable interval), filling level display, tare offset, indicator damping
Mean value interval	1 ... 300 seconds, adjustable
Data logger ¹¹⁾	Cyclic logger: Automatic recording of up to 1,000,000 values; Cycle time: selectable from 1 ... 3,600 s in steps of 1 second or by measuring rate in the following steps: 1/s, 3/s, 10/s and 50/s
Material	
Wetted parts	≤ 1.000 bar: Stainless steel 316 > 1.000 bar: Stainless steel 1.4534 -1 ... < 40 bar: Stainless steel 316 > 40 ... 1.000 bar: Stainless steel 316 + Elgiloy cells 2.4711
Case	Aluminium die-casting, nickel-plated
Voltage supply	
Power supply	3 x 1.5 V AA alkaline batteries ¹²⁾
Maximum voltage	DC 4.95 V (spark ignition)
Battery life	typical 2,000 ... 2,500 h (without backlighting and WIKA-Wireless not active)
Battery status display	Symbol display, with 4 bars displaying the battery status in segments of 25 %

EN

10. Specifications

Basic instrument

Permissible ambient conditions

Operating temperature	-10 ... +50 °C (14 ... 122 °F)
Medium temperature	-10 ... +50 °C (14 ... 122 °F) (lower temperature limit above the freezing point of the medium)
Storage temperature	-20 ... +70 °C (-4 ... +158 °F)
Relative humidity	< 95 % r. h. (non-condensing)

Communication (optional)

Interface	WIKA-Wireless ¹³⁾
-----------	------------------------------

Case

Dimensions	approx. 100 x 150 x 59 mm (3.9 x 5.9 x 2.3 in)
Ingress protection	IP65
Weight	<ul style="list-style-type: none">■ incl. batteries approx. 680 g (1.5 lbs)■ with protective rubber cap: approx. 820 g (1.81 lbs)

10) The user-defined units can only be set via the WIKA-Cal software. The CPG1500 must feature WIKA-Wireless.

11) To evaluate the logger data, WIKA-Cal software is needed.

The logger data can be downloaded with the WIKA-Cal demo version as a CSV file. The live logger, an accurate data analysis or a direct certificate creation can be used with the logger template WIKA-Cal.

12) For hazardous areas, only the following types are allowed:

- Duracell, Simply by Duracell MN1500
- Duracell, Duralock Plus Power MN1500
- Varta, RAYOVAC Maximum Plus 4006

10.3 WIKA-Wireless

WIKA-Wireless ¹³⁾

Frequency range	2,400 ... 2,500 MHz
HF output power	max. 2 dBm (+ 2 dBi)
Number of channels	
Classic	79
Low Energy	40
Channel spacing	
Classic	1 MHz
Low Energy	2 MHz
Bandwidth	1 or 2 MHz
Output power	4 dBm / 10 mW Maximum output power under fault conditions for Ex ia: 490 mW

13) Requires a PC with Bluetooth® 2.1 interface

WIKA-Wireless Low Energy (= LE) is required to communicate with an IOS-enabled mobile phone via the myWIKA-device smartphone app.

10. Specifications



The use of the radio module is subject to the provisions and regulations of the respective country and the module may only be used in the countries for which a country certification is available:

Austria, Belgium, Cyprus, Czech Republic, Denmark, Estonia, Finland, France, Germany, Greece, Hungary, Ireland, Italy, Latvia, Lithuania, Luxembourg, Malta, Poland, Portugal, Slovakia, Slovenia, Spain, Sweden, Netherlands, United Kingdom, Switzerland and Norway

Instruments with FCC / IC marking are also allowed in USA and Canada.



Check whether these approvals apply to your country. It is not permitted to use WIKA-Wireless in countries without valid radio approval.

Dieses Gerät erfüllt Teil 15 der FCC-Vorschriften.

Der Betrieb unterliegt den beiden folgenden Bedingungen:

1. Dieses Gerät darf keine schädlichen Störungen verursachen.
2. Dieses Gerät muss alle empfangenen Störungen annehmen, einschließlich Störungen, die zu unbeabsichtigtem Betrieb führen können.

FCC and IC Notice:

This instrument complies with part 15 of the FCC rules.

Operation is subject to the following two conditions:

1. This instrument may not cause harmful interference.
2. This instrument must accept any interference received, including interference that may cause undesired operation.

Cet instrument satisfait à la section 15 de la réglementation FCC.

L'exploitation est autorisée aux deux conditions suivantes :

1. l'appareil ne doit pas produire de brouillage, et
2. l'utilisateur de l'appareil doit accepter tout brouillage radioélectrique subi, même si le brouillage est susceptible d'en compromettre le fonctionnement.



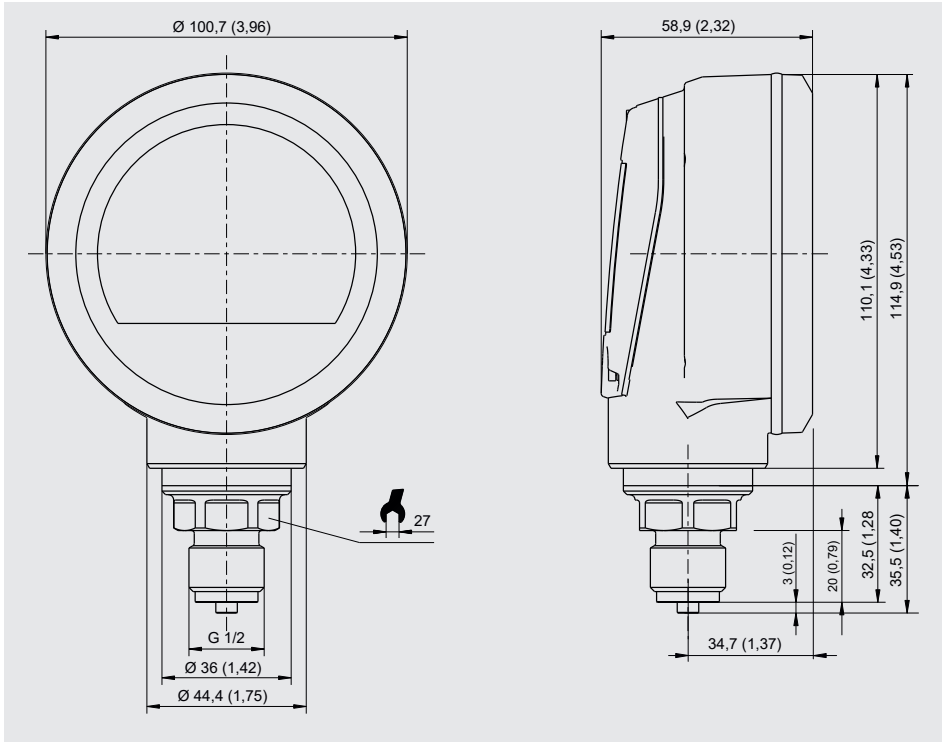
This instrument has been tested and found to comply with the limits for a class B digital instrument, pursuant to part 15 of the FCC rules. These limits are designed to provide reasonable protection against harmful interference in a residential installation. This equipment generates, uses and can radiate radio frequency energy and, if not installed and used in accordance with the instructions, may cause harmful interference to radio communications. However, there is no guarantee that interference will not occur in a particular installation.

10. Specifications

10.6 Dimensions in mm (in)

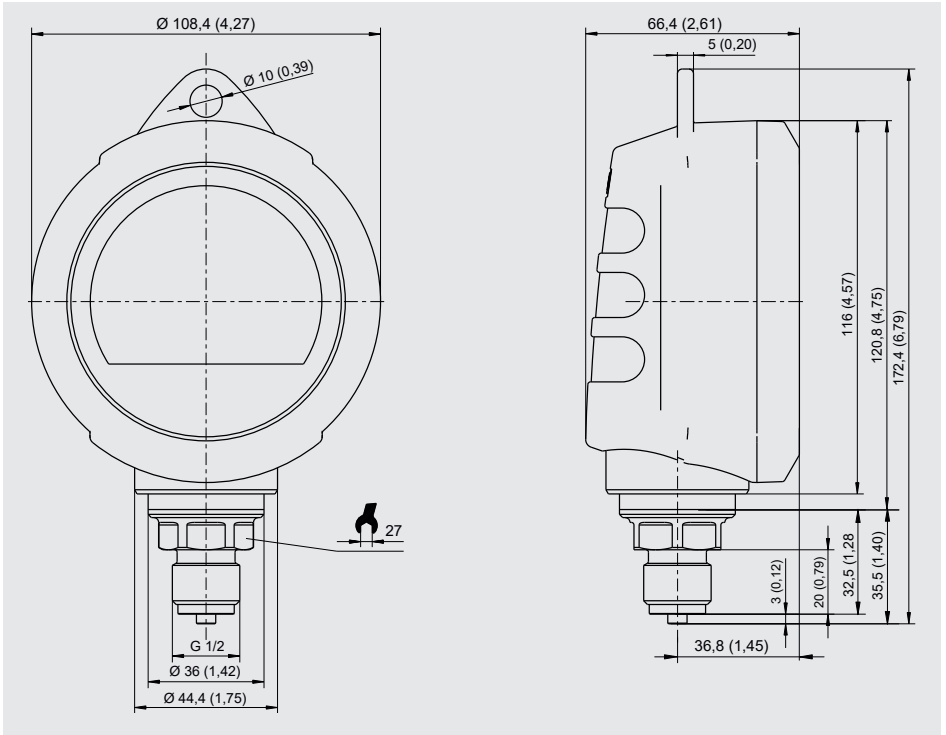
10.6.1 CPG1500 without protective rubber cap

EN



10. Specifications

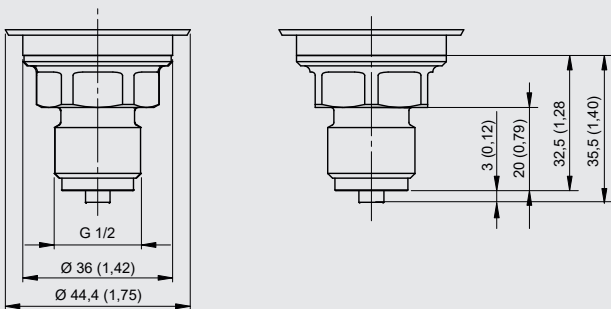
10.6.2 CPG1500 with protective rubber cap



EN

10.7 Threaded connections

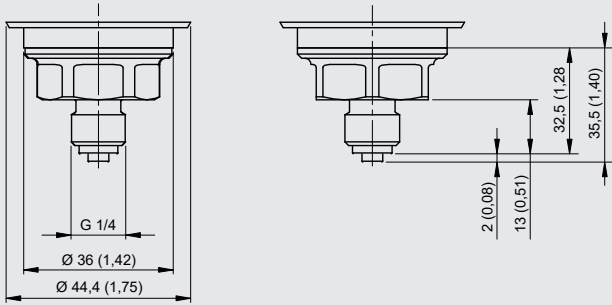
Threaded connection G 1/2



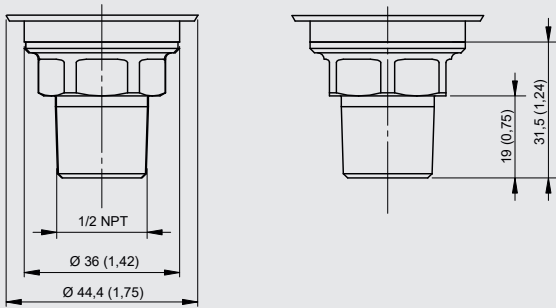
10. Specifications

EN

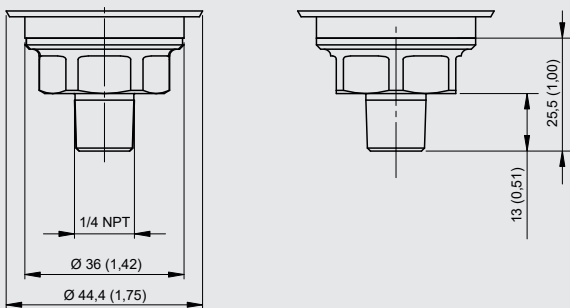
Threaded connection G 1/4



Threaded connection 1/2 NPT



Threaded connection 1/4 NPT

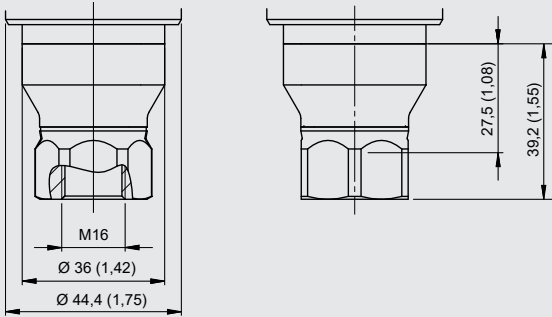


14161966.05 07/2018 EN/DE

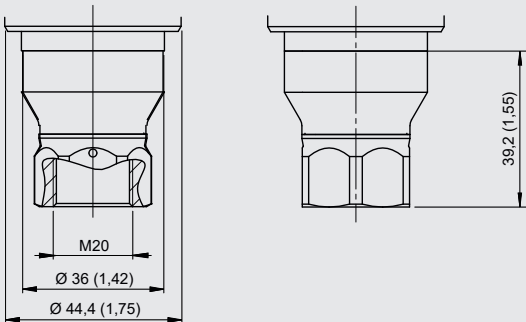
10. Specifications

EN

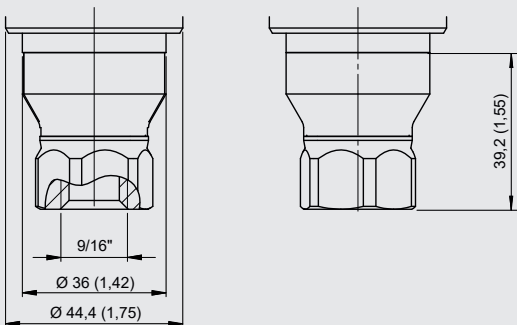
Threaded connection M16



Threaded connection M20



Threaded connection 9/16 - 18 UNF








14161966.05 07/2018 EN/DE

11. Accessories


11. Accessories

EN

Special features		Order code
	Alkaline batteries 3 x 1.5 V AA	-C-
	Protective rubber cap for case	-G-
	Sealing set Consisting of 4 x G ½ USIT seals, 2 x G ¼ USIT seals and plastic box	-D-
	Adapter set for NPT adapter set	-F-
	for BSP adapter set	-B-
	Instrument mounting bracket 90°	-1-
	Plastic case for 1 x digital pressure gauge, 1 x hydraulic hand test pump CPP700-H	-N-
	for 1 x digital pressure gauge, 1 x pneumatic hand test pump CPP7-H or CPP30	-L-
	for 1 x CPG1500 for storage and transport	-5-
	for 3 x CPG1500 for storage and transport	-6-
	WIKA-Wireless USB stick	-2-
Ordering information for your request		
1. Order code: CPP-A-15		↓
2. Option:		[]

14161966.05 07/2018 EN/DE

11. Accessories

		Order code
	Calibration software WIKA-Cal	WIKA-CAL-L
	Service kit Pneumatic Hydraulic	CPG-KITP CPG-KITH

EN

WIKA accessories can be found online at www.wika.com.



EN

EU-Konformitätserklärung EU Declaration of Conformity

Dokument Nr.: **14159658.03**
Document No.:


Wir erklären in alleiniger Verantwortung, dass die mit CE gekennzeichneten Produkte
We declare under our sole responsibility that the CE marked products

Typenbezeichnung: **CPG1500**
Type Designation:

Beschreibung: **Präzisions-Digitalmanometer**
Description: **Precision digital pressure gauge**

gemäß gültigem Datenblatt:
according to the valid data sheet: **CT 10.51**

die wesentlichen Schutzanforderungen der folgenden Richtlinien erfüllen: **Harmonisierte Normen:**
comply with the essential protection requirements of the directives: **Harmonized standards:**

2011/65/EU	Gefährliche Stoffe (RoHS) Hazardous substances (RoHS)	EN 50581:2012
2014/68/EU	Druckgeräterichtlinie (DGRL) ⁽⁵⁾ Pressure Equipment Directive (PED) ⁽⁵⁾	
2014/30/EU	Elektromagnetische Verträglichkeit (EMV) ⁽⁶⁾ Electromagnetic Compatibility (EMC) ⁽⁶⁾	EN 61326-1:2013
2014/34/EU	Explosionsschutz (ATEX) ⁽⁷⁾ Explosion protection (ATEX) ⁽⁷⁾	EN 60079-0:2012 + A11:2013 EN 60079-11:2012 EN 60079-26:2015
	 II 1G Ex ia IIC T4 Ga II 1/2G Ex ia IIC T4 Gb II 2G Ex ia IIC T4 Gb	
2014/53/EU	Funkanlagen ⁽¹⁾ Radio Equipment ⁽¹⁾	EN 60950:2006 + A11:2009 + A1:2010 + A12:2011 + A2:2013 ⁽²⁾ EN 62479:2010 ⁽²⁾ EN 61326-1:2013 ⁽³⁾ EN 301 489-1 V1.9.2 (2011-09) ⁽³⁾ EN 301 489-17 V2.2.1 (2012-09) ⁽³⁾ EN 300 328 V2.1.1 (2016-11) ⁽⁴⁾

(1) Nur für CPG1500-***-*****-W und CPG1500-***-*****-M
For CPG1500-***-*****-W and CPG1500-***-*****-M only

(2) Gesundheit und Sicherheit (Artikel 3 (1) a) / Protection of health and safety (Article 3 (1) (a))

(3) Elektromagnetische Verträglichkeit (Artikel 3 (1) b) / Electromagnetic compatibility (Article 3 (1) b))

(4) effiziente Nutzung Frequenzspektrum (Artikel 3 (2)) / effective use of spectrum (Article 3 (2))

(5) Modul A, interne Fertigungskontrolle / Module A, internal control of production

(6) Nur für CPG1500-***-*****-Z / For CPG1500-***-*****-Z only

(7) EU-Baumusterprüfbescheinigung BVS 16 ATEX E 043 X von DEKRA EXAM GmbH, D-44809 Bochum (Reg.-Nr. 0158).
EU type-examination certificate BVS 16 ATEX E 043 X of DEKRA EXAM GmbH, D-44809 Bochum (Reg. no. 0158)

Unterszeichnet für und im Namen von / Signed for and on behalf of

WIKAL Alexander Wiegand SE & Co. KG

Klingenberg, 2017-07-06

Alfred Häfner, Vice President
Calibration Technology

Harald Hartl, Manager Quality Assurance
Calibration Technology

WIKAL Alexander Wiegand SE & Co. KG
Alexander-Wiegand-Straße 30
63911 Klingenberg
Germany

Tel. +49 9372 132-0
Fax +49 9372 132-406
E-Mail info@wika.de
www.wika.de

Kommanditgesellschaft: Sitz Klingenberg –
Amtsgericht Aschaffenburg HRA 1819
Komplementärin: WIKAL Verwaltungs SE & Co. KG –
Sitz Klingenberg – Amtsgericht Aschaffenburg
HRA 4655

Komplementärin:
WIKAL International SE - Sitz Klingenberg -
Amtsgericht Aschaffenburg HRB 10505
Vorstand: Alexander Wiegand
Vorsitzender des Aufsichtsrats: Dr. Max Egli

14161966.05 07/2018 EN/DE

Inhalt

1. Allgemeines	55
2. Kurzübersicht	56
2.1 Überblick	56
2.2 Beschreibung	56
2.3 Lieferumfang	56
2.4 Produktpass	57
3. Sicherheit	59
3.1 Symbolerklärung	59
3.2 Bestimmungsgemäße Verwendung	59
3.3 Fehlgebrauch	60
3.4 Personalqualifikation	60
3.5 Beschilderung, Sicherheitskennzeichnungen	61
3.6 Ex-Kennzeichnung	62
3.6.1 Besondere Bedingungen für die Verwendung	63
3.6.2 Zugelassene Batterien	63
3.6.3 Potentialausgleich	64
4. Aufbau und Funktion	64
4.1 Frontfolie	64
4.2 Integrierter Datenlogger	67
4.3 Spannungsversorgung	67
4.4 WIKA-Wireless	67
4.5 Anschlüsse	68
4.6 Gummischutzkappe für Gehäuse	68
5. Transport, Verpackung und Lagerung	69
5.1 Transport	69
5.2 Verpackung und Lagerung	69
6. Inbetriebnahme, Betrieb	70
6.1 Mechanische Montage	70
6.2 Elektrische Montage	71
6.3 Normalbetrieb	71
6.4 Menüfunktionen	72
6.4.1 Druckeinheiten	76
6.4.2 Automatische Abschaltung	76
6.4.3 Batteriespannung anzeigen	76
6.4.4 Anzeige der aktuellen Temperatur	76
6.4.5 Dämpfung einstellen	76
6.4.6 Abtastrate konfigurieren	77
6.4.7 TARE (Tara einstellen)	77

6.4.8 Funktionssperre77
6.4.9 Justage78
6.5 Kommunikation mit der Kalibriersoftware WIKA-Cal78
6.5.1 WIKA-Wireless im CPG1500 aktivieren78
6.5.2 WIKA-Cal-Konfiguration (auch mit der Demoversion möglich).79
6.5.3 WIKA-Cal Log-Template81
6.5.4 App „myWIKA device“82
7. Störungen	83
8. Wartung, Reinigung und Rekalibrierung	84
8.1 Wartung84
8.2 Batteriewechsel85
8.3 Reinigung86
8.4 Rekalibrierung86
9. Demontage, Rücksendung und Entsorgung	87
9.1 Demontage87
9.2 Rücksendung88
9.3 Entsorgung88
10. Technische Daten	89
10.1 Sensorik.89
10.2 Grundgerät.91
10.3 WIKA-Wireless92
10.4 Ex-Zulassungen94
10.5 Zertifikate/Zeugnisse95
10.6 Abmessungen in mm (in)96
10.6.1 CPG1500 ohne Gummischutzkappe.96
10.6.2 CPG1500 mit Gummischutzkappe97
10.7 Gewindeanschlüsse.97
11. Zubehör	100
Anlage: EU-Konformitätserklärung	102

Konformitätserklärungen finden Sie online unter www.wika.de.

1. Allgemeines

- Das in der Betriebsanleitung beschriebene Präzisions-Digitalmanometer Typ CPG1500 wird nach dem aktuellen Stand der Technik gefertigt. Alle Komponenten unterliegen während der Fertigung strengen Qualitäts- und Umweltkriterien. Unsere Managementsysteme sind nach ISO 9001 und ISO 14001 zertifiziert.
- Diese Betriebsanleitung gibt wichtige Hinweise zum Umgang mit dem Gerät. Voraussetzung für sicheres Arbeiten ist die Einhaltung aller angegebenen Sicherheitshinweise und Handlungsanweisungen.
- Die für den Einsatzbereich des Gerätes geltenden örtlichen Unfallverhütungsvorschriften und allgemeinen Sicherheitsbestimmungen einhalten.
- Die Betriebsanleitung ist Produktbestandteil und muss in unmittelbarer Nähe des Gerätes für das Fachpersonal jederzeit zugänglich aufbewahrt werden. Betriebsanleitung an nachfolgende Benutzer oder Besitzer des Gerätes weitergeben.
- Das Fachpersonal muss die Betriebsanleitung vor Beginn aller Arbeiten sorgfältig durchgelesen und verstanden haben.
- Es gelten die allgemeinen Geschäftsbedingungen in den Verkaufsunterlagen.
- Technische Änderungen vorbehalten.
- Werkskalibrierungen / DKD/DAkkS-Kalibrierungen erfolgen nach internationalen Normen.

■ Weitere Informationen:

WIKA Alexander Wiegand SE & Co. KG

- Internet-Adresse: www.wika.de / www.wika.com
- Zugehöriges Datenblatt: CT 10.51
- Anwendungsberater: Tel.: +49 9372 132-0
Fax: +49 9372 132-406
info@wika.de

Mensor LP

- Internet-Adresse: www.mensor.com
- Zugehöriges Datenblatt: CT 10.51
- Anwendungsberater: Tel: +1-512-396-4200
Fax: +1-512-396-1820
sales@mensor.com

2. Kurzübersicht

2. Kurzübersicht

2.1 Überblick



- ① Anzeige
- ② Prozessanschluss

2.2 Beschreibung

Das Präzisions-Digitalmanometer Typ CPG1500 vereint die hohe Genauigkeit der Digitaltechnik mit dem Komfort und der einfachen Handhabung eines analogen Prüfmanometers. Mit einer Genauigkeit von $\pm 0,1$ % FS kann das CPG1500 als Kalibriergerät verwendet werden sowie für jede Anwendung, bei der eine hochgenaue Druckmessung erforderlich ist. Viele benutzerdefinierbare Funktionen wurden in das CPG1500 integriert (z. B. Loggen, Abtastrate, Tara, Dämpfung, automatische Abschaltung und Min-Max-Messung).

Sobald das Präzisions-Digitalmanometer konfiguriert ist, können die Einstellungen mit einem Passwort gesichert werden, um unbefugte Veränderungen der Konfiguration zu verhindern. Die Passwortsicherung erfolgt über die Kalibriersoftware WIKA-Cal.

2.3 Lieferumfang

- Präzisions-Digitalmanometer Typ CPG1500
- Betriebsanleitung
- Kalibrierzertifikat 3.1 nach DIN EN 10204
- 3 x 1,5 V AA-Alkalibatterien

Lieferumfang mit dem Lieferschein abgleichen.

2. Kurzübersicht



Herstellerbedingte Farbnuancen des Metallgehäuses führen nicht zu einer Qualitätsbeeinträchtigung.

2.4 Produktpass

Der Produktpass kann auf der Produktseite oder direkt unter der dazugehörigen Web-Applikation aufgerufen werden.

DE



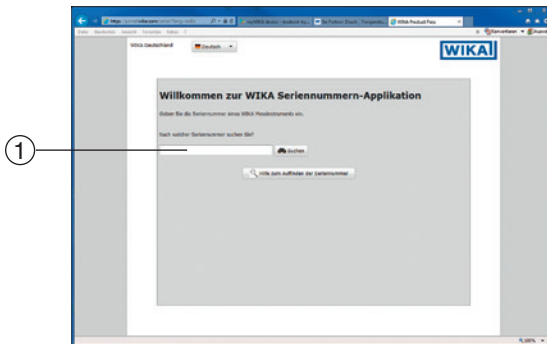
[Web-Applikation](#)



[Produktseite](#)

WIKA - Intelligente Seriennummer

Die WIK A - Intelligente Seriennummer und die dazugehörigen Web-Applikation ist das zentrale Tool, in dem alle notwendigen Informationen zu dem speziellen Gerät zu finden sind.

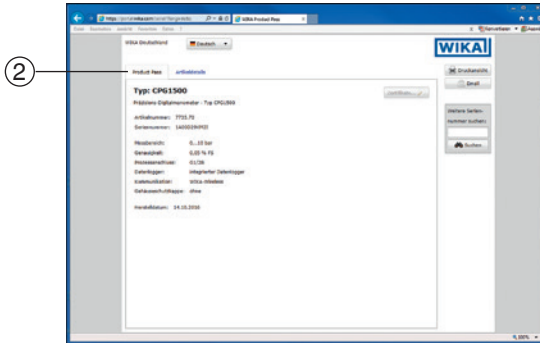


Nach Eingabe ① der intelligenten Seriennummer in der Web-Applikation erscheinen alle gerätespezifischen Details zu der gefertigten Ausführung.

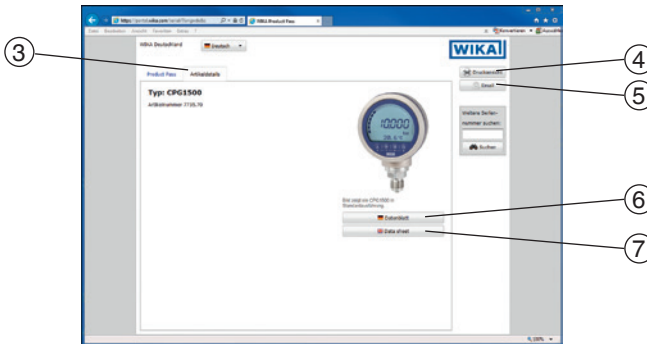
2. Kurzübersicht

Unter ② „Product Pass“ sind die wichtigsten Randinformationen wie Messbereich, Genauigkeit, Prozessanschluss, Herstellungsdatum usw. zum Gerät abrufbar. Ebenso können an dieser Stelle direkt (Kalibrier-) Zertifikate heruntergeladen werden.

DE



Unter ③ „ArtikelDetails“ sind weiterführende Artikeldetails aufgelistet, sowie Dokumentationsunterlagen wie z. B. das Datenblatt ⑥ und aktuelle Betriebsanleitung ⑦.



Aus der Ansicht heraus kann direkt über ④ **[Druckansicht]** die benötigte Information ausgedruckt werden. Weiterhin öffnet sich nach Klick auf ⑤ **[E-Mail]** eine Email, die bereits die intelligente Seriennummer des aktuell aufgerufenen Gerätes beinhaltet und an einen beliebigen Empfänger, aber auch z.B. an einen entsprechenden WIKA Kontakt gesendet werden kann, um beispielsweise das gleiche Produkt noch einmal nachzubestellen.

3. Sicherheit

3.1 Symbolerklärung



WARNUNG!

... weist auf eine möglicherweise gefährliche Situation hin, die zum Tod oder zu schweren Verletzungen führen kann, wenn sie nicht gemieden wird.



VORSICHT!

... weist auf eine möglicherweise gefährliche Situation hin, die zu geringfügigen oder leichten Verletzungen bzw. Sach- und Umweltschäden führen kann, wenn sie nicht gemieden wird.



GEFAHR!

... weist auf eine möglicherweise gefährliche Situation im explosionsgefährdeten Bereich hin, die zum Tod oder zu schweren Verletzungen führen kann, wenn sie nicht gemieden wird.



Information

... hebt nützliche Tipps und Empfehlungen sowie Informationen für einen effizienten und störungsfreien Betrieb hervor.

3.2 Bestimmungsgemäße Verwendung

Dieses Präzisions-Digitalmanometer CPG1500 kann als Kalibriergerät sowie für jede Anwendung, bei der eine hochgenaue Druckmessung erforderlich ist, verwendet werden.

Das Gerät ist ausschließlich für den hier beschriebenen bestimmungsgemäßen Verwendungszweck konzipiert und konstruiert und darf nur dementsprechend verwendet werden.

Die technischen Spezifikationen in dieser Betriebsanleitung sind einzuhalten. Eine unsachgemäße Handhabung oder ein Betreiben des Gerätes außerhalb der technischen Spezifikationen macht die sofortige Stilllegung und Überprüfung durch einen autorisierten WIKA-Service Mitarbeiter erforderlich.

Elektronische Präzisionsmessgeräte mit erforderlicher Sorgfalt behandeln (vor Nässe, Stößen, starken Magnetfeldern, statischer Elektrizität und extremen Temperaturen schützen, keine Gegenstände in das Gerät bzw. Öffnungen einführen).

Ansprüche jeglicher Art aufgrund von nicht bestimmungsgemäßer Verwendung sind ausgeschlossen.

3. Sicherheit

3.3 Fehlgebrauch



WARNUNG!

Veränderungen am Gerät

Veränderungen am Gerät führen zum Erlöschen sämtlicher Zulassungen!

- ▶ Eigenmächtige Umbauten am Gerät unterlassen.
- ▶ Das Gerät nur für den hier beschriebenen Einsatz verwenden.

DE



WARNUNG!

Verletzungen durch Fehlgebrauch

Fehlgebrauch des Gerätes kann zu gefährlichen Situationen und Verletzungen führen.

- ▶ Eigenmächtige Umbauten am Gerät unterlassen.
- ▶ Gerät nicht für abrasive und viskose Messstoffe verwenden.
- ▶ Wird das CPG1500 bei Applikationen mit Druckmedium Öl verwendet, so ist ein anschließender Einsatz bei Brennstoffen oder Gasen auszuschließen, da dies zu gefährlichen Explosionen und Gefahr für Mensch und Maschine führen kann.

Jede über die bestimmungsgemäße Verwendung hinausgehende oder andersartige Benutzung gilt als Fehlgebrauch.

3.4 Personalqualifikation



WARNUNG!

Verletzungsgefahr bei unzureichender Qualifikation

Unsachgemäßer Umgang kann zu erheblichen Personen- und Sachschäden führen.

- ▶ Die in dieser Betriebsanleitung beschriebenen Tätigkeiten nur durch Fachpersonal nachfolgend beschriebener Qualifikation durchführen lassen.

Fachpersonal

Das vom Betreiber autorisierte Fachpersonal ist aufgrund seiner fachlichen Ausbildung, seiner Kenntnisse der Mess- und Regelungstechnik und seiner Erfahrungen sowie Kenntnis der landesspezifischen Vorschriften, geltenden Normen und Richtlinien in der Lage, die beschriebenen Arbeiten auszuführen und mögliche Gefahren selbstständig zu erkennen.

Besondere Kenntnisse bei Arbeiten mit Geräten für explosionsgefährdete Bereiche:

Das Fachpersonal muss Kenntnisse haben über Zündschutzarten, Vorschriften und Verordnungen für Betriebsmittel in explosionsgefährdeten Bereichen.

3. Sicherheit

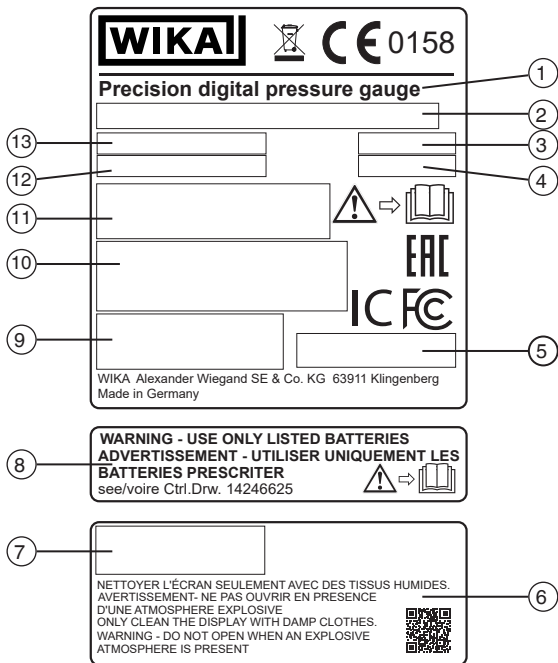
Spezielle Einsatzbedingungen verlangen weiteres entsprechendes Wissen, z. B. über aggressive Medien.

3.5 Beschilderung, Sicherheitskennzeichnungen

Typenschild

Das Typenschild befindet sich auf der Rückseite des CPG1500 auf dem Batteriefachdeckel.

DE



- ① Produktname
- ② Bestellcode
- ③ Genauigkeit
- ④ Herstellungsdatum
- ⑤ Funkzulassung
- ⑥ Hinweise zum Batterietausch
- ⑦ Seriennummer

3. Sicherheit

- ⑧ Informationen zu den Batterien
- ⑨ Zulassungsrelevante Daten EAC Ex
- ⑩ Zulassungsrelevante Daten CSA Ex
- ⑪ Zulassungsrelevante Daten ATEX
- ⑫ Seriennummer
- ⑬ Druckmessbereich

DE

Symbole



Vor Montage und Inbetriebnahme des Gerätes unbedingt die Betriebsanleitung lesen!



Nicht mit dem Hausmüll entsorgen. Für eine geordnete Entsorgung gemäß nationaler Vorgaben sorgen.

3.6 Ex-Kennzeichnung



GEFAHR!

Lebensgefahr durch Verlust des Explosionsschutzes

Die Nichtbeachtung dieser Inhalte und Anweisungen kann zum Verlust des Explosionsschutzes führen.

- ▶ Sicherheitshinweise in diesem Kapitel sowie weitere Explosionshinweise in dieser Betriebsanleitung beachten.
- ▶ Die Angaben der geltenden Baumusterprüfbescheinigung sowie die jeweiligen landesspezifischen Vorschriften zur Installation und Einsatz in explosionsgefährdeten Bereichen (z. B. IEC/EN 60079-14) einhalten.
- ▶ Das Präzisions-Digitalmanometer ist nicht für den Einsatz mit brennbaren Stoffen bestimmt und ist nur für die Installation an Standorten geeignet, die ausreichend gegen Eindringen von festen Fremdkörpern oder Wasser, die die Sicherheit beeinträchtigen, geschützt sind.
- ▶ Nur die aufgelisteten Batterien verwenden, siehe Kapitel 3.6.2 „Zugelassene Batterien“!
- ▶ Den Batteriewechsel nur außerhalb des explosionsgefährdeten Bereiches durchführen, siehe Kapitel 8.2 „Batteriewechsel“!
- ▶ Temperaturbereich: -10 ... +50 °C (14 ... 122 °F)
- ▶ Es ist ausschließlich die mitgelieferte Gummischutzkappe zu verwenden. Gummischutzkappen die nicht in explosionsgefährdeten Bereichen eingesetzt werden dürfen sind mit „No Ex“ auf der Rückseite gekennzeichnet.

3. Sicherheit

Überprüfen, ob die Klassifizierung für den Einsatzfall geeignet ist. Die jeweiligen nationalen Vorschriften und Bestimmungen beachten.

ATEX

IECEX

- II 1G Ex ia IIC T4 Ga
- II 1/2G Ex ia IIC T4 Ga/Gb
- II 2G Ex ia IIC T4 Gb
Ex ia IIC T4 Gc

DE

3.6.1 Besondere Bedingungen für die Verwendung

Für die Anwendung in Kategorie 1G (EPL Ga):

- Das Gehäuse besteht aus Aluminium. Das Gerät ist geschützt gegen mechanische Stöße zu installieren, um Schlag- und Reibfunken zu vermeiden.
- Das Gerät ist so zu installieren, dass prozessbedingte elektrostatische Aufladungen, z. B. durch vorbeiströmende Medien, ausgeschlossen werden.

Für die Anwendung in Kategorie 1/2G (EPL Ga/Gb):

Die Trennwand (Membran) zum medienberührten Bereich (Kategorie 1) weist funktionsbedingt eine Wandstärke $< 0,2$ mm auf. In der Verwendung ist sicherzustellen, dass eine Beeinträchtigung der Trennwand z. B. durch aggressive Medien oder durch mechanische Gefährdungen ausgeschlossen wird.

Das Gewinde des Prozessanschlusses und die Trennwand (Membrane des Sensors) sind aus CrNi-Stahl gefertigt und in eine Trennwand der Endanwendung gebaut, welche den Bereich, der EPL Ga erfordert, von dem weniger explosionsgefährdeten Bereich trennt.

Das Gewinde des Prozessanschlusses soll selbstdichtend sein, durch ein Dichtungsmaterial im Gewinde abgedichtet werden, oder durch eine Flachdichtung abgedichtet werden.

3.6.2 Zugelassene Batterien



GEFAHR!

Lebensgefahr durch Verlust des Explosionsschutzes

Die Nichtbeachtung dieser Inhalte und Anweisungen kann zum Verlust des Explosionsschutzes führen.

- ▶ Nur die aufgelisteten Batterien verwenden!
- ▶ Den Batteriewechsel nur außerhalb des explosionsgefährdeten Bereiches durchführen!

3. Sicherheit / 4. Aufbau und Funktion

Batterietyp	Hersteller	Batteriebezeichnung
4006	Rayovac	Rayovac Maximum Plus
MN1500	Duracell	Duracell Plus Power
MN1500	Duracell	Duracell Simply

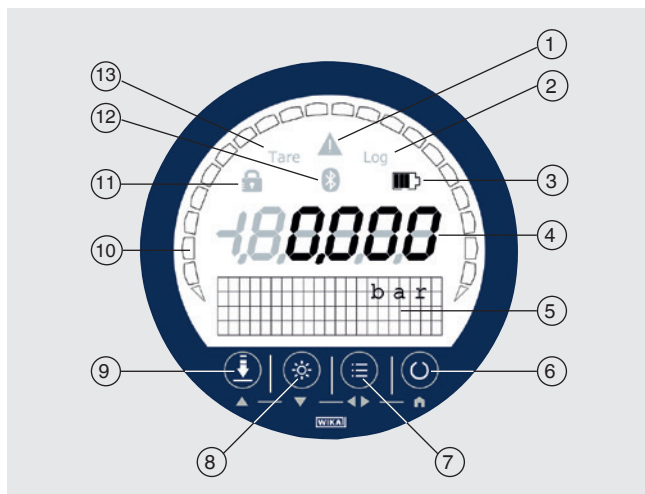
DE

3.6.3 Potentialausgleich

Das Gerät muss über den Prozessanschluss in den Potentialausgleich / die Erdung der Applikation einbezogen werden. Die Dichtung, z.B. ein NPT-Gewindeanschluss, muss leitfähig sein, um durch isolierte Montage verursachte Potentialunterschiede zu vermeiden.

4. Aufbau und Funktion

4.1 Frontfolie






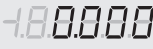






Pos.	Symbol	Symbol leuchtet auf bei:
①		<ul style="list-style-type: none"> ■ Über- oder Unterschreiten des Druckbereiches ■ Über- oder Unterschreiten des Temperaturbereiches ■ Loggerspeicher über 90 % belegt ■ Gerätefehler oder Batteriestatus < 10 %
②	Log	Aktive Loggerfunktion

14161966.05 07/2018 EN/DE

4. Aufbau und Funktion

DE

Pos.	Symbol	Symbol leuchtet auf bei:
③	Das Batteriesymbol leuchtet dauerhaft auf und ist abhängig vom aktuellen Batteriestatus.	
		Batteriestatus 100 % Rahmen und alle Segmente leuchten
		Batteriestatus 80 % Rahmen und ersten drei Segmente leuchten
		Batteriestatus 60 % Rahmen und ersten zwei Segmente leuchten
		Batteriestatus 40 % Rahmen und erstes Segment leuchten
		Batteriestatus 20 % Rahmen leuchtet dauerhaft ⇒ Neue Batterien einsetzen (siehe Kapitel 8.2 „Batteriewechsel“).
④		Druckanzeige Die 5 ½ stellige 7-Segmentanzeige zeigt immer den aktuellen Druckwert an. Ist der Druckwert nicht mehr aktuell, werden Striche angezeigt (im Low-Power-Mode über 10 s)
⑤		Matrixfeld dient als Menü- und Nebenanzeige Das Matrixfeld besteht aus 4 x 21 Zellen (Zeilen x Spalten) und dient als Menü -und Nebenanzeige.
⑩		Bargraph zeigt den aktuellen Druck grafisch an Der Bargraph besteht aus 20 Segmenten und zwei Spitzen am vorderen und hinteren Ende. Der Bargraph zeigt den aktuellen Druck proportional zum Messbereich an. Wird der Messbereich unterschritten leuchtet die vordere Spitze, beim Überschreiten die hintere Spitze, auf.
⑪		Wenn die Tasten [ZERO] oder [MENU] von WIKA-Cal gesperrt sind und manuell betätigt werden müssen. Die Passwortsicherung erfolgt über die Kalibriersoftware WIKA-Cal.
⑫		WIKA-Wireless (Nur bei Geräten mit Option WIKA-Wireless) ■ Symbol blinkt: WIKA-Wireless ist aktiv aber nicht verbunden ■ Symbol leuchtet dauerhaft: WIKA-Wireless ist aktiv und verbunden
⑬	Tare	Aktive TARA-Funktion

Weitere Definitionen






- „**XXX**“ Menü XXX wird aufgerufen
[XXX] Taste XXX drücken

4. Aufbau und Funktion

Funktionstasten

Das CPG1500 wird über 4 Funktionstasten gesteuert, wobei jede Taste eine Haupt- und eine Nebenfunktion hat. Generell gelten die auf den Tasten aufgedruckten Hauptfunktionen: „ZERO“, „LIGHT“, „MENU“, „ON/OFF“. Sobald die Taste **[MENU]** aktiviert wurde gelten die Nebenfunktionen. Diese sind von links nach rechts: Cursor hoch „UP / ▲“, Cursor runter „DOWN / ▼“, Cursor links/rechts „L / ◀“ oder „R / ▶“ und „HOME“.

DE

Pos.	Taste	
6		Ein-/Aus-Taste Die Hauptfunktion ist das Ein- und Ausschalten des CPG1500. Wenn das Digitalmanometer bereits im Menü-Modus ist, wird durch ein kurzes Betätigen der [Ein-/Aus] -Taste „HOME“ aufgerufen. Ein langes Drücken (mindestens 3 Sekunden) schaltet das CPG1500 aus.
7		MENU-Taste Aufruf des Menüs Durch Aktivieren der Taste [MENU] wird der Menü-Modus aufgerufen. Wenn das CPG1500 bereits im Menü-Modus ist wird je nach Anzeige „L“ oder „R“ ausgeführt. Wird die Taste länger gedrückt gehalten, dreht sich der Cursor nach 2 Sekunden um (rechts ◀ oder ▶ links). Eingaben werden mit der Taste [MENU] bestätigt.
8		LIGHT-Taste Hintergrundbeleuchtung ein- und ausschalten Beim Aktivieren der [LIGHT] -Taste (Kurzdruk oder Langdruck) wird das Licht angeschaltet. Die Dauer des Lichts ist abhängig von „LIGHT-OFF“ in „SETTINGS“. <ul style="list-style-type: none">■ 1 x drücken der [LIGHT]-Taste (Licht = An)■ 2 x drücken der [LIGHT]-Taste (Licht = Aus) Ist das CPG1500 im Menü-Modus, kann mit kurzem Betätigen der [LIGHT] -Taste der Cursor nach unten bewegt werden.
9		ZERO-Taste Aktueller Druckwert wird auf „0“ (rel.) oder Referenzdruck (abs.) gesetzt. Beim Aktivieren der [ZERO] -Taste wird der aktuelle Druckwert auf „0“ gesetzt. Maximal 5 % der Messspanne können korrigiert werden. Ist das CPG1500 im Menü-Modus, kann mit kurzem Betätigen der [ZERO] -Taste der Cursor nach oben bewegt werden.
		Bei Relativdruck-Messgeräten wird im Bereich des Nullpunkts $\pm 5\%$ der Messwert auf „0“ gesetzt. Bei Absolutdruck-Sensoren erscheint beim Betätigen der [ZERO] -Taste ein Eingabefenster. Hier muss der aktuelle Referenzdruck eingegeben werden. Der Referenzdruck muss ebenfalls $\pm 5\%$ um den ursprünglichen Absolutdruck des Gerätes liegen, dann wird der Messwert auf den eingegebenen Referenzdruck gesetzt.

14161966.05 07/2018 EN/DE

4. Aufbau und Funktion

4.2 Integrierter Datenlogger

Das CPG1500 verfügt über einen integrierten Datenlogger.

Dieser Datenlogger kann unter **[MENU]** / **[Logger]** eingeschaltet bzw. eingestellt werden.

Ist die Zeitspanne der Lograte länger als die Messrate eingestellt, nimmt der CPG1500 anstatt des aktuellen Druckwertes den gemittelten Druckwert auf.

Beispiel:

Der Mittelwert über 60 Sekunden soll gemessen werden.

- ▶ Einstellung Lograte: 60 s
- ▶ Messrate: $\geq 50/s$
 - ⇒ Es wird alle 60 Sekunden **1x P_mittel, 1x P_max, 1x P_min** und **1+Temp.** aufgenommen

4.3 Spannungsversorgung

Als Spannungsversorgung des Gerätes dienen drei AA-Alkalibatterien. Diese sind im Lieferumfang enthalten.

Die Batterielebensdauer beträgt bis zu 2.000 Stunden bei Dauerbetrieb (ohne Hintergrundbeleuchtung und WIKA-Wireless nicht aktiv).

In der rechten oberen Hälfte des Displays befindet sich ein Symbol für die Batteriekapazität. Hinweise zur Batterie (siehe Kapitel 8.2 „Batteriewechsel“).

Die Batterieanzeige leuchtet auf

Zur Vermeidung einer falschen Anzeige die Batterie ersetzen.

Hinweise zur Batterie (siehe Kapitel 8.2 „Batteriewechsel“).

4.4 WIKA-Wireless

Um die kabellose Datenübertragung zu starten müssen Sie unter **„Menü / Grundeinstellungen / Wireless“** auf **„Ein“** stellen. Ist dies erfolgt blinkt im Display das Wireless-Symbol. Sobald das CPG1500 mit einem Rechner über diese Wireless-Schnittstelle verbunden ist leuchtet das Symbol dauerhaft.

Unter **„Menü / Grundeinstellungen / Wireless / Wireless“** kann zwischen der Kommunikationsart WIKA-Wireless Classic oder WIKA-Wireless Classic mit WIKA-Wireless Low Energy (= LE) unterschieden werden.

WIKA-Wireless Low Energy (= LE) wird benötigt um über die Smartphone App myWIKAdevice mit einem IOS-fähigen Mobiltelefon zu kommunizieren.

Für eine Verbindung mit PC und/oder einem Android-fähigen Gerät wird empfohlen WIKA-Wireless Classic zu wählen.

4. Aufbau und Funktion



Um eine reibungslose Kommunikation mit dem Rechner zu gewährleisten, eignet sich hier der WIKA-Wireless USB-Stick. Dieser ist optional als Zubehör verfügbar.

DE

4.5 Anschlüsse

Das CPG1500 ist mit allen in der Industrie üblichen Gewindeanschlüssen erhältlich, als Standard ist G ½ B definiert.

Beim Anschrauben des NPT-Gewindes des CPG1500 an einen Adapter oder einen Druckanschluss ist zusätzlich die Verwendung eines Dichtmittels notwendig, z. B. PTFE-Band zwischen den Gewinden. Der Schlauch, die Leitungen und Verschraubungen usw. müssen immer mindestens für den Arbeitsdruck zugelassen sein, der dem Druck des Geräts entspricht. Außerdem darf bei Durchführung der Kalibrierung keine Leckstelle vorhanden sein, gegebenenfalls mit PTFE-Band abdichten.

4.6 Gummischutzkappe für Gehäuse

Optional kann das CPG1500 mit einer stoßfesten Gummischutzkappe ausgestattet werden.

5. Transport, Verpackung und Lagerung

5.1 Transport

Das Präzisions-Digitalmanometer Typ CPG1500 auf eventuell vorhandene Transportschäden untersuchen.

Offensichtliche Schäden unverzüglich mitteilen.



VORSICHT!

Beschädigungen durch unsachgemäßen Transport

Bei unsachgemäßem Transport können Sachschäden in erheblicher Höhe entstehen.

- ▶ Beim Abladen der Packstücke bei Anlieferung sowie innerbetrieblichem Transport vorsichtig vorgehen und die Symbole auf der Verpackung beachten.
- ▶ Bei innerbetrieblichem Transport die Hinweise unter Kapitel 5.2 „Verpackung und Lagerung“ beachten.

Wird das Gerät von einer kalten in eine warme Umgebung transportiert, so kann durch Kondensatbildung eine Störung der Gerätefunktion eintreten. Vor einer erneuten Inbetriebnahme die Angleichung der Gerätetemperatur an die Raumtemperatur abwarten.

5.2 Verpackung und Lagerung

Verpackung erst unmittelbar vor der Montage entfernen.

Die Verpackung aufbewahren, denn diese bietet bei einem Transport einen optimalen Schutz (z. B. wechselnder Einbauort, Reparatursendung).

Zulässige Bedingungen am Lagerort:

- Lagertemperatur: -20 ... +70 °C (-4 ... +158 °F)
- Feuchtigkeit: 0 ... 90 % relative Feuchte (keine Betauung)

Folgende Einflüsse vermeiden:

- Direktes Sonnenlicht oder Nähe zu heißen Gegenständen
- Mechanische Vibration, mechanischer Schock (hartes Aufstellen)
- Ruß, Dampf, Staub und korrosive Gase

Das Gerät in der Originalverpackung an einem Ort lagern, der die oben gelisteten Bedingungen erfüllt. Wenn die Originalverpackung nicht vorhanden ist, dann das Gerät wie folgt verpacken und lagern:

1. Batterien aus dem Gerät entfernen und getrennt aufbewahren, siehe Kapitel 8.2 „Batteriewechsel“.
2. Das Gerät in eine antistatische Plastikfolie einhüllen.
3. Das Gerät mit dem Dämmmaterial in der Verpackung platzieren.
4. Bei längerer Einlagerung (mehr als 30 Tage) einen Beutel mit Trocknungsmittel der Verpackung beilegen.

6. Inbetriebnahme, Betrieb

6. Inbetriebnahme, Betrieb

Personal: Fachpersonal

Werkzeuge: Gabelschlüssel SW 27 oder Drehmomentschlüssel

Nur Originalteile verwenden (siehe Kapitel 11 „Zubehör“).

DE



GEFAHR!

Lebensgefahr durch Explosion!

Durch Arbeiten in entzündlichen Atmosphären besteht Explosionsgefahr, die zum Tod führen kann.

- ▶ Prüf- und Kalibrieraufbauten nur im drucklosen Zustand (Atmosphäre) aufbauen.



WARNUNG!

Körperverletzungen, Sach- und Umweltschäden durch gefährliche Messstoffe

Bei Kontakt mit gefährlichen Messstoffen (z. B. Sauerstoff, Acetylen, brennbaren oder giftigen Stoffen), gesundheitsgefährdenden Messstoffen (z. B. ätzend, giftig, krebserregend, radioaktiv) sowie bei Kälteanlagen, Kompressoren besteht die Gefahr von Körperverletzungen, Sach- und Umweltschäden.

Am Gerät können im Fehlerfall aggressive Medien mit extremer Temperatur und unter hohem Druck oder Vakuum anliegen.

- ▶ Bei diesen Messstoffen müssen über die gesamten allgemeinen Regeln hinaus die einschlägigen Vorschriften beachtet werden.

6.1 Mechanische Montage



VORSICHT!

Beschädigung des Gerätes

Um eine mögliche Schädigung des CPG1500 oder der Testeinrichtung zu vermeiden, folgendes beachten:

- ▶ Auf saubere und einwandfreie Gewindeanschlüsse achten.
- ▶ Beim Anschrauben des Gewindes des CPG1500 an einen Adapter oder einen Druckanschluss ist zusätzlich die Verwendung eines Dichtmittels notwendig, z. B. einem PTFE-Band zwischen den Gewinden.
- ▶ Die Abdichtung muss bei einem NPT-Anschluss direkt über das Gewinde mit einem PTFE-Band erfolgen und nicht über die Gewindehalterung am CPG1500.
- ▶ Das maximal zulässige Drehmoment des Gewindes beträgt 13,5 Nm = 10 ftlbs. Dieses zulässige Drehmoment darf **NIE** überschritten werden.

- ▶ Das Gerät so installieren, dass prozessbedingte elektrostatische Aufladungen, z. B. durch vorbeiströmende Medien, ausgeschlossen werden.
- ▶ Das Gehäuse ist um 330° drehbar. Beim Drehen das Display nicht berühren.
- ▶ Wenn die Meldung „**OL**“ angezeigt wird, ist der Messbereich überschritten und die Druckquelle muss sofort vom CPG1500 entfernt werden um einen Schaden am internen Sensor zu vermeiden.

1. Dichtfläche abdichten.
2. Präzisions-Digitalmanometer handfest in Montagestelle einschrauben.
 - ▶ Beim Einschrauben die Gewindegänge nicht verkanten.
3. Mit dem Drehmomentschlüssel über die Schlüssel­fläche anziehen.
 - ▶ Das maximale Drehmoment des CPG1500 beträgt 13,5 Nm = 10 ftlbs.

6.2 Elektrische Montage



GEFAHR!

Lebensgefahr durch Explosion!

Durch Arbeiten in entzündlichen Atmosphären besteht Explosionsgefahr, die zum Tod führen kann.

- ▶ Prüf- und Kalibrier­aufbauten nur im drucklosen Zustand (Atmosphäre) aufbauen.
- ▶ Keine Akkus verwenden!
- ▶ Nur die aufgelisteten Batterien verwenden, siehe Kapitel 3.6.2 „Zugelassene Batterien“!
- ▶ Den Batteriewechsel nur außerhalb des explosionsgefährdeten Bereiches durchführen, siehe Kapitel 8.2 „Batteriewechsel“!
- ▶ Immer alle drei Batterien zusammen austauschen!

6.3 Normalbetrieb

Die [**Ein/Aus**]-Taste lange drücken, um das Präzisions-Digitalmanometer zu aktivieren. Die Taste erneut drücken, um es auszuschalten.

Nach dem Einschalten wird für ca. 3 Sekunde der Startbildschirm mit Druckbereich und Firmwareversion angezeigt.

Zurückstellung der Anzeige auf 0: Die [**ZERO**]-Taste drücken.

Das CPG1500 ist vor jedem Gebrauch mit der [**ZERO**]-Taste auf 0 zu stellen.

MAX/MIN: Das CPG1500 speichert den Minimal- und Maximaldruck im Speicher. Dieser Wert kann unter „**MENU / MESSMODUS / SPITZENWERTE**“ aktiviert werden und wird im Textfeld angezeigt.

6. Inbetriebnahme, Betrieb

6.4 Menüfunktionen

► Start mit der Taste **[MENU]**

Mit den Tasten (►) gelangt man in die einzelnen Menüebenen.

Mit den Tasten (▼ oder ▲) werden die Parameter bzw. die Menüebenen ausgewählt.

Menüebene 1	Menüebene 2	Menüebene 3
DE	Messmodus	
	Einheit	
		bar (Voreinstellung)
		mbar
		psi
		kg/cm ²
		Pa
		kPa
		hPa
		MPa
		mmH ₂ O
		mH ₂ O
		inH ₂ O
		inH ₂ O (4 °C)
		inH ₂ O (60 °F)
		inH ₂ O (20 °C)
		ftH ₂ O
		mmHg
		cmHg
		inHg
		inHg (0 °C)
		inHg (60 °F)
		kp/cm ²
		lbf/ft ²
		kN/m ²
		atm
		Torr
		micron
		m
		cm
		mm
	feet	
	inch	
	UserUnit 1	
	UserUnit 2	
	UserUnit 3	

6. Inbetriebnahme, Betrieb

DE

Menüebene 1	Menüebene 2	Menüebene 3
	Spitzenwerte	
		Aus (Voreinstellung)
		Ein
		zurücksetzen
	Temperatur	
		Aus (Voreinstellung)
		°C
		°F
		K
	Tara	
		Aus (Voreinstellung)
		Ein
		Offset (0.0000)
		[Limit: ±9.9999 {auflösungsabhängig}]
	Mittelwert	
		Aus (Voreinstellung)
		Ein
		Interval (10 s) [Limit: 300 s]
	Rate	
		Aus (Voreinstellung)
		/s
		/min
	Auflösung	
		4
		5 (Voreinstellung)
		5-1/2
	Dämpfung	
		Aus (Voreinstellung)
		niedrig
		mittel
		hoch
	Messrate	
		1/s
		3/s (Voreinstellung)
		10/s
		50/s [max. Geschwindigkeit]
		Logger Interval

6. Inbetriebnahme, Betrieb

DE

Menüebene 1	Menüebene 2	Menüebene 3
	Alarm	Aus (Voreinstellung)
		Ein
		unten (1.0000)
		[Limit: \pm Messbereichsgrenze - 10 %]
		oben (10.000)
		[Limit: \pm Messbereichsgrenze + 10 %]
	Füllstand	Dichte 1,0 [kg/dm ³]
		kg/dm³ (Voreinstellung)
		lb/ft ³
		kg/m ³
	Justage	Offset
		Spannefaktor
Logger		
	Start / Stop	Start / Stop
	Interval	10.0 s (Voreinstellung)
		[Limit: 0 ... 3.600 s]
		0 entspricht das Loggen mit Messrate.
	Dauer	Aus
		Ein
		Dauer (0000 h 00 min 01 s)
		[Limit: 9999 h 59 min 59 s]
	Startzeit	Aus
		Ein
		Startzeit (00 h 00 min)
		[Limit: 23 h 59 min]
	Letztes löschen	Nein (Voreinstellung)
		Ja
	Alles löschen	Nein (Voreinstellung)
		Ja
Voreinstellungen		
	Wireless	Aus (Voreinstellung)
		Ein

14161966.05 07/2018 EN/DE

6. Inbetriebnahme, Betrieb

DE

Menüebene 1	Menüebene 2	Menüebene 3
	Sprache	Englisch (Voreinstellung) Deutsch Spanisch Französisch Italienisch
	Ausschaltzeit	Aus 5 min 15 min (Voreinstellung) 30 min
	Licht aus	Aus (=Licht ist dauerhaft an) 10 s (Voreinstellung) 30 s 60 s 120 s
	Kontrast	20 % 30 % 40 % 50 % (Voreinstellung) 60 % 70 % 80 %
	Uhrzeit	hh : mm : ss [AM / PM]
	Zeitformat	24 h (Voreinstellung) 12 h [AM / PM]
	Datum	DD / MM / JJJJ
	Datumformat	dd.mm.yyyy (Voreinstellung) dd/mm/yyyy mm/dd/yyyy yyyy-mm-dd
	Werksreset	Nein (Voreinstellung) Ja

6. Inbetriebnahme, Betrieb

Menüebene 1	Menüebene 2	Menüebene 3
DE	Info	
	S# (z.B.: 1A00023458)	= Seriennummer
	T# (z.B.: ABCDEFG12345)	= Tagnummer
	MB: (z.B.: 0...100 bar)	= Messbereich
	HerstDat. (z.B.: 10/05/2016)	= Herstelldatum
	KalibDat. (z.B.: 10/05/2016)	= Kalibrierdatum
	Firmware	
	Speicherstatus	In %
	Betr-Std	[d h]
	Ü-Druck	[bar]
Ü-Temp	[°C]	

6.4.1 Druckeinheiten

Das CPG1500 ist ab Werk auf die Druckeinheit „**bar**“ oder „**psi**“ voreingestellt. Über das Menü kann das Gerät auf 31 vorgegebene Druck- und Füllstandseinheiten sowie 3 benutzerspezifische Einheiten umgestellt werden.

Eine Liste der verfügbaren technischen Maßeinheiten siehe Kapitel 10 „Technische Daten“.

6.4.2 Automatische Abschaltung

Die Zeitdauer bis zur automatischen Abschaltung kann in vier fest vorgegebenen Stufen ausgewählt werden. Dabei lassen sich „**5 min**“, „**15 min**“, „**30 min**“ oder „**Aus**“ einstellen. Bei „**Aus**“ bleibt das Gerät solange aktiv, bis es durch die **[EIN-/AUS]**-Taste abgeschaltet wird oder die Batterie leer ist.

Ist eine Zeit eingestellt, läuft das CPG nach der letzten Betätigung für diese Zeit weiter und schaltet sich danach automatisch ab. Auch wird die Zeit während einer Wireless-Übertragung oder durch einen Log angehalten und nach Beendigung neu gestartet.

6.4.3 Batteriespannung anzeigen

Es wird die aktuelle Batteriespannung sowie die verbleibende Nutzungsdauer der Batterie über das Batterie-Symbol angezeigt.

6.4.4 Anzeige der aktuellen Temperatur

Das CPG1500 ist temperaturkompensiert. Diese Option zeigt die vom internen Sensor gemessene Temperatur an. Der Wert kann mit den Pfeiltasten in Grad Fahrenheit oder Grad Celsius angezeigt werden.

6.4.5 Dämpfung einstellen

Bei der Einstellung „**Dämpfung**“ kann zwischen drei verschiedenen, fest vorgegebenen Filtereinstellungen gewählt werden. Bei „**Aus**“ ist das Filter inaktiv und nicht wirksam. Dabei wird nur die Anzeige auf dem CPG1500 gedämpft.

6. Inbetriebnahme, Betrieb

Der Druckwert, der über die Wireless-Übertragung ausgelesen wird oder die Werte die in den Logger geschrieben werden, werden nicht gedämpft.

6.4.6 Abtastrate konfigurieren

Die Abtastrate legt fest, wie oft der Druck gemessen wird. Optionen sind 1, 3, 10, 50 Messungen pro Sekunde oder Logger-Intervall verfügbar. Die kürzeste Reaktionszeit ist 50 Messungen pro Sekunde.

Die Anzeigerate ist fix auf 3 x Display-Aktualisierung/s festgesetzt.

6.4.7 TARE (Tara einstellen)

Mit dieser Option kann ein konstanter Offsetwert eingestellt werden. Ist TARE beispielsweise auf 30 bar eingestellt und wird ein Druck von 37 bar gemessen, wird als Messwert 7 bar angezeigt. Ein Druck von 27 bar würde dann als -3 bar angezeigt werden. Der Wert TARE wird manuell mit den Tasten ▲ und ▼ eingestellt und hängt von den technischen Maßeinheiten und der für die Anzeige ausgewählten Auflösung ab. Der Wert TARE kann auf den maximalen Anzeigebereich eingestellt werden.

Die Balkengrafik zeigt immer den tatsächlichen Druck in Abhängigkeit vom gesamten Messbereich, unabhängig von der Tara-Einstellung an. Dies erfolgt aus Sicherheitsgründen, damit auch bei der Anzeige „0“ dargestellt wird, dass der betreffende Druck am Manometer anliegt.

Der Offsetwert unter Tara ist im Gegensatz zur Funktionsweise vom Zero-Button keine Verschiebung der Kennlinie. Der eingestellte Offsetwert wird beim Ändern der Druckeinstellung automatisch passend mit umgerechnet.

6.4.8 Funktionssperre

Der Zugriff auf die einstellbaren Parameter kann nach Einstellung unterteilt deaktiviert werden, um Änderungen der Konfiguration durch Unbefugte zu verhindern.

Sperre Zero-Taste

Benutzer kann kein „ZERO“ per Tastatur mehr ausführen, über die Wireless-Übertragung ist es weiterhin möglich.

Sperre Menü-Taste

Zugriff auf das „Menü“ ist gesperrt. Wenn „ZERO“ nicht gesperrt ist, kann dieses weiterhin ausgeführt werden. Per Wireless-Übertragung können weiterhin alle Einstellungen gelesen oder geschrieben werden.

Geräte-Schreibschutz

Wenn diese Sperre gesetzt ist, kann sowohl über das lokale Display-Menü als auch über die Wireless-Übertragung nur lesend auf die Einstellungen zugegriffen werden, ein Verändern der Einstellungen ist dann nicht möglich.

Ist die „ZERO“-Sperre nicht gesetzt, ist die Funktion „ZERO“ weiterhin möglich.

DE

6. Inbetriebnahme, Betrieb

Die einzelnen Sperren können nur über Kalibriersoftware WIKA-Cal per Wireless-Übertragung gesetzt werden. Hierzu ist die Eingabe der 4-stelligen PIN notwendig. Diese ist im Auslieferungszustand „0000“ und kann geändert werden.

6.4.9 Justage

Unter Justage kann die Kennlinie durch einen Offsetwert oder einen Faktor bezogen auf die Spanne verschoben werden.

Die Voreinstellungen sind:

Offset: 0.0000

Span.Faktor: 1.00000

Offset ist auf $\pm 5\%$ und der Span.Faktor auf $\pm 10\%$ begrenzt.

6.5 Kommunikation mit der Kalibriersoftware WIKA-Cal

Sobald eine Verbindung über WIKA-Wireless steht kann mit der Kalibriersoftware WIKA-Cal kommuniziert werden. Es können Live-Messungen oder auch bereits durchgeführte Messungen problemlos übertragen und ausgewertet werden.

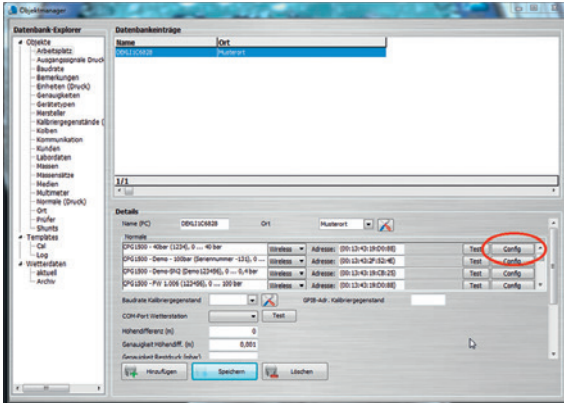
6.5.1 WIKA-Wireless im CPG1500 aktivieren

- Menü-Taste drücken.
- Die Taste \blacktriangleright oder \blacktriangleleft solange drücken bis im Matrixfeld die Voreinstellung „Wireless“ erscheint.
- Mit der Taste \blacktriangledown oder \blacktriangle Wireless einschalten.
 - \Rightarrow Das WIKA-Wireless Symbol im Display blinkt, wenn Wireless eingeschaltet ist
 - \Rightarrow Das WIKA-Wireless Symbol leuchtet dauerhaft, wenn eine Verbindung hergestellt ist.



6. Inbetriebnahme, Betrieb

6.5.2 WIKA-Cal-Konfiguration (auch mit der Demoversion möglich)



DE

1. In der WIKA-Cal im „**Objektmanager / Normale (Druck)**“ CPG1500 als Normal festlegen und dem Arbeitsplatz zuordnen.
2. Menüpunkt „**Objektmanager / Arbeitsplatz**“ öffnen.
3. Die Funktion Wireless aufrufen.
⇒ Der Wireless-Monitor öffnet sich.
4. In das Adressfeld klicken.
⇒ Die Adresse wird automatisch eingeblendet. Wenn notwendig diese korrigieren.
⇒ Die Kommunikation ist korrekt, wenn nach dem Drücken der Schaltfläche **[Test]** der am Gerät angezeigte Druckwert angezeigt wird.
⇒ Ist die Funktion „WIKA-Wireless“ im CPG1500 nicht aktiviert, erscheint eine Fehlermeldung. „WIKA-Wireless“ im CPG1500 aktivieren, siehe Kapitel 6.5.1 „WIKA-Wireless im CPG1500 aktivieren“
5. Über **[Config]** im Dialog-Fenster die Konfiguration des Gerätes aufrufen.

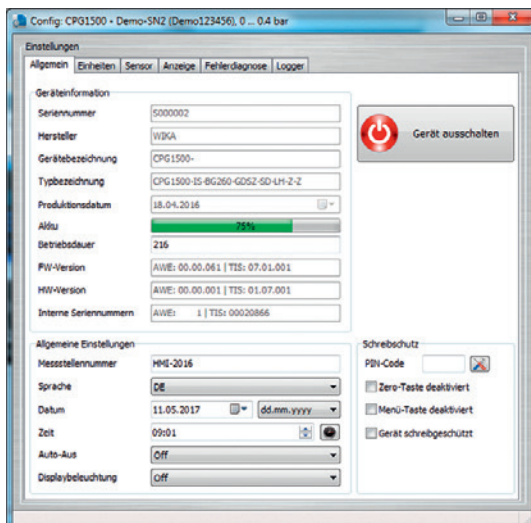
Im Konfigurationsfenster stehen die Funktionen „**Allgemein**“, „**Einheiten**“, „**Sensor**“, „**Anzeige**“, „**Fehlerdiagnose**“ und „**Logger**“ zur Verfügung.

6. Inbetriebnahme, Betrieb

Allgemein

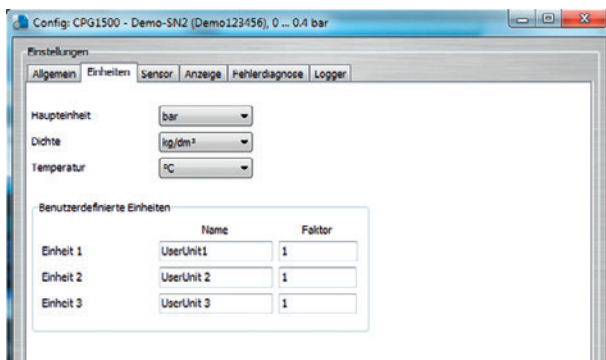
Hier stehen alle allgemeinen Parameter des verwendeten CPG1500.

Die Besonderheit ist der Schreibschutz durch einen PIN-Code. Dadurch kann die Einstellung gegen unerlaubten Eingriff gesperrt werden.



Einheiten

Spezifische Druckeinheiten mit dazugehörigem Faktor können gesetzt oder auch benutzerdefinierte Einheiten eingegeben werden.



6. Inbetriebnahme, Betrieb

Sensor

Die Sensorwerte werden angezeigt und können ausgelesen werden.

Anzeige

Die Anzeige wird hier eingestellt.

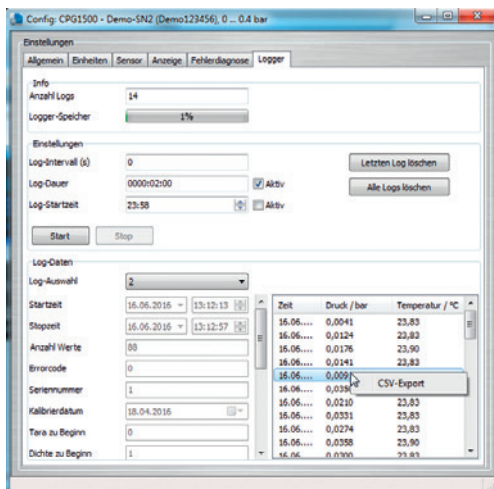
Fehlerdiagnose

Eine Fehlerbeschreibung und Fehlercode werden angezeigt.

Logger

Hier wird der Logger konfiguriert und gestartet.

Die Loggerdaten werden abgebildet und können per Rechtsklick der Maus als CSV-Datei heruntergeladen werden.



6.5.3 WIKA-Cal Log-Template

Folgende Optionen stehen mit dem „Log-Template“ zur Verfügung:

Neuer Log

Die Funktion „**Neuer Log**“ öffnet ein neues Loggerprotokoll.

Nach der Eingabe aller Parameter muss im Kommunikationsfenster die Zeile „**Wireless-Adresse**“ gedrückt werden. Das verwendete CPG1500 auswählen und bestätigen. Durch Drücken auf die Grafik **[Messergebnisse]** wird der Loggervorgang gestartet.

Erneut Loggen

Loggervorgänge können wiederholt werden

6. Inbetriebnahme, Betrieb

Download

Auf dem CPG1500 gespeicherte Loggervorgänge können unter „**Download**“ heruntergeladen und archiviert werden.

6.5.4 App „myWIKA device“

DE



Über die App „myWIKA device“ und die WIKA-Wireless-Verbindung lässt sich das CPG1500 per Handy bequem für Kalibrier- und Log-Aufgaben konfigurieren. Während der Druckmessung wird der Wert in der benötigten Einheit direkt auf dem Handy angezeigt.

Ferner können weitere Parameter wie Temperatur und Druckänderungsrate überprüft werden. Es besteht auch die Möglichkeit ausführlichere Geräteinformationen über die WIKA-Website abzurufen. Zusätzlich ermöglicht die App die Konfiguration, Steuerung und das Speichern von Log-Verfahren.

Logs, die auf dem Handy gespeichert wurden, können auf einen PC übertragen und von WIKA-Cal ausgelesen werden. Damit können diese weiterbearbeitet werden und die App bildet den Abschluss einer vollständigen Lösung im Umgang mit Daten auf dem CPG1500.

Unter der Grundeinstellung des CPG1500 kann zwischen der Kommunikationsart WIKA-Wireless Classic oder WIKA-Wireless Classic und WIKA-Wireless Low Energy (= LE) unterschieden werden.

WIKA-Wireless Low Energy (= LE) wird benötigt um über die Smartphone App myWIKAdevice mit einem IOS-fähigen Mobiltelefon zu kommunizieren.

Für eine Verbindung mit PC und/oder einem Android-fähigen Gerät wird empfohlen, WIKA-Wireless Classic zu wählen.



Für iOS-basierte Mobiltelefone ist die App im Apple Store unter folgendem Link verfügbar.

[Hier herunterladen](#)



Für Handys mit Android-Betriebssystem ist die App im Play Store unter folgendem Link verfügbar.

[Hier herunterladen](#)



HINWEIS: Die App kann bis auf Weiteres in Verbindung mit dem Digitalmanometer Typ CPG1500 nicht genutzt werden.
NOTE: The app cannot be used in conjunction with the digital pressure gauge CPG1500 type until further notice.

7. Störungen

Personal: Fachpersonal

Schutzausrüstung: Schutzhandschuhe, Schutzbrille

Werkzeuge: Gabelschlüssel SW 27 oder Drehmomentschlüssel



GEFAHR!

Lebensgefahr durch Explosion

Durch Arbeiten in entzündlichen Atmosphären besteht Explosionsgefahr, die zum Tod führen kann.

- ▶ Störungen nur in nicht-entzündlichen Atmosphären beseitigen!



WARNUNG!

Körperverletzungen, Sach- und Umweltschäden durch gefährliche Messstoffe

Bei Kontakt mit gefährlichen Messstoffen (z. B. Sauerstoff, Acetylen, brennbaren oder giftigen Stoffen), gesundheitsgefährdenden Messstoffen (z. B. ätzend, giftig, krebserregend, radioaktiv) sowie bei Kälteanlagen, Kompressoren besteht die Gefahr von Körperverletzungen, Sach- und Umweltschäden.

Am Gerät können im Fehlerfall aggressive Medien mit extremer Temperatur und unter hohem Druck oder Vakuum anliegen.

- ▶ Bei diesen Messstoffen müssen über die gesamten allgemeinen Regeln hinaus die einschlägigen Vorschriften beachtet werden.
- ▶ Notwendige Schutzausrüstung verwenden.



VORSICHT!

Körperverletzungen, Sach- und Umweltschäden

Können Störungen mit Hilfe der aufgeführten Maßnahmen nicht beseitigt werden, das Präzisions-Digitalmanometer Typ CPG1500 unverzüglich außer Betrieb setzen.

- ▶ Sicherstellen, dass kein Druck bzw. Signal mehr anliegt und gegen versehentliche Inbetriebnahme schützen.
- ▶ Kontakt mit dem Hersteller aufnehmen.
- ▶ Bei notwendiger Rücksendung die Hinweise unter Kapitel 9.2 „Rücksendung“ beachten.



Kontaktdaten siehe Kapitel 1 „Allgemeines“ oder Rückseite der Betriebsanleitung.

7. Störungen

Anzeige	Ursachen	Maßnahmen
	Batteriespannung schwach, Funktion ist nur noch kurze Zeit gewährleistet	Neue Alkalibatterien einsetzen siehe Kapitel 8.2 „Batteriewechsel“.
OL -OL	Messbereich weit über- oder unterschritten = > 10 % FS	Prüfen: liegt Druck in zulässigem Messbereich des Sensors?
Keine Anzeige bzw. Gerät reagiert nicht auf Tastendruck	Batterie ist leer	Neue Alkalibatterien einsetzen siehe Kapitel 8.2 „Batteriewechsel“.
	Batterien falsch eingesetzt	Auf korrekte Polarität achten siehe Kapitel 8.2 „Batteriewechsel“.
	Systemfehler	CPG1500 ausschalten, kurz warten, wieder einschalten
	CPG1500 defekt	Zur Reparatur einschicken

DE

8. Wartung, Reinigung und Rekalibrierung

Personal: Fachpersonal

Schutzausrüstung: Schutzhandschuhe, Schutzbrille

Werkzeuge: Gabelschlüssel SW 27 oder Drehmomentschlüssel



Kontaktdaten siehe Kapitel 1 „Allgemeines“ oder Rückseite der Betriebsanleitung.

8.1 Wartung

Das Präzisions-Digitalmanometer CPG1500 ist wartungsfrei.

Reparaturen sind ausschließlich vom Hersteller durchzuführen.

Ausgenommen ist der Austausch der Alkalibatterie.

Nur Originalteile verwenden (siehe Kapitel 11 „Zubehör“).

8.2 Batteriewechsel



GEFAHR!

Lebensgefahr durch Explosion

Durch Arbeiten in entzündlichen Atmosphären besteht Explosionsgefahr, die zum Tod führen kann.

- ▶ Nur die aufgelisteten Batterien verwenden, siehe Kapitel 3.6.2 „Zugelassene Batterien“!
- ▶ Keine Akkus verwenden!
- ▶ Die Geräte nicht in explosionsgefährdeten Bereichen öffnen!
- ▶ Den Batteriewechsel nur außerhalb des explosionsgefährdeten Bereiches durchführen!
- ▶ Immer alle drei Batterien zusammen austauschen!
- ▶ Die Batterieabdeckung muss geschlossen und eingerastet sein!
- ▶ Die Batterieabdeckung durch drei Schrauben sichern!
- ▶ Auf korrekte Polarität achten.

DE

Vorgehensweise

1. Das Gerät ausschalten und auf die Frontseite legen.
2. Die drei Schrauben des Batteriefachs lösen siehe Abb. 1 „Position des Batteriefachs“.
3. Batteriedeckel abnehmen.
4. Drei Batterien der Größe AA mit korrekter Polarität einsetzen. Nur zugelassenen Batterien verwenden, siehe Kapitel 3.6.2 „Zugelassene Batterien“.
5. Batteriedeckel aufsetzen und mit den drei Schrauben festschrauben.
⇒ Die obere Schraube zuerst anziehen.

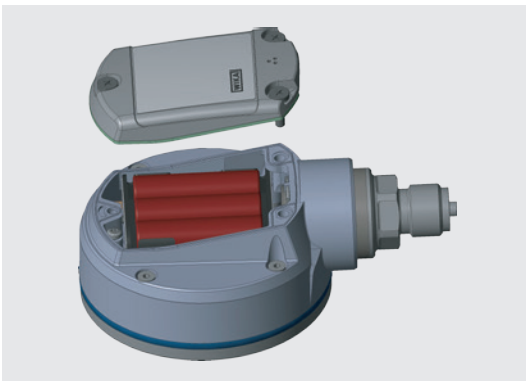


Abb. 1 - Position des Batteriefachs



Wird das Gerät längere Zeit nicht benutzt, die Batterien herausnehmen.

8. Wartung, Reinigung und Rekalibrierung

8.3 Reinigung



VORSICHT!

Körperverletzungen, Sach- und Umweltschäden

Eine unsachgemäße Reinigung führt zu Körperverletzungen, Sach- und Umweltschäden. Messstoffreste am ausgebauten Gerät können zur Gefährdung von Personen, Umwelt und Einrichtung führen.

- ▶ Notwendige Schutzausrüstung verwenden.
- ▶ Reinigungsvorgang wie folgt beschrieben durchführen.

1. Vor der Reinigung das Gerät ordnungsgemäß von der Druckversorgung trennen und ausschalten.
2. Notwendige Schutzausrüstung verwenden.
3. Das Gerät mit einem feuchten Tuch reinigen. Elektrische Anschlüsse nicht mit Feuchtigkeit in Berührung bringen!



VORSICHT!

Sachbeschädigung

Eine unsachgemäße Reinigung führt zur Beschädigung des Gerätes!

- ▶ Keine aggressiven Reinigungsmittel verwenden.
- ▶ Keine harten und spitzen Gegenstände zur Reinigung verwenden.
- ▶ Keine Lösungs- oder Schleifmittel zur Reinigung verwenden.

4. Ausgebautes Gerät spülen bzw. säubern, um Personen und Umwelt vor Gefährdung durch anhaftende Messstoffreste zu schützen.

8.4 Rekalibrierung

Rückführbare Kalibrierungen wie z. B. DKD/DAkKS-Schein, NIST oder vergleichbare Zertifikate - amtliche Bescheinigungen:

Es wird empfohlen, das Gerät in regelmäßigen Zeitabständen von ca. 12 Monaten durch den Hersteller rekalibrieren zu lassen. Die Grundeinstellungen werden wenn notwendig korrigiert.

Der Kalibrieraufkleber wird seitlich am CPG1500 angebracht. Bei Geräten mit Gummischutzkappe befindet sich dieser oben unter der Schutzkappe.



Abb. 2 - CPG1500 mit Gummischutzkappe



Abb. 3 - CPG1500 ohne Gummischutzkappe

9. Demontage, Rücksendung und Entsorgung

Personal: Fachpersonal

Schutzausrüstung: Schutzhandschuhe, Schutzbrille

Werkzeuge: Gabelschlüssel SW 27 oder Drehmomentschlüssel



WARNUNG!

Körperverletzungen, Sach- und Umweltschäden durch Messstoffreste

Messstoffreste am ausgebauten Präzisions-Digitalmanometer Typ CPG1500 können zur Gefährdung von Personen, Umwelt und Einrichtung führen.

- ▶ Angaben im Sicherheitsdatenblatt für den entsprechenden Messstoff beachten.
- ▶ Notwendige Schutzausrüstung verwenden.
- ▶ Ausgebautes Gerät spülen bzw. säubern, um Personen und Umwelt vor Gefährdung durch anhaftende Messstoffreste zu schützen.

DE

9.1 Demontage



WARNUNG!

Körperverletzungen, Sach- und Umweltschäden durch Messstoffreste

Bei Kontakt mit gefährlichen Messstoffen (z. B. Sauerstoff, Acetylen, brennbaren oder giftigen Stoffen), gesundheitsgefährdenden Messstoffen (z. B. ätzend, giftig, krebserregend, radioaktiv) sowie bei Kälteanlagen, Kompressoren besteht die Gefahr von Körperverletzungen, Sach- und Umweltschäden.

- ▶ Das ausgebaute Gerät (nach Betrieb) spülen bzw. säubern, um Personen und Umwelt vor Gefährdung durch anhaftende Messstoffreste zu schützen.



WARNUNG!

Körperverletzung

Bei der Demontage besteht Gefahr durch aggressive Medien und hohe Drücke.

- ▶ Prüf-/und Kalibrieraufbauten im drucklosen Zustand demontieren.

1. Präzisions-Digitalmanometer CPG1500 ausschalten.
2. Digitalmanometer mit Schraubenschlüssel oder Drehmomentschlüssel über die Schlüsselfläche lösen.
3. Digitalmanometer mit der Hand herausschrauben.
4. Digitalmanometer bei Bedarf reinigen, siehe Kapitel 8.3 „Reinigung“.

9. Demontage, Rücksendung und Entsorgung

9.2 Rücksendung

Beim Versand des Gerätes unbedingt beachten:

Alle an WIKA gelieferten Geräte müssen frei von Gefahrstoffen (Säuren, Laugen, Lösungen, etc.) sein und sind daher vor der Rücksendung zu reinigen.

DE



WARNUNG!

Körperverletzungen, Sach- und Umweltschäden durch Messstoffreste
Messstoffreste am ausgebauten Gerät können zur Gefährdung von Personen, Umwelt und Einrichtung führen.

- ▶ Bei Gefahrstoffen das Sicherheitsdatenblatt für den entsprechenden Messstoff beilegen.
- ▶ Gerät reinigen (siehe Kapitel 8.3 „Reinigung“).

Zur Rücksendung des Gerätes die Originalverpackung oder eine geeignete Transportverpackung verwenden.

Um Schäden zu vermeiden:

1. Das Gerät in eine antistatische Plastikfolie einhüllen.
2. Das Gerät mit dem Dämmmaterial in der Verpackung platzieren. Zu allen Seiten der Transportverpackung gleichmäßig dämmen.
3. Wenn möglich einen Beutel mit Trocknungsmittel der Verpackung beifügen.
4. Sendung als Transport eines hochempfindlichen Messgerätes kennzeichnen.



Hinweise zur Rücksendung befinden sich in der Rubrik „Service“ auf unserer lokalen Internetseite.

9.3 Entsorgung

Durch falsche Entsorgung können Gefahren für die Umwelt entstehen.

Gerätekomponenten und Verpackungsmaterialien entsprechend den landesspezifischen Abfallbehandlungs- und Entsorgungsvorschriften umweltgerecht entsorgen.



Nicht mit dem Hausmüll entsorgen. Für eine geordnete Entsorgung gemäß nationaler Vorgaben sorgen.

10. Technische Daten

10. Technische Daten



GEFAHR!

Lebensgefahr durch Verlust des Explosionsschutzes

Das Nichtbeachten der Angaben für den Einsatz in explosionsgefährdeten Bereichen führt zum Verlust des Explosionsschutzes.

- ▶ Nachfolgende Grenzwerte und technische Angaben einhalten.
- ▶ Die Funkbestimmungen des jeweiligen Einsatzortes sind einzuhalten.

DE

10.1 Sensorik

Sensorik							
Messbereich							
Relativdruck	bar	0 ... 0,1 ¹⁾	0 ... 0,25 ²⁾	0 ... 0,4 ²⁾	0 ... 0,6 ²⁾		
		0 ... 1	0 ... 1,6	0 ... 2,5	0 ... 4		
		0 ... 6	0 ... 10	0 ... 16	0 ... 25		
		0 ... 40	0 ... 60	0 ... 100	0 ... 160		
		0 ... 200	0 ... 250	0 ... 400	0 ... 600		
		0 ... 700 ³⁾	0 ... 1.000 ³⁾	0 ... 1.600 ⁴⁾	0 ... 2.500 ⁴⁾		
		0 ... 4.000 ⁵⁾	0 ... 6.000 ⁵⁾	0 ... 7.000 ⁵⁾	0 ... 8.000 ⁵⁾		
		0 ... 10.000 ⁵⁾					
	psi	0 ... 1,5 ¹⁾	0 ... 5 ²⁾	0 ... 10 ²⁾	0 ... 15		
		0 ... 20	0 ... 30	0 ... 50	0 ... 60		
		0 ... 100	0 ... 150	0 ... 160	0 ... 200		
		0 ... 300	0 ... 500	0 ... 700	0 ... 1.000		
		0 ... 1.500	0 ... 2.000	0 ... 3.000	0 ... 5.000		
		0 ... 6.000	0 ... 8.000	0 ... 10.000 ³⁾	0 ... 15.000 ³⁾		
		0 ... 20.000 ⁴⁾	0 ... 30.000 ⁵⁾	0 ... 50.000 ⁵⁾	0 ... 100.000 ⁵⁾		
		0 ... 150.000 ⁵⁾					
		Absolutdruck	bar abs.	0 ... 0,25 ²⁾	0 ... 0,4 ²⁾	0 ... 0,6 ²⁾	0 ... 1
				0 ... 1,6	0 ... 2,5	0 ... 4	0 ... 6
0 ... 7	0 ... 10			0 ... 16	0 ... 20		
0 ... 25	0 ... 40						
psi abs.	0 ... 3,5 ²⁾		0 ... 5 ²⁾	0 ... 10 ²⁾	0 ... 15		
	0 ... 20		0 ... 30	0 ... 50	0 ... 60		
	0 ... 100		0 ... 150	0 ... 200	0 ... 300		
	0 ... 500						

14161966.05 07/2018 EN/DE

10. Technische Daten

DE

Sensork

Vakuum und +/- Messbereiche	bar	-0,25 ... +0,25 ²⁾	-0,4 ... +0,4 ²⁾	-0,6 ... +0,6	-1 ... 0
		-1 ... +0,6	-1 ... +1,5	-1 ... 2,5	-1 ... 3
		-1 ... 5	-1 ... 7	-1 ... 9	-1 ... 10
		-1 ... 15	-1 ... 24	-1 ... 25	-1 ... 39
		-1 ... 40			
	psi	-14,5 ... 0	-14,5 ... +15	-14,5 ... 40	-14,5 ... 70
		-14,5 ... 100	-14,5 ... 130	-14,5 ... 300	-3 ... +3 ²⁾
		-5 ... +5 ²⁾	-8 ... +8	-3 ... 0 ²⁾	-5 ... 0 ²⁾
		-8 ... 0 ²⁾			

Überdrucksicherheit

Sensor	3-fach; < 25 bar 2-fach; > 25 bar ... ≤ 600 bar 1,5-fach; > 600 bar ... ≤ 1.600 bar 1,3-fach; > 1.600 bar 1,1-fach; > 6.000 bar	3-fach; < 360 psi 2-fach; > 360 psi ... ≤ 8.700 psi 1,5-fach; > 8.700 psi ... ≤ 25.000 psi 1,3-fach; > 25.000 psi 1,1-fach; > 85.000 psi
--------	---	--

Anzeige	> 110 % FS bzw. -10 % FS
---------	--------------------------

Genauigkeit ^{6) 7)}	Standard: 0,1 % FS Optional: 0,05 % FS ⁸⁾ oder 0,025 % FS ^{8) 9)}
------------------------------	---

Kompensierter Temperaturbereich	-10 ... +50 °C (14 ... 122 °F)
---------------------------------	--------------------------------

Druckart	Relativdruck, Absolutdruck (bis 20 bar abs. (290 psi abs.)) und Vakuummessbereiche
----------	--

Prozessanschluss

Standard ≤ 1.000 bar (≤ 15.000 psi)	G ½ B, G ¼ B, ½ NPT, ¼ NPT, G 1 B frontbündig, G ½ B frontbündig
---	--

Hochdruckausführung > 1.000 bar (> 15.000 psi)	<ul style="list-style-type: none"> ■ M16 x 1,5 innen, mit Dichtkonus ■ M20 x 1,5 innen, mit Dichtkonus ■ 9/16 - 18 UNF innen F 250-C
--	---

Druckmedium	Alle Flüssigkeiten und Gase die mit CrNi-Stahl 316 kompatibel sind
-------------	--

Justage	Offset und Spannefaktor einstellbar
---------	-------------------------------------

- 1) Erweiterte Genauigkeit von 0,2 % FS
- 2) Erweiterte Genauigkeit von 0,15 % FS
- 3) Nicht als frontbündige Ausführung möglich
- 4) Erweiterte Genauigkeit von 0,15 % FS, bei Referenzbedingungen 23 °C ± 3 °C
- 5) Erweiterte Genauigkeit von 0,25 % FS, bei Referenzbedingungen 23 °C ± 3 °C
- 6) Ist durch die Gesamt-Messunsicherheit definiert, welche durch den Erweiterungsfaktor (k = 2) ausgedrückt wird und folgende Faktoren beinhaltet: die gerätespezifische Performance, Messunsicherheit des Referenzgerätes, Langzeitstabilität, Einfluss durch Umgebungsbedingungen, Drift und Temperatureinflüsse über den kompensierten Bereich bei periodischem Nullpunktgleich.
- 7) FS = Full span = Messbereichsende - Messbereichsanfang
- 8) Bei einer Messrate von ≤ 3 Messwerten pro Sekunde
- 9) Nur bei ≥ 0 ... 1 bar bis zu ≤ 0 ... 1.000 bar (≥ 0 ... 1 15 psi bis zu ≤ 0 ... 14.500 psi), bei Referenzbedingungen 23°C ± 3 °C

14161966.05 07/2018 EN/DE

10. Technische Daten

10.2 Grundgerät

Grundgerät	
Anzeige	
Display	5 ½-stellige 7-Segment-Anzeige (inkl. einem großen Matrixbereich für eine zusätzliche Hilfsanzeige) Bargraph, 0 ... 100 % Einstellbare Hintergrundbeleuchtung
Drehbares Gehäuse	Das Gehäuse ist um 330° drehbar.
Auflösung	4 ... 5 ½ Stellen; einstellbar; abhängig von der gewählten Druckeinheit
Druckeinheiten	Standard: psi, bar Einstellbar auf: mbar, kg/cm ² , Pa, hPa, kPa, Mpa, mmH ₂ O, mH ₂ O, inH ₂ O, inH ₂ O (4 °C), inH ₂ O (20 °C), inH ₂ O (60 °F), ftH ₂ O, mmHg, cmHg, inHg, inHg (0 °C), inHg (60 °F), kp/cm ² , lbf/ft ² , kN/m ² , atm, Torr, micron, sowie benutzerdefinierte Einheiten ¹⁰⁾
Funktionen	
Messrate	max. 50/s
Menüsprachen	Standard: Englisch Einstellbar: Deutsch, Italienisch, Französisch, Spanisch, Russisch und Polnisch
Speicher	Standard: Min./Max. Optional: integrierter Datenlogger
Menüfunktionen	Min.-/Max.-Alarm (visuell), Power-Off-Funktion, Messrate, Mittelwertfilter, Druckrate, Mittelwert (über einstellbares Intervall), Füllstandsanzeige, Tara-Offset, Anzeigedämpfung
Mittelwert-Intervall	1 ... 300 Sekunden, einstellbar
Datenlogger ¹¹⁾	Zyklischer Logger: automatische Aufzeichnung von bis zu 1.000.000 Werten; Zykluszeit: wählbar von 1 ... 3.600 s in 1-Sekunden-Schritten oder mit der Messrate in folgenden Schritten: 1/s, 3/s, 10/s und 50/s
Werkstoff	
Messstoffberührte Teile	≤ 1.000 bar: CrNi-Stahl 316 > 1.000 bar: CrNi-Stahl 1.4534 -1 ... < 40 bar: CrNi-Stahl 316 > 40 ... 1.000 bar: CrNi-Stahl 316 + Elgiloy Zelle 2.4711
Gehäuse	Alu-Druckguss, vernickelt
Spannungsversorgung	
Hilfsenergie	3 x 1,5 V AA-Alkalibatterien ¹²⁾
Maximale Spannung	DC 4,95 V (Funkenzündung)
Batterielebensdauer	typisch 2.000 ... 2.500 h (ohne Hintergrundbeleuchtung und WIKA-Wireless nicht aktiv)
Batteriestandsanzeige	Symbolanzeige mit 4 Balken zeigt in 25%-Schritten den Batteriestatus an

DE

10. Technische Daten

Grundgerät

Zulässige Umgebungsbedingungen

Betriebstemperatur	-10 ... +50 °C (14 ... 122 °F)
Messstofftemperatur	-10 ... +50 °C (14 ... 122 °F) (untere Temperaturgrenze über Gefrierpunkt des Mediums)
Lagertemperatur	-20 ... +70 °C (-4 ... +158 °F)
Relative Luftfeuchte	< 95 % r. F. (nicht kondensierend)

Kommunikation (optional)

Schnittstelle	WIKA-Wireless ¹³⁾
---------------	------------------------------

Gehäuse

Abmessungen	ca. 100 x 150 x 59 mm (3,9 x 5,9 x 2,3 in)
Schutzart	IP65
Gewicht	■ inkl. Batterien ca. 680 g (1,5 lbs) ■ mit Gummischutzkappe: ca. 820 g (1,81 lbs)

- 10) Die Einstellung der benutzerdefinierten Einheiten ist ausschließlich über die Software WIKA-Cal möglich. Das CPG1500 muss mit WIKA-Wireless ausgestattet sein.
- 11) Zum Auswerten der Loggerdaten wird die Software WIKA-Cal benötigt:
Die Loggerdaten können mit der WIKA-Cal-Demoversion als CSV-Datei heruntergeladen werden. Der Live-Logger, eine genau Datenanalyse oder eine direkte Zeugniserstellung kann mit dem Logger-Template der WIKA-Cal genutzt werden.
- 12) Für explosionsgefährdete Bereiche nur folgende Typen zulässig:
- Duracell, Simply by Duracell MN1500
 - Duracell, Duralock Plus Power MN1500
 - Varta, RAYOVAC Maximum Plus 4006

10.3 WIKA-Wireless

WIKA-Wireless ¹³⁾

Frequenzbereich	2.400 ... 2.500 MHz
HF-Ausgangsleistung	max. 2 dBm (+ 2 dBi)
Kanalanzahl	
Classic	79
Low Energy	40
Kanalabstand	
Classic	1 MHz
Low Energy	2 MHz
Bandbreite	1 oder 2 MHz
Ausgangsleistung	4 dBm / 10 mW Maximale Ausgangsleistung im Fehlerfall für Ex ia: 490 mW

- 13) Erfordert einen PC mit Bluetooth® 2.1 Schnittstelle
WIKA-Wireless Low Energy (= LE) wird benötigt um über die Smartphone App myWIKa-device mit einem IOS-fähigen Mobiltelefon zu kommunizieren.



Die Verwendung des Funk-Moduls unterliegt den Regelungen und Bestimmungen des jeweiligen Einsatzlandes und das Modul darf nur in den Ländern eingesetzt werden, für die eine Länderzertifizierung vorliegt: Österreich, Belgien, Zypern, Tschechische Republik, Dänemark, Estland, Finnland, Frankreich, Deutschland, Griechenland, Ungarn, Irland, Italien, Lettland, Litauen, Luxemburg, Malta, Polen, Portugal, Slowakei, Slowenien, Spanien, Schweden, Niederlande, Vereinigtes Königreich, Schweiz und Norwegen

Geräte mit FCC / IC-Kennzeichnung sind zusätzlich für USA und Kanada zugelassen.



Prüfen Sie, ob diese Zulassungen für Ihr Land gelten. Es ist nicht erlaubt, in Ländern ohne gültige Funkzulassung WIKA-Wireless zu nutzen.

Dieses Gerät erfüllt Teil 15 der FCC-Vorschriften.

Der Betrieb unterliegt den beiden folgenden Bedingungen:

1. Dieses Gerät darf keine schädlichen Störungen verursachen.
2. Dieses Gerät muss alle empfangenen Störungen annehmen, einschließlich Störungen, die zu unbeabsichtigtem Betrieb führen können.

FCC and IC Notice:

This instrument complies with part 15 of the FCC rules.

Operation is subject to the following two conditions:

1. This instrument may not cause harmful interference.
2. This instrument must accept any interference received, including interference that may cause undesired operation.

Cet instrument satisfait à la section 15 de la réglementation FCC.



L'exploitation est autorisée aux deux conditions suivantes :

1. l'appareil ne doit pas produire de brouillage, et
2. l'utilisateur de l'appareil doit accepter tout brouillage radioélectrique subi, même si le brouillage est susceptible d'en compromettre le fonctionnement.



Dieses Gerät wurde einer Überprüfung unterzogen und erfüllt nachweislich die Grenzwerte für ein Digitalgerät der Klasse B gemäß Teil 15 der FCC-Vorschriften. Diese Grenzwerte sollen einen angemessenen Schutz gegen Störungen bei Installation in einem Wohngebiet garantieren. Dieses Gerät erzeugt, nutzt und strahlt Energie in Form von Funkfrequenzen ab, die bei Installation und Verwendung unter Nichtbeachtung der Anleitung zu schädlichen Störungen in der Funkkommunikation führen können. Es gibt jedoch keine Garantie dafür, dass es bei bestimmten Installationen nicht doch zu Störungen kommt.

10. Technische Daten

Logo	Beschreibung	Land
	EAC <ul style="list-style-type: none"> ■ EMV-Richtlinie ■ Explosionsgefährdete Bereiche <div style="display: flex; justify-content: space-between;"> <div style="width: 45%;"> Ex i Zone 0 Gas Zone 1 Anbau an Zone 0 Gas Zone 1 Gas </div> <div style="width: 45%;"> Ex ia IIC T4 Ga Ex ia IIC T4 Ga/Gb Ex ia IIC T4 Gb T4 bei -10 ... +50 °C </div> </div>	Eurasische Wirtschaftsge- meinschaft
	DNOP (MakNII) <ul style="list-style-type: none"> ■ Mining ■ Explosionsgefährdete Bereiche 	Ukraine
-	PESO Explosionsgefährdete Bereiche Ex i Zone 1 Anbau an Zone 0 Gas Ex ia IIC T4 Ga/Gb	Indien

DE

10.5 Zertifikate/Zeugnisse

Zertifikat	
Kalibrierung ¹⁾	Standard: Kalibrierzertifikat 3.1 nach EN 10204 Option: DKD/DAkKS-Kalibrierzertifikat
Empfohlenes Rekalibrierungsintervall	1 Jahr (abhängig von den Nutzungsbedingungen)

1) Kalibriert bei senkrechter Einbaulage mit dem Prozessanschluss nach unten ausgerichtet

Zulassungen und Zertifikate siehe Internetseite

Weitere technische Daten siehe WIKA-Datenblatt CT 10.51 und Bestellunterlagen.

Patente, Schutzrechte

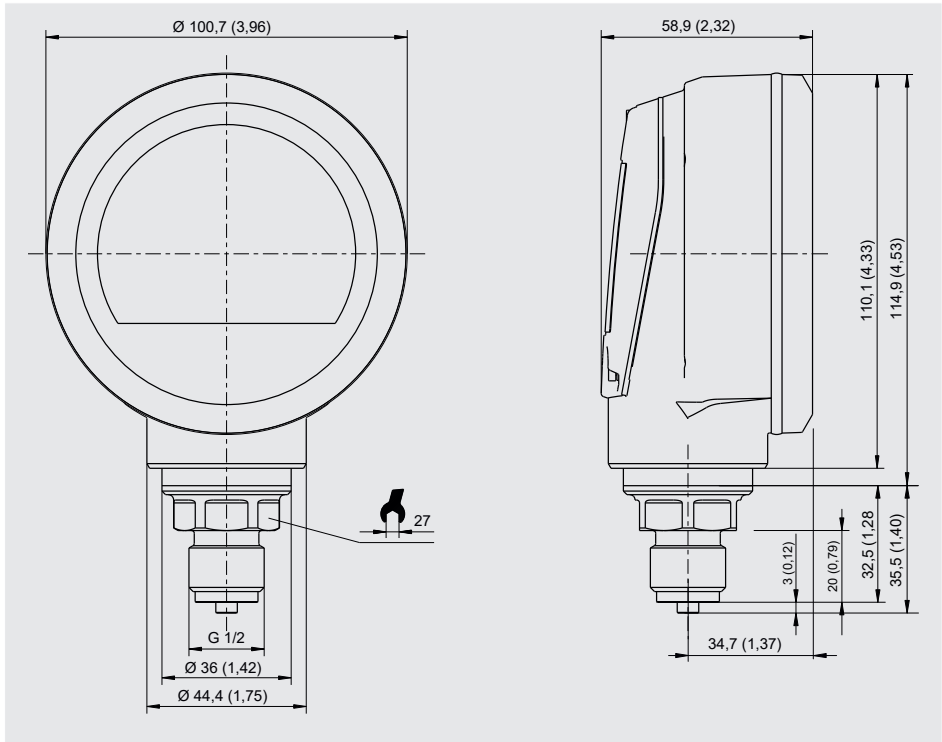
Patent angemeldet unter Nr. US D 803,082 S

10. Technische Daten

10.6 Abmessungen in mm (in)

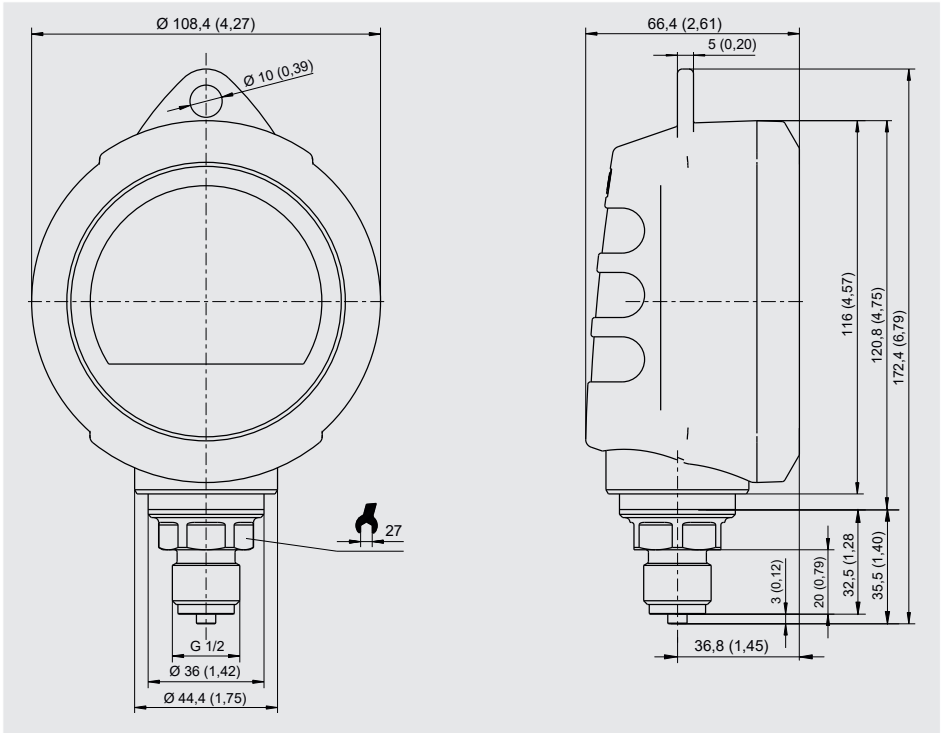
10.6.1 CPG1500 ohne Gummischutzkappe

DE



10. Technische Daten

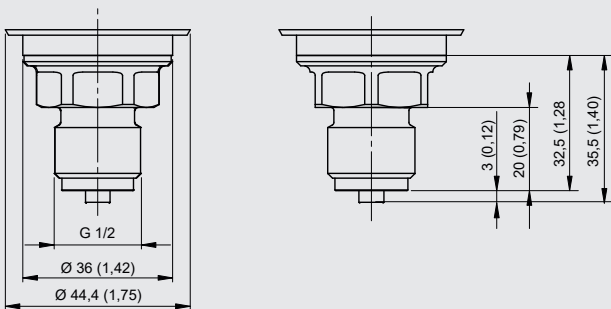
10.6.2 CPG1500 mit Gummischutzkappe



DE

10.7 Gewindeanschlüsse

Gewindeanschluss G 1/2

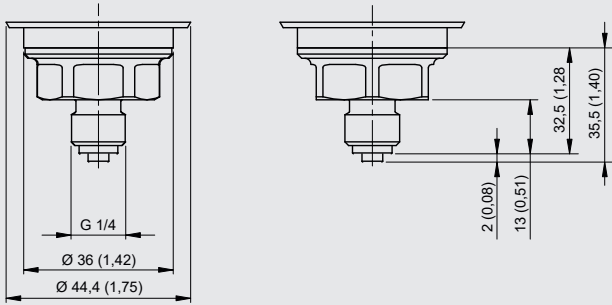


14161966.05 07/2018 EN/DE

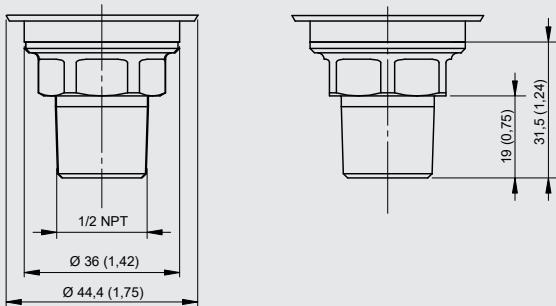
10. Technische Daten

DE

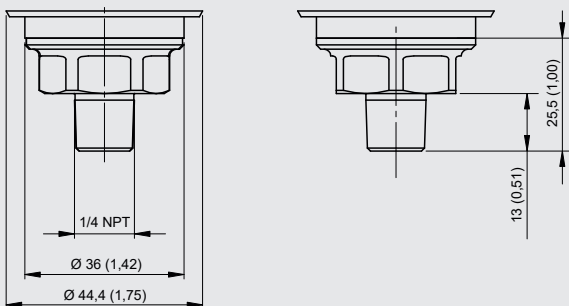
Gewindeanschluss G 1/4



Gewindeanschluss 1/2 NPT



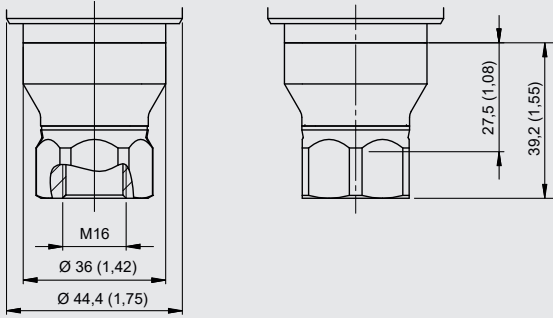
Gewindeanschluss 1/4 NPT



14161966.05 07/2018 EN/DE

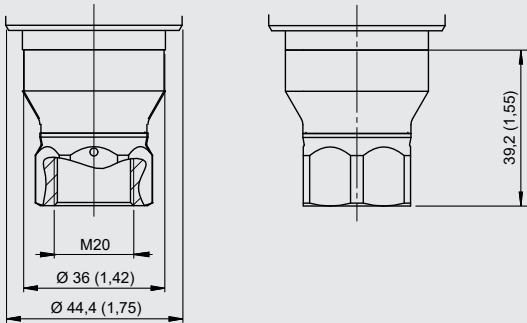
10. Technische Daten

Gewindeanschluss M16

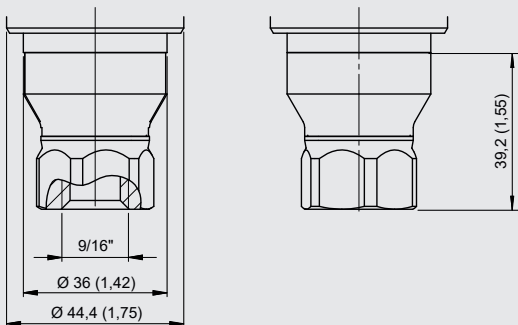


DE

Gewindeanschluss M20



Gewindeanschluss 9/16 - 18 UNF



14161966.05 07/2018 EN/DE

11. Zubehör

11. Zubehör

DE


Beschreibung		Bestellcode
		CPG-A-15-
	Alkalibatterien 3 x 1,5 V AA	-C-
	Gummischutzkappe für Gehäuse	-G-
	Dichtungssatz Bestehend aus 4 x USIT-Dichtung G 1/2, 2 x USIT-Dichtung G 1/4 und Kunststoffbehälter	-D-
	Adapterset für NPT-Anschluss für BSP-Anschluss	-F- -B-
	Messgerätehalter 90°	-1-
	Kunststoffkoffer für 1 x Digitalmanometer, 1 x hydraulische Handprüfpumpe CPP700-H	-N-
	für 1 x Digitalmanometer, 1 x pneumatische Handprüfpumpe CPP7-H oder CPP30	-L-
	für 1 x CPG1500 zur Aufbewahrung und Transport	-5-
	für 3 x CPG1500 zur Aufbewahrung und Transport	-6-
	WIKA-Wireless-USB-Stick	-2-

Bestellangaben für Ihre Anfrage:

1. Bestellcode: CPP-A-15
2. Option:

↓
[]

11. Zubehör

		Bestellcode
	Kalibriersoftware WIKA-Cal	WIKA-CAL-L
	Service-Kit Pneumatisch	CPG-KITP
	Hydraulische	CPG-KITH

DE

WIKA-Zubehör finden Sie online unter www.wika.de.



DE

EU-Konformitätserklärung EU Declaration of Conformity

Dokument Nr.: **14159658.03**
Document No.:


Wir erklären in alleiniger Verantwortung, dass die mit CE gekennzeichneten Produkte
We declare under our sole responsibility that the CE marked products

Typenbezeichnung: **CPG1500**
Type Designation:

Beschreibung: **Präzisions-Digitalmanometer**
Description: **Precision digital pressure gauge**

gemäß gültigem Datenblatt:
according to the valid data sheet: **CT 10.51**

die wesentlichen Schutzanforderungen der folgenden Richtlinien erfüllen: **Harmonisierte Normen:**
comply with the essential protection requirements of the directives: **Harmonized standards:**

2011/65/EU	Gefährliche Stoffe (RoHS) Hazardous substances (RoHS)	EN 50581:2012
2014/68/EU	Druckgeräterichtlinie (DGRL) ⁽⁵⁾ Pressure Equipment Directive (PED) ⁽⁵⁾	
2014/30/EU	Elektromagnetische Verträglichkeit (EMV) ⁽⁶⁾ Electromagnetic Compatibility (EMC) ⁽⁶⁾	EN 61326-1:2013
2014/34/EU	Explosionsschutz (ATEX) ⁽⁷⁾ Explosion protection (ATEX) ⁽⁷⁾	EN 60079-0:2012 + A11:2013 EN 60079-11:2012 EN 60079-26:2015
	 II 1G Ex ia IIC T4 Ga II 1/2G Ex ia IIC T4 Gb/Gb II 2G Ex ia IIC T4 Gb	
2014/53/EU	Funkanlagen ⁽¹⁾ Radio Equipment ⁽¹⁾	EN 60950:2006 + A11:2009 + A1:2010 + A12:2011 + A2:2013 ⁽²⁾ EN 62479:2010 ⁽²⁾ EN 61326-1:2013 ⁽³⁾ EN 301 489-1 V1.9.2 (2011-09) ⁽³⁾ EN 301 489-17 V2.2.1 (2012-09) ⁽³⁾ EN 300 328 V2.1.1 (2016-11) ⁽⁴⁾

(1) Nur für CPG1500-***-*****-***-W und CPG1500-***-*****-***-M
For CPG1500-***-*****-***-W and CPG1500-***-*****-***-M only

(2) Gesundheit und Sicherheit (Artikel 3 (1) a) / Protection of health and safety (Article 3 (1) (a))

(3) Elektromagnetische Verträglichkeit (Artikel 3 (1) b)) / Electromagnetic compatibility (Article 3 (1) b))

(4) effiziente Nutzung Frequenzspektrum (Artikel 3 (2)) / effective use of spectrum (Article 3 (2))

(5) Modul A, interne Fertigungskontrolle / Module A, internal control of production

(6) Nur für CPG1500-***-*****-***-Z / For CPG1500-***-*****-***-Z only

(7) EU-Baumusterprüfbescheinigung BVS 16 ATEX E 043 X von DEKRA EXAM GmbH, D-44809 Bochum (Reg.-Nr. 0158).
EU type-examination certificate BVS 16 ATEX E 043 X of DEKRA EXAM GmbH, D-44809 Bochum (Reg. no. 0158)

Unterszeichnet für und im Namen von / Signed for and on behalf of

WIKAL Alexander Wiegand SE & Co. KG

Klingenberg, 2017-07-06

Alfred Häfner, Vice President
Calibration Technology

Harald Hartl, Manager Quality Assurance
Calibration Technology

WIKAL Alexander Wiegand SE & Co. KG
Alexander-Wiegand-Straße 30
63911 Klingenberg
Germany

Tel. +49 9372 132-0
Fax +49 9372 132-406
E-Mail info@wika.de
www.wika.de

Kommanditgesellschaft: Sitz Klingenberg –
Amtsgericht Aschaffenburg HRA 1819
Komplementärin: WIKAL Verwaltungs SE & Co. KG –
Sitz Klingenberg – Amtsgericht Aschaffenburg
HRA 4655

Komplementärin:
WIKAL International SE - Sitz Klingenberg -
Amtsgericht Aschaffenburg HRB 10505
Vorstand: Alexander Wiegand
Vorsitzender des Aufsichtsrats: Dr. Max Egli

WIKA subsidiaries worldwide can be found online at www.wika.com.
WIKA-Niederlassungen weltweit finden Sie online unter www.wika.de.



WIKAI Alexander Wiegand SE & Co. KG

Alexander-Wiegand-Straße 30

63911 Klingenberg • Germany

Tel. +49 9372 132-0

Fax +49 9372 132-406

info@wika.de

www.wika.de