



### Model Number

**NBN4-12GM40-Z0**

### Features

- 4 mm non-flush
- 2-wire DC

### Accessories

#### BF 12

Mounting flange, 12 mm

## Technical Data

### General specifications

Switching element function		DC	NO
Rated operating distance	$s_n$	4 mm	
Installation		non-flush	
Output polarity		DC	
Assured operating distance	$s_a$	0 ... 3.24 mm	
Reduction factor $r_{Al}$		0.37	
Reduction factor $r_{Cu}$		0.36	
Reduction factor $r_{304}$		0.74	

### Nominal ratings

Operating voltage	$U_B$	5 ... 60 V
Switching frequency	$f$	0 ... 1000 Hz
Hysteresis	$H$	1 ... 10 typ. 5 %
Reverse polarity protection		reverse polarity tolerant
Short-circuit protection		pulsing
Voltage drop	$U_d$	≤ 5 V
Operating current	$I_L$	2 ... 100 mA
Lowest operating current	$I_m$	2 mA
Off-state current	$I_r$	0 ... 0.5 mA typ.
Switching state indicator		all direction LED, yellow

### Functional safety related parameters

MTTF <sub>d</sub>	2020 a
Mission Time (T <sub>M</sub> )	20 a
Diagnostic Coverage (DC)	0 %

### Ambient conditions

Ambient temperature	-25 ... 70 °C (-13 ... 158 °F)
---------------------	--------------------------------

### Mechanical specifications

Connection type	cable PVC , 2 m
Core cross-section	0.14 mm <sup>2</sup>
Housing material	brass, nickel-plated
Sensing face	PBT
Degree of protection	IP67

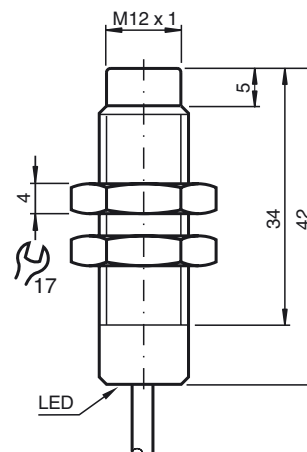
### Compliance with standards and directives

Standard conformity	
Standards	EN 60947-5-2:2007 IEC 60947-5-2:2007

### Approvals and certificates

UL approval	cULus Listed, General Purpose
CSA approval	cCSAus Listed, General Purpose
CCC approval	Certified by China Compulsory Certification (CCC)

## Dimensions



## Electrical Connection

