



ALL RIGHTS RESERVED. NO PORTION OF THIS PUBLICATION, WHETHER IN WHOLE OR IN PART CAN BE REPRODUCED WITHOUT THE EXPRESS WRITTEN CONSENT OF SPC TECHNOLOGY.

SPC-F005.DWG

REVISIONS

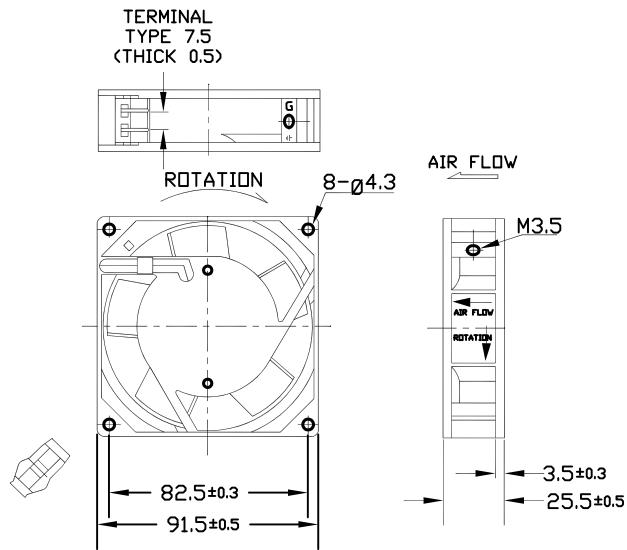
DDC. NO. SPC-F005 * Effective: 7/8/02 * DCP No: 1398

DCP #	REV	DESCRIPTION	DRAWN	DATE	CHECKD	DATE	APPRVD	DATE
XX	A	RELEASED	LG	02-08-08	JN	02-08-08	JN	02-08-08
2067	B	Listing Info Updated	JN	08-21-09	JN	08-21-09	JN	08-21-09

MATERIAL

- 2-1. Frame : DIE-CAST ALUMINUM
- 2-2. Impeller : Thermoplastic PBT of UL 94V-0

DIMENSIONS



1. Air Flow Direction : Toward label side
2. Best Mounting Direction : Any orientation



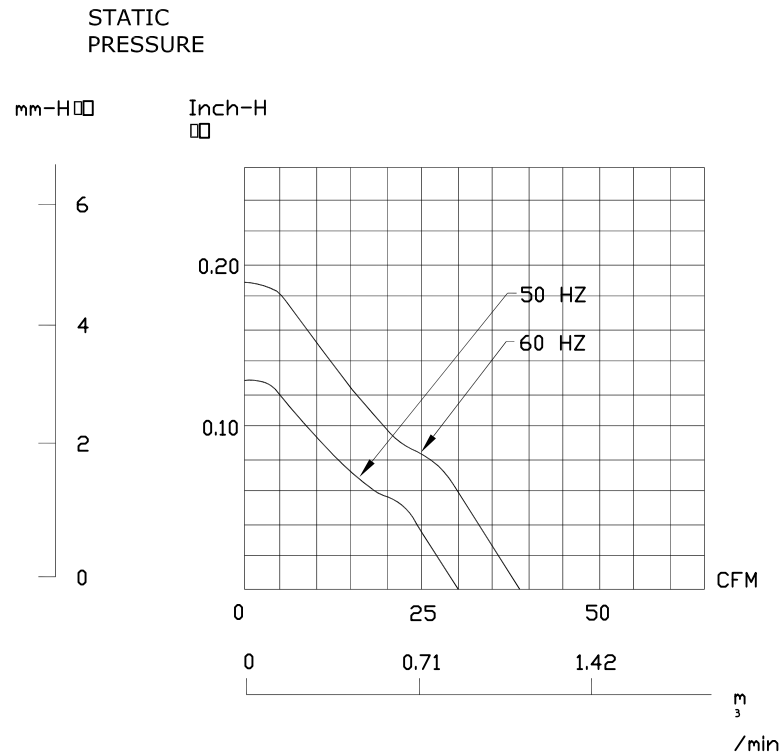
DISCLAIMER:
ALL STATEMENTS AND TECHNICAL INFORMATION CONTAINED HEREIN ARE BASED UPON INFORMATION AND/OR TESTS WE BELIEVE TO BE ACCURATE AND RELIABLE. SINCE CONDITIONS OF USE ARE BEYOND OUR CONTROL, THE USER SHALL DETERMINE THE SUITABILITY OF THE PRODUCT FOR THE INTENDED USE AND ASSUME ALL RISK AND LIABILITY WHATSOEVER IN CONNECTION THEREWITH.

TOLERANCES:
UNLESS OTHERWISE SPECIFIED, DIMENSIONS ARE FOR REFERENCE PURPOSES ONLY.

DRAWN BY:	DATE:
LG	02-08-08
CHECKED BY:	DATE:
JN	02-08-08
APPROVED BY:	DATE:
JN	02-08-08

DRAWING TITLE:			
Axial AC Fan			
SIZE	DWG. NO.	ELECTRONIC FILE	REV
A	MC19687	70K8570.dwg	B
SCALE:	U.O.M.:	SHEET:	
NTS	INCHES [mm]	1 OF 4	

PERFORMANCE CURVES



ALL RIGHTS RESERVED. NO PORTION OF THIS PUBLICATION, WHETHER IN WHOLE OR IN PART CAN BE REPRODUCED WITHOUT THE EXPRESS WRITTEN CONSENT OF SPC TECHNOLOGY.

SIZE A	DWG. NO. MC19687	ELECTRONIC FILE 70K8570	REV
SCALE: NTS		U.O.M.: Millimeters	SHEET: 2 OF 4

SPECIFICATIONS

1-1. Rated Voltage	:	115 VAC 50/60 HZ
1-2. Operating Voltage Range	:	85~125 VAC
1-3. Starting Voltage	:	85 VAC (25 deg. C POWER ON/OFF)
1-4 Rated Speed	:	2350/2850 RPM \pm 10%
1-5. Air Delivery	:	30/37 CFM
1-6. Static Pressure	:	0.13/0.19 Inch-H ₂ O
1-7. Rated Current	:	0.12/0.11 AMP
1-8. Rated Power	:	13/12 WATTS
1-9. Noise Level	:	37/40 dB(A)
1-10. Direction of Rotation	:	Counter-clockwise viewed from front of fan blade
1-11. Operating Temperature	:	-10 to +70 deg. C
1-12. Storage Temperature	:	-40 to +70 deg. C
1-13. Bearing System	:	Precision ball bearing system
1-14. Weight	:	280g
1-15. Safety	:	UL/CUR Approvals
1-16. Vibration	:	Vibration of acceleration 1.5G and frequency 5~50~5Hz is applied in all 3 directions (X,Y,Z), in cycles of 1 minute each, for a total vibration time of 30 minutes.



ALL RIGHTS RESERVED. NO PORTION OF THIS PUBLICATION, WHETHER IN WHOLE OR IN PART CAN BE REPRODUCED WITHOUT THE EXPRESS WRITTEN CONSENT OF SPC TECHNOLOGY.

SIZE A	DWG. NO. MC19687	ELECTRONIC FILE 70K8570	REV
SCALE: NTS		U.O.M.: Millimeters	SHEET: 3 OF 4

CHARACTERISTICS

- | | | |
|--------------------------|---|--|
| 1. Motor Design | : | Reliable Shaded-Pole Motor Construction. |
| 2. Insulation Resistance | : | 500 Megohms minimum at 500 VDC. |
| 3. Dielectric Strength | : | 1500 VAC for one second. |
| 4. Motor Protection | : | Impedance protected. |
| 5. Noise Level | : | Measured in a semi-anechoic chamber with background noise level below 15 dB(A). The fan is running in free air with the microphone at a distance of one meter from the fan intake. |
| 6. Tolerance | : | ±15% on rated power and current. |
| 7. Air Performance | : | Measured by a double chamber. The values are recorded when the fan speed has stabilized at rated voltage. |

