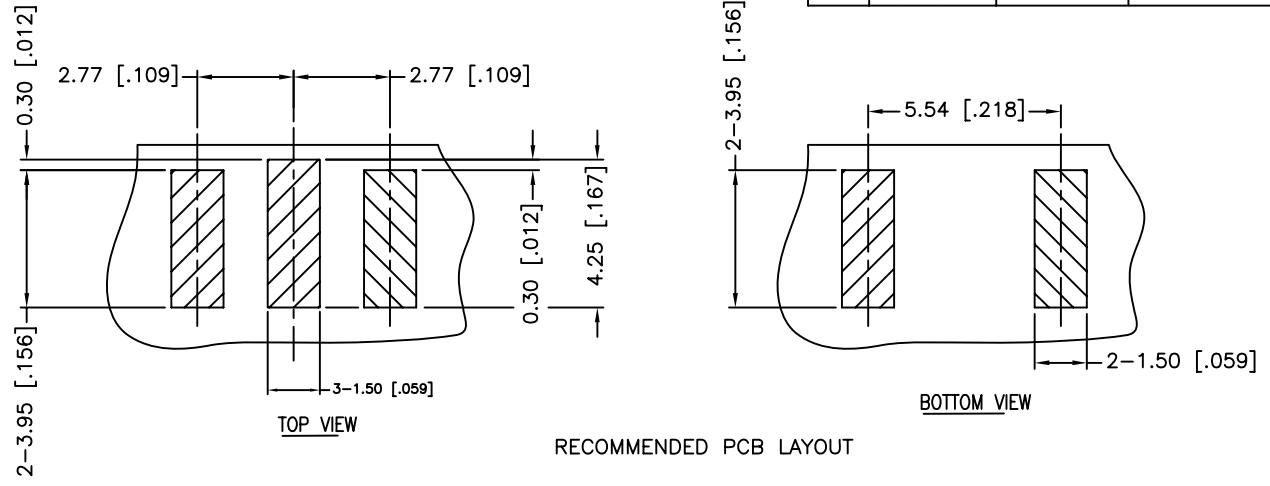
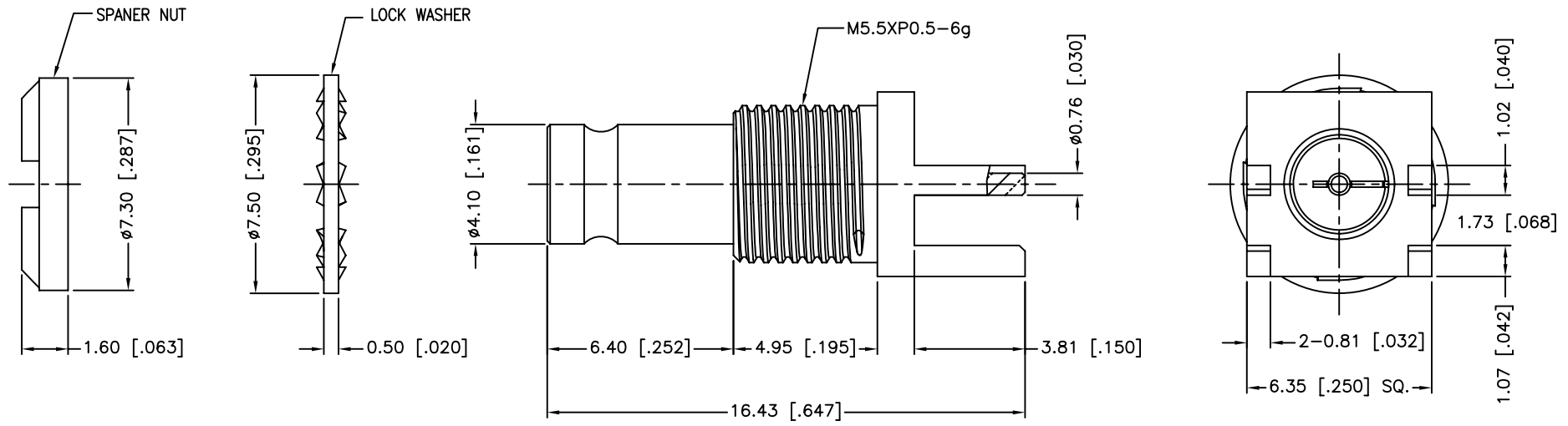


REV.	DATE	ECR NO.	DESCRIPTION
NC	03/08/10	XXXXXX	INITIAL RELEASE



RECOMMENDED PCB LAYOUT



1. FREQUENCY RANGE: 0 - 3 GHz
2. VSWR (RETURN LOSS): 1.15 MAX.

QTY	DESCRIPTION	MATERIAL	FINISH
1	SPANNER NUT	BRASS	GOLD
1	LOCK WASHER	BRASS	GOLD
1	CONTACT PIN	BER. COPPER	GOLD
1	INSULATOR	PTFE	NATURAL
1	BODY	BRASS	GOLD

UNLESS OTHERWISE SPECIFIED DIMENSIONS ARE IN MILLIMETERS. DIMENSIONS IN [ ] ARE IN INCHES AND FOR CUSTOMER REFERENCE ONLY.

UNLESS OTHERWISE SPECIFIED TOLERANCES FOR MILLIMETERS ARE:  
0.5 - 8mm ± 0.20mm  
8 - 30mm ± 0.40mm  
30 - 120mm ± 0.50mm

UNLESS OTHERWISE SPECIFIED TOLERANCES FOR INCHES ARE:  
.020 - .315 ± 0.007"  
.315 - 1.180 ± 0.015"  
1.180 - 4.724 ± 0.020"

DO NOT SCALE DRAWING

APPROVALS	DATE
DRAWN M.ZHANG	03/08/10
CHECKED	
ISSUED	
SHEET 1 OF 1	
CAD FILE C:/CONNEX/282133-75.DWG	

**Amphenol Connex**

PART DESCRIPTION  
**1.0/2.3 END LAUNCH RECEPT. BULK HAND JACK  
- 75 OHM (.062" BOARD THICKNESS)**

PART NO. **282133-75**

DWG. NO. 282133-75.DWG    REV. NC    SIZE A    SCALE NA