

Protective covers - EV-T2SC-EM - 1627635

Please be informed that the data shown in this PDF Document is generated from our Online Catalog. Please find the complete data in the user's documentation. Our General Terms of Use for Downloads are valid (<http://download.phoenixcontact.com>)



Self-closing hinged cover for Infrastructure Socket Outlet, Type 2, IEC 62196-2, Thread: Torx screw 30 x 12 (supplied as standard)

Article description

Self-closing hinged cover for Infrastructure Socket Outlet

Your advantages

- Production in accordance with ISO TS 16949
- Material data available in the IMDS (International Material Data System of the automotive industry)

Key commercial data

package_quantity	1
GTIN	4055626346083

Technical data

Product definition

Product type	Self-closing hinged cover for Infrastructure Socket Outlet
Type	Front hinged cover screw connection
Standards/regulations	IEC 62196-2
Charging standard	Type 2
Charging mode	Mode 3, Case B
Type of charging current	AC
Special packaging quantity	25 Quantity

Dimensions

Height	93.7 mm
Width	85 mm
Depth	32.5 mm
Bore dimensions	60 mm x 60 mm

Ambient conditions

Ambient temperature (operation)	-30 °C ... 50 °C
Ambient temperature (storage/transport)	-40 °C ... 80 °C
Degree of protection	IP54

Mechanical properties

Cover mechanism	Self-closing
-----------------	--------------

Protective covers - EV-T2SC-EM - 1627635

Technical data

Mounting

Possible mounting positions	Front mounting, screwed on the front
Required mounting screws	Torx screw 30 x 12 (supplied as standard)

Design

Design line	Easy Mount
Housing color	black
Customer variations	On request

Material

Material	Plastic
-----------------	---------

Environmental Product Compliance

China RoHS	Environmentally friendly use period: unlimited = EFUP-e
China RoHS	No hazardous substances above threshold values

Classifications

eCl@ss

eCl@ss 4.0	272607xx
eCl@ss 4.1	27260701
eCl@ss 5.0	27260701
eCl@ss 5.1	27059110
eCl@ss 6.0	27279220
eCl@ss 7.0	27061801
eCl@ss 8.0	27440208
eCl@ss 9.0	27144792

ETIM

ETIM 2.0	EC000241
ETIM 3.0	EC002061
ETIM 4.0	EC002061
ETIM 5.0	EC002314
ETIM 6.0	EC002839

UNSPSC

UNSPSC 6.01	30211923
UNSPSC 7.0901	39121522
UNSPSC 11	39121522
UNSPSC 12.01	39121522
UNSPSC 13.2	39121522

Accessories

Fixing frame

Protective covers - EV-T2SC-EM - 1627635

Accessories

EV-T2SF-EM - 1627637



Infrastructure socket outlet

EV-T2M3SE12-3AC32A-0,7M6,0E14 - 1627693

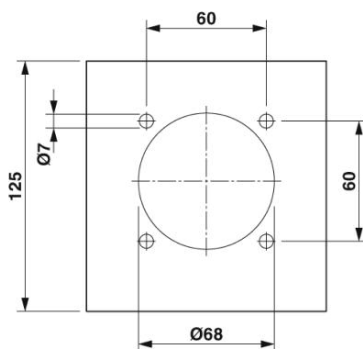


EV-T2M3SE12-3AC32A-0,7M6,0E12 - 1627633



Drawings

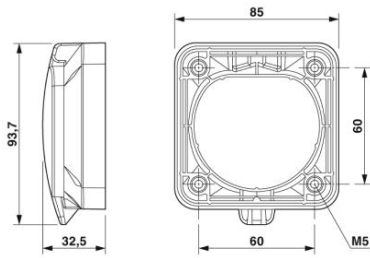
Dimensional drawing



Hole image

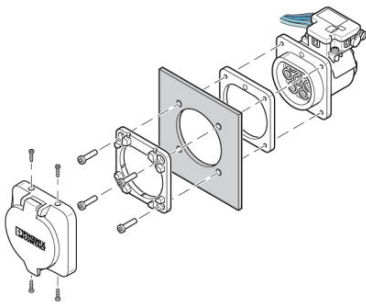
Protective covers - EV-T2SC-EM - 1627635

Dimensional drawing



Dimensional drawing

Schematic diagram



Rear mounting with front hinged cover screw connection

The screw connection for a hinged cover (EV-T2SC-EM) from the accessories range only supports front mounting with a corresponding fixing frame (EV-T2SF-EM). The panel thickness must not exceed 5 mm. The sealing frame that is slid on from the rear must contact the housing wall flush with the flat side and must completely surround the Infrastructure Socket Outlet.

Phoenix Contact 2016 © - all rights reserved
<http://www.phoenixcontact.com>